



COMMERCIAL VEHICLE AUCTIONS LTD
THE UK'S MOST ESTABLISHED COMMERCIAL VEHICLE AUCTIONEERS

Carr Hill Industrial Estate
Doncaster
DN4 8DE

01302 732600 | cva.noreply@cva-auctions.co.uk

VEHICLE INSPECTION REPORT

ML24CZC

Renault Traffic LL30 2.0 DCI 170PS

Inspection		Vehicle	
Serious Damage?	No	VAT	Plus VAT
		V5	Present

Details			
Reg. date	04/03/2024	GVW	1595kg
Year	2024	Colour	BLACK
Mileage	35,551 Miles Not Warranted	VIN	VF1JL000672268835
Fuel Type	Diesel	Body Style	Minibus
		MOT Due	03/03/2027
		Gearbox	AUTOMATIC
		Gears	6

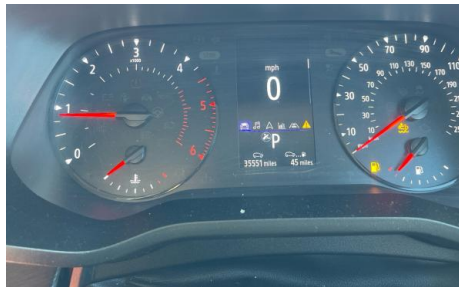
WARNING LIGHT ON DASH AD-BLUE, TWIN SIDE LOADING DOORS, E/MIRRORS

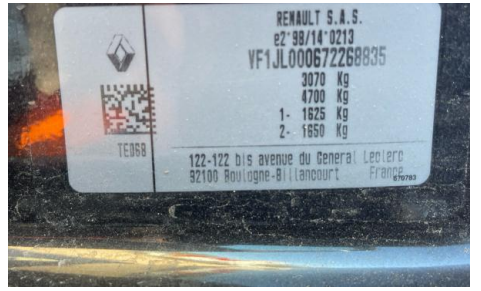
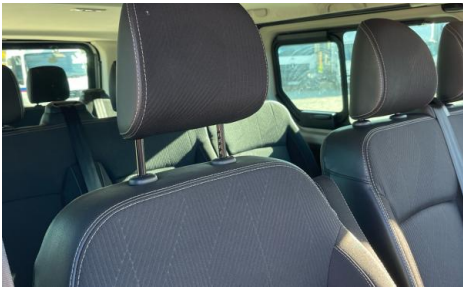
Tyres
NSF
NSR
OSF
OSR
Spare

Features

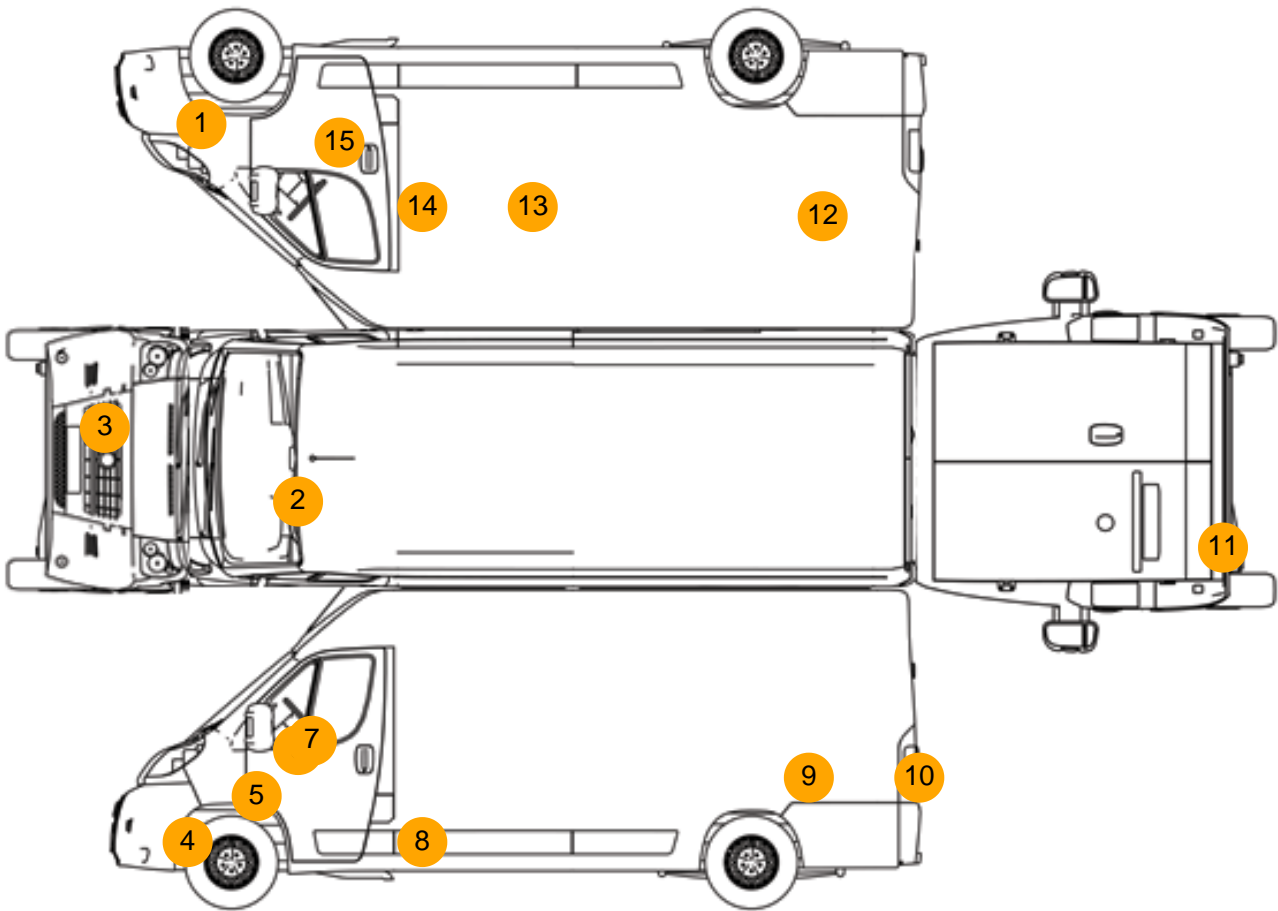
- Navigation system
- Rear parking sensor
- Air conditioning
- Front electric windows

Photos





Condition Check



Damage Photos



1: Bumper Front
Scratched
Over 100mm Thru Paint

2: Screen Front
Chipped
UpTo 10mm



3: Bumper Front
Scratched
UpTo 25mm Thru Paint

4: Bumper Front
Scratched
Over 100mm Thru Paint



5: Wing nsf
Scratched
Over 25mm Not Thru Paint

6: Door Mirror Assy nsf
Scratched (Painted)
Over 25mm Thru Paint



7: Door Mirror Glass ns
Broken
Replace

8: B Post ns
Scratched
UpTo 25mm Thru Paint



9: Qtr Panel nsr
Scratched
Over 25mm Not Thru Paint

10: Qtr Panel nsr
Scratched
Over 25mm Thru Paint



11: Bumper Rear
Dented
Over 2 UpTo 10mm

12: Qtr Panel osr
Scratched
UpTo 25mm Thru Paint



13: Door osr
Dented
With Paint Damage

14: Door osf
Chipped
Edge Chip



15: Door osf
 Scratched
 Over 25mm Not Thru Paint

Interior

Carpet Condition	OK	Upholstery Condition	OK
Seat Condition	OK	Odour	No
Engine Runs	OK	Gearbox 1st and Reverse Test	OK
Brakes	OK	Clutch Slip Test from Static	OK
Parking Brake	OK	Gearbox Static Gear Selection (engine running)	OK
		No Excessive Smoking	OK
EML light illuminated	OK	Oil warning light illuminated	OK
Airbag light illuminated	OK	DPF light illuminated	Fault
ABS light illuminated	OK	Service indicator light illuminated	OK