



COMMERCIAL VEHICLE AUCTIONS LTD
THE UK'S MOST ESTABLISHED COMMERCIAL VEHICLE AUCTIONEERS

Carr Hill Industrial Estate
Doncaster
DN4 8DE

01302 732600 | cva.noreply@cva-auctions.co.uk

VEHICLE INSPECTION REPORT

BP73XGL

Ford Transit Custom 300 2.0 ECOBLUE 136PS LIMITED

| Inspection | | Vehicle | |
|-----------------|----|---------|----------|
| Serious Damage? | No | VAT | Plus VAT |
| | | V5 | Present |

Details

| | | | | | |
|-----------|---------------------------|------------|-------------------|-------------|------------|
| Reg. date | 29/12/2023 | Colour | GREY | CAP Average | £17,450.00 |
| Year | 2023 | VIN | WF0RXXTA7RPU68325 | CAP Below | £15,000.00 |
| Mileage | 35,217 Miles Warranted | Body Style | Panel Van L2 | Gearbox | MANUAL |
| Fuel Type | Diesel | MOT Due | 28/12/2026 | Gears | 6 |
| GVW | 3025kg | CAP Clean | £18,800.00 | | |

OUTSTANDING RECALL AD-BLUE, SIDE LOADING DOOR, E/MIRRORS

Tyres

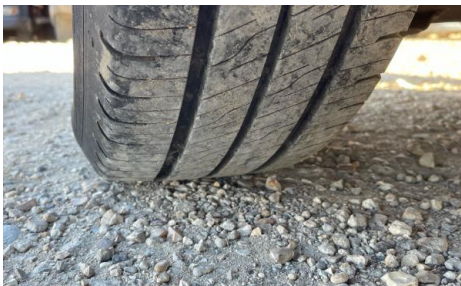
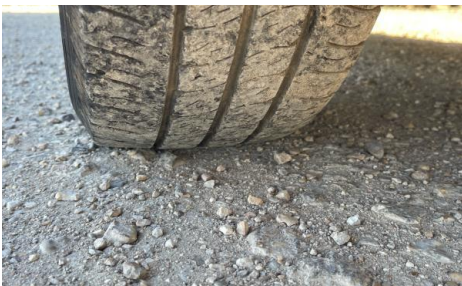
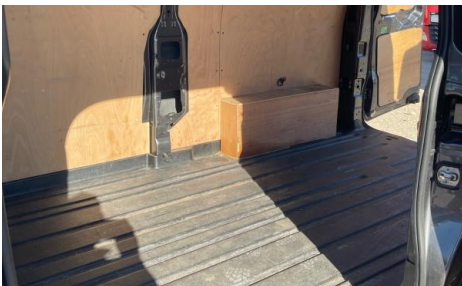
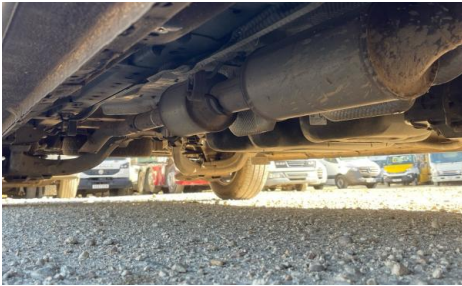
| |
|-------|
| NSF |
| NSR |
| OSF |
| OSR |
| Spare |

Features

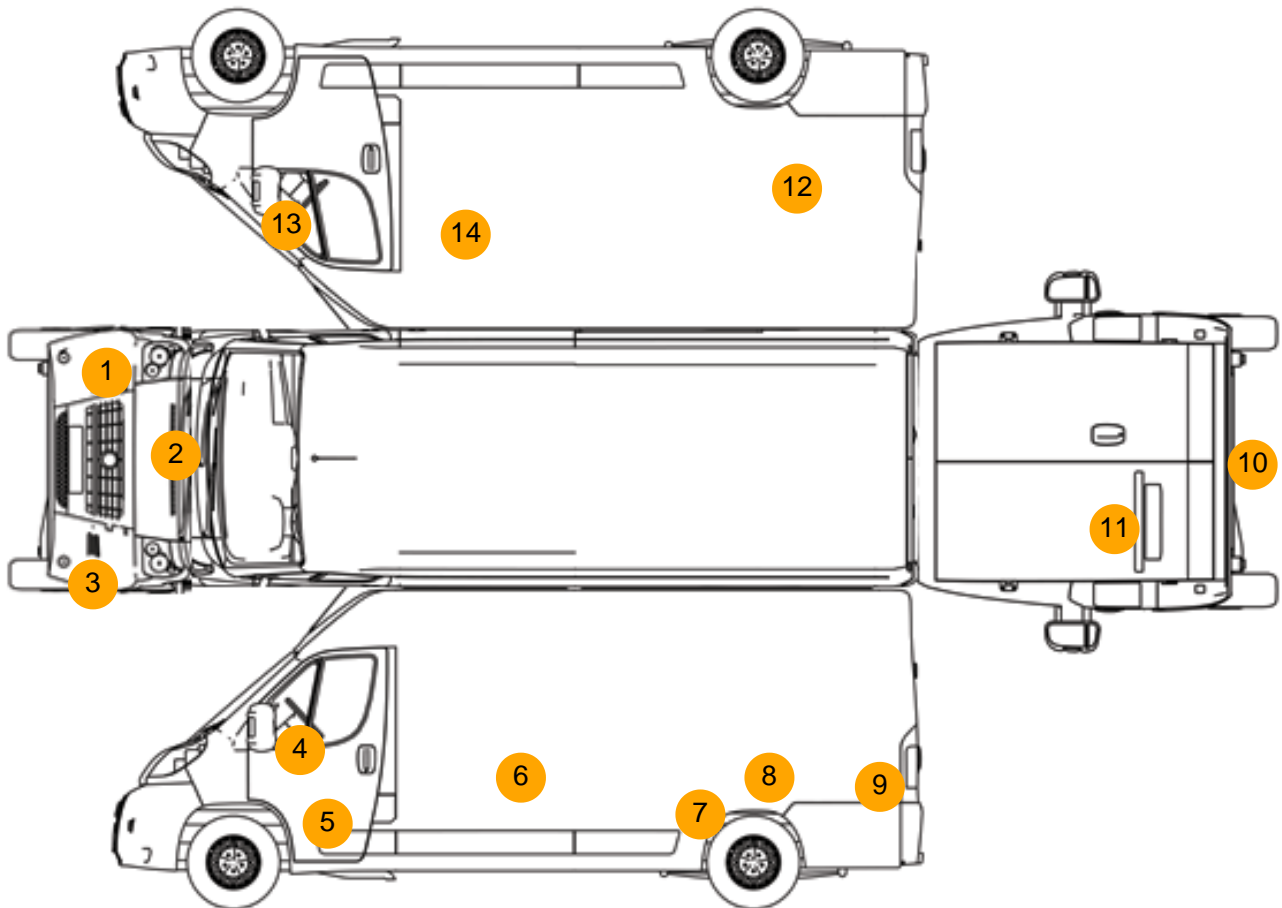
- Front parking sensor
- Front electric windows
- Park assist camera
- Rear parking sensor
- Air conditioning

Photos





Condition Check



Damage Photos



1: Bumper Front
Scratched
Over 100mm Thru Paint

2: Bonnet
Chipped
Multiple Chips



3: Bumper Front
Scratched
Over 100mm Thru Paint

4: Door Mirror Assy nsf
Scratched (Painted)
Over 25mm Thru Paint



5: Door nsf
Scratched
Over 25mm Thru Paint

6: Door nsr
Dented
With Paint Damage



7: Qtr Panel nsr
Scratched
Over 25mm Thru Paint

8: Qtr Panel nsr
Dented
With Paint Damage



9: Qtr Panel nsr
Scratched
Over 25mm Thru Paint

10: Bumper Rear
Scratched
Over 100mm Thru Paint



11: Door nsr
Dented
With Paint Damage

12: Qtr Panel osr
Scratched
Over 25mm Thru Paint



13: Door Mirror Assy osf
Scratched (Painted)
UpTo 25mm Thru Paint

14: Qtr Panel osr
Scratched
Over 25mm Thru Paint

Interior

| | | | |
|--------------------------|----|--|----|
| Carpet Condition | OK | Upholstery Condition | OK |
| Seat Condition | OK | Odour | No |
| Engine Runs | OK | Gearbox 1st and Reverse Test | OK |
| Brakes | OK | Clutch Slip Test from Static | OK |
| Parking Brake | OK | Gearbox Static Gear Selection (engine running) | OK |
| | | No Excessive Smoking | OK |
| EML light illuminated | OK | Oil warning light illuminated | OK |
| Airbag light illuminated | OK | DPF light illuminated | OK |
| ABS light illuminated | OK | Service indicator light illuminated | OK |