



**COMMERCIAL VEHICLE AUCTIONS LTD**  
THE UK'S MOST ESTABLISHED COMMERCIAL VEHICLE AUCTIONEERS

Carr Hill Industrial Estate  
Doncaster  
DN4 8DE

01302 732600 | cva.noreply@cva-auctions.co.uk

# VEHICLE INSPECTION REPORT

**WP21DZE**

## Vauxhall Combo Cargo 2000 1.5 Turbo 100ps

Inspection		Vehicle	
Serious Damage?	No	VAT	Plus VAT
		V5	To Follow

Details					
Reg. date	19/08/2021	Colour	WHITE	CAP Average	£5,125.00
Year	2021	VIN	W0VEFYHYCLJ955288	CAP Below	£4,200.00
Mileage	112,108 Km Not Showing	Body Style	Panel Van L1	Gearbox	MANUAL
Fuel Type	Diesel	MOT Due	01/07/2026	Gears	5
GVW	1975kg	CAP Clean	£5,750.00	Axle Combi	4x2

\*WARNING LIGHTS ON DASH\* AD-BLUE, SIDE LOAD DOOR, E/ MIRRORS

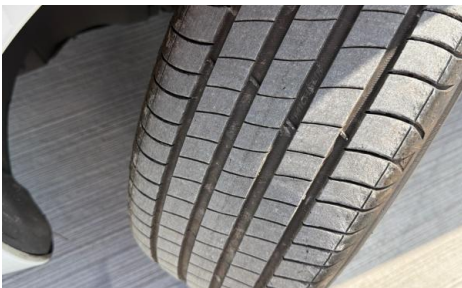
Tyres	
NSF	
NSR	
OSF	
OSR	
Spare	

## Features

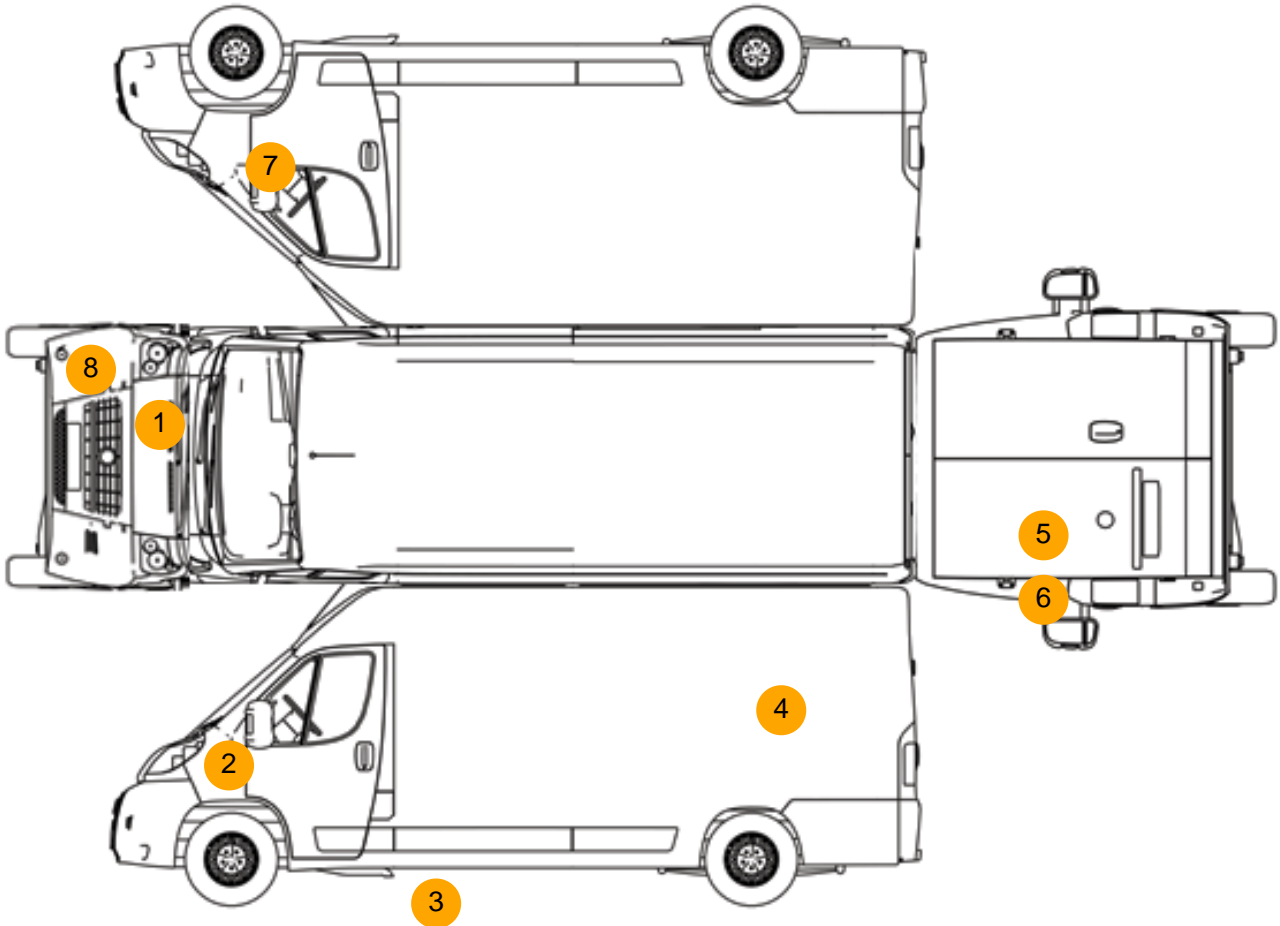
- Bluetooth connection
- Digital radio
- Central locking
- Cruise control
- Air conditioning
- Cloth seat trim
- Park assist camera
- Front electric windows
- Rear parking sensor
- Drivers airbag

## Photos





## Condition Check



## Damage Photos



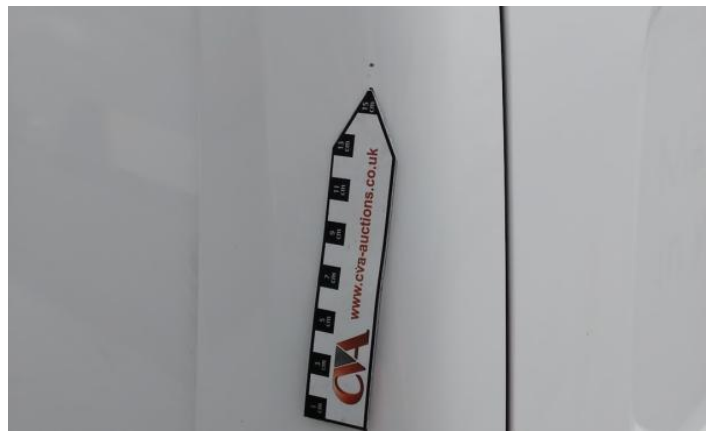
1: Bonnet  
Chipped  
Multiple Chips

2: Wing nsf  
Chipped  
1 To 5



3: Sill ns  
Dented  
Over 30mm

4: Qtr Panel nsr  
Scratched  
Over 25mm Thru Paint



5: Door nsr  
Scratched  
Over 25mm Thru Paint

6: Panel Rear  
Chipped  
1 To 5



7: Wing osf  
Scratched  
Over 25mm Not Thru Paint

8: Bumper Front  
Scratched  
Over 25mm Not Thru Paint



9: Dash Warning Lights  
 Displayed  
 No Action

**Interior**

<b>Carpet Condition</b>	OK	<b>Upholstery Condition</b>	OK
<b>Seat Condition</b>	OK	<b>Odour</b>	-
Engine Runs	OK	Gearbox 1st and Reverse Test	OK
Brakes	OK	Gearbox Static Gear Selection (engine running)	OK
Parking Brake	OK	No Excessive Smoking	OK
EML light illuminated	Fault	DPF light illuminated	Fault
ABS light illuminated	OK	Service indicator light illuminated	Fault