



**COMMERCIAL VEHICLE AUCTIONS LTD**  
THE UK'S MOST ESTABLISHED COMMERCIAL VEHICLE AUCTIONEERS

Carr Hill Industrial Estate  
Doncaster  
DN4 8DE

01302 732600 | cva.noreply@cva-auctions.co.uk

# VEHICLE INSPECTION REPORT

**SJ74VGK**

## Maxus Deliver 9 2.0 D20 150

Inspection		Vehicle	
Serious Damage?	No	VAT	Plus VAT
		V5	Buyer To Apply

Details					
Reg. date	07/10/2024	Colour	WHITE	CAP Average	£11,350.00
Year	2024	VIN	LSH14J7C4RA073068	CAP Below	£10,000.00
Mileage	45,776 Miles Warranted	Body Style	Fridge Box MWB	Gearbox	MANUAL
Fuel Type	Diesel	MOT Due	06/10/2027	Gears	6
GVW	3500kg	CAP Clean	£12,000.00		

\*WARNING LIGHT ON DASH\* THERMOKING V200 MAX FRIDGE UNIT, SIDE LOAD DOOR, AD-BLUE.

Tyres
NSF
NSR
OSF
OSR
Spare

## Features

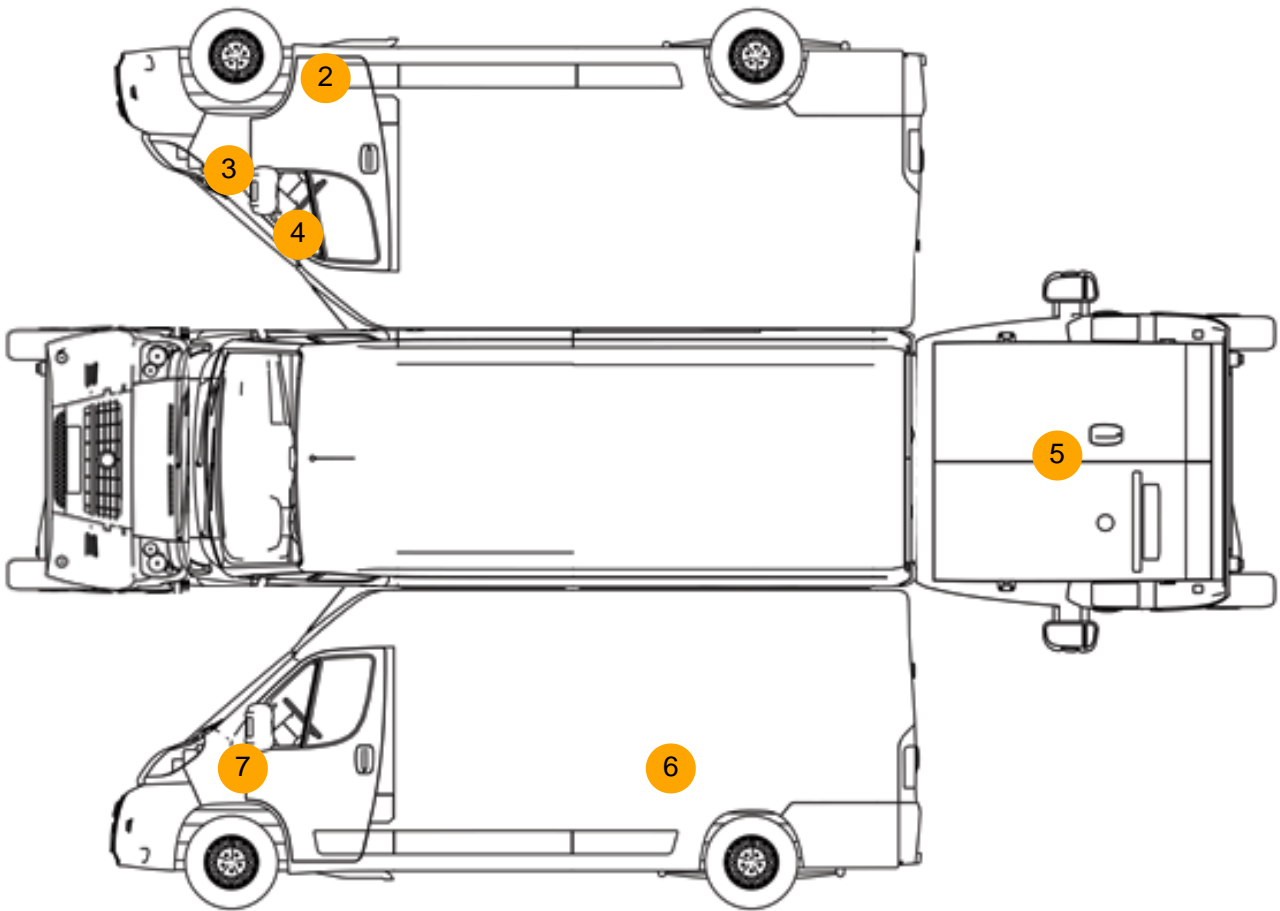
- Rear parking sensor
- Radio/CD
- Front electric windows
- Central locking

## Photos





## Condition Check



## Damage Photos



1: Carpets Front  
Holed  
Over 3mm

2: Sill os  
Scratched  
Over 25mm Thru Paint



3: Wing osf  
Dented  
With Paint Damage

4: Flasher Side Repeater os  
Broken  
Replace



5: Tailgate  
Dented  
With Paint Damage

6: Qtr Panel nsr  
Dented  
Over 30mm



7: Wing nsf  
Dented  
Over 30mm

## Interior

<b>Carpet Condition</b>	Average	<b>Upholstery Condition</b>	Average
<b>Seat Condition</b>	Average	<b>Odour</b>	No
Engine Runs	OK	Gearbox 1st and Reverse Test	OK
Brakes	Fault	Clutch Slip Test from Static	OK
Turbo Boosting	OK	Gearbox Static Gear Selection (engine running)	OK
Parking Brake	OK	No Excessive Smoking	OK
EML light illuminated	OK	Oil warning light illuminated	OK
Airbag light illuminated	OK	DPF light illuminated	OK
ABS light illuminated	Fault	Service indicator light illuminated	OK
Windows	OK	Radio	OK
		Steering	OK