



COMMERCIAL VEHICLE AUCTIONS LTD
THE UK'S MOST ESTABLISHED COMMERCIAL VEHICLE AUCTIONEERS

Carr Hill Industrial Estate
Doncaster
DN4 8DE

01302 732600 | cva.noreply@cva-auctions.co.uk

VEHICLE INSPECTION REPORT

YA17UAE

Ford Transit Custom 290 2.0 TDCi 105ps

Inspection		Vehicle	
Serious Damage?	No	VAT	Plus VAT
		V5	Present

Details					
Reg. date	21/06/2017	Colour	WHITE	CAP Average	£3,875.00
Year	2017	VIN	WF0YXTTGYHM18669	CAP Below	£2,875.00
Mileage	66,417 Miles Warranted	Body Style	Panel Van L1	Gearbox	MANUAL
Fuel Type	Diesel	MOT Due	28/02/2027	Gears	6
GVW	2940kg	CAP Clean	£4,675.00		

TWIN SIDE LOAD DOOR, E/MIRRORS, AD-BLUE, DEAD LOCKS

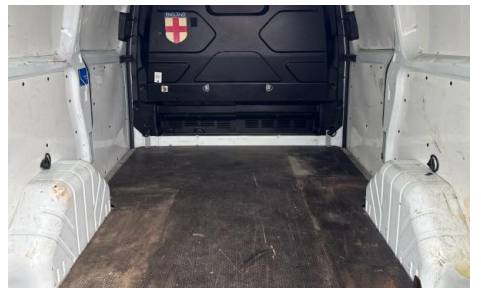
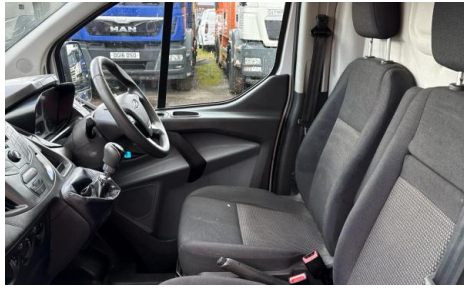
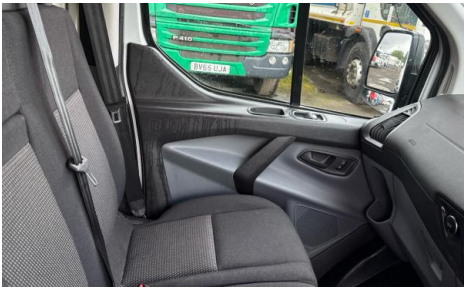
Tyres
NSF
NSR
OSF
OSR
Spare

Features

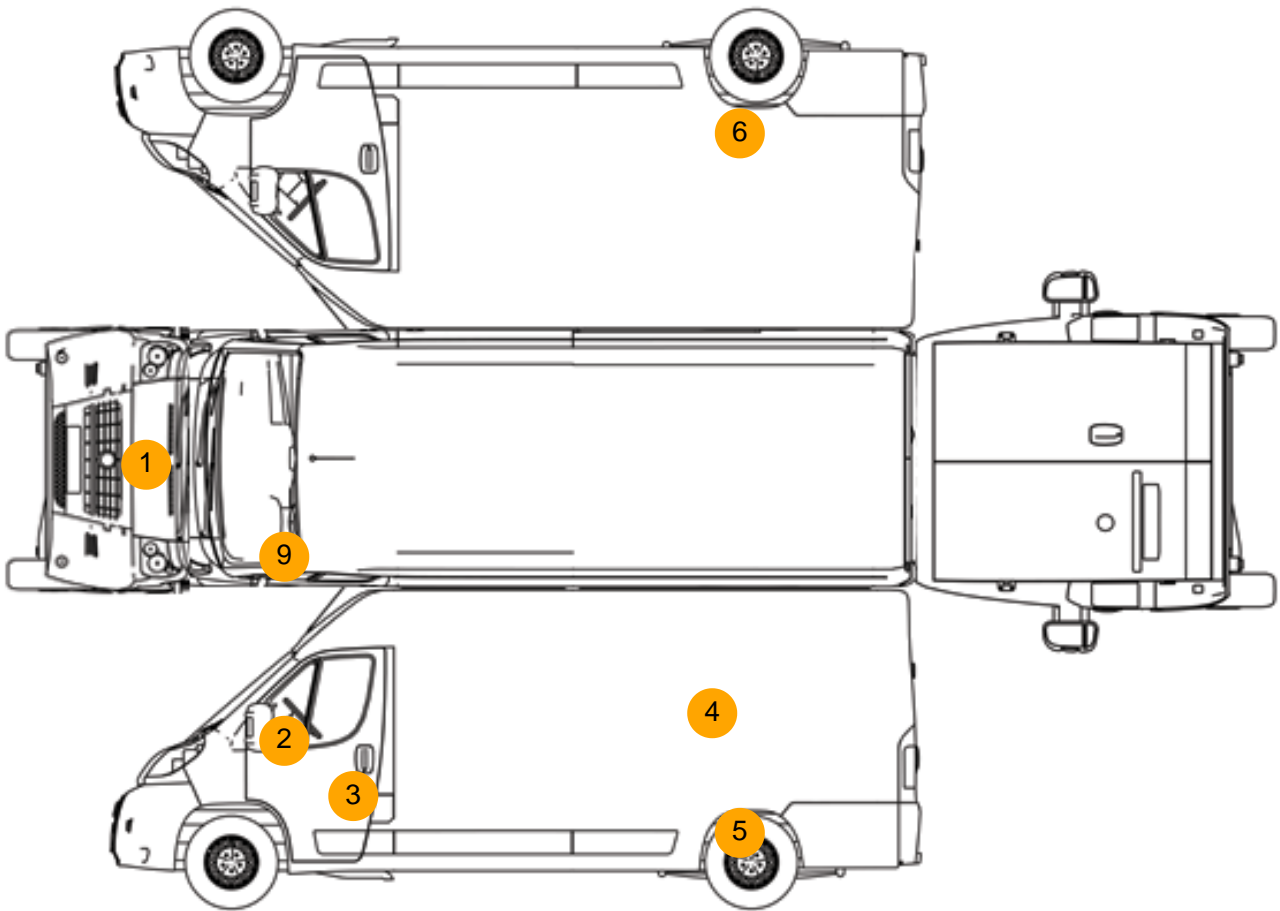
- Bluetooth connection
- Digital radio
- Passenger airbag
- Front parking sensor
- Air conditioning
- Central locking
- Rear parking sensor
- Front electric windows
- Cloth seat trim
- Auxiliary input socket
- Drivers airbag

Photos





Condition Check



Damage Photos



1: Bonnet
Chipped
Multiple Chips

2: Door Mirror Assy nsf
Scuffed (Unpainted)
Over 100mm



3: Door nsf
Dented
Over 30mm

4: Qtr Panel nsr
Scratched
Over 25mm Not Thru Paint



5: Qtr Panel nsr
Dented
With Paint Damage

6: Qtr Panel osr
Dented
With Paint Damage



7: Door Pad osf
Scuffed
Over 25mm

8: Seat Base Cover osf
Soiled
Heavy



9: Screen Front
 Chipped
 Over 10mm

Interior

Carpet Condition	OK	Upholstery Condition	Poor
Seat Condition	Poor	Odour	No
Engine Runs	OK	No Excessive Smoking	OK
EML light illuminated	OK	DPF light illuminated	OK
ABS light illuminated	OK		