



COMMERCIAL VEHICLE AUCTIONS LTD
THE UK'S MOST ESTABLISHED COMMERCIAL VEHICLE AUCTIONEERS

Carr Hill Industrial Estate
Doncaster
DN4 8DE

01302 732600 | cva.noreply@cva-auctions.co.uk

VEHICLE INSPECTION REPORT

YC20SVF

Ford Transit Connect 240 1.5 EcoBlue 100ps

Inspection		Vehicle	
Serious Damage?	No	VAT	Plus VAT
		V5	Present

Details					
Reg. date	25/03/2020	Colour	WHITE	CAP Average	£5,500.00
Year	2020	VIN	WF0SXXWPGSLB76687	CAP Below	£4,400.00
Mileage	66,485 Miles Warranted	Body Style	Panel Van L2	Gearbox	MANUAL
Fuel Type	Diesel	MOT Due	16/01/2027	Gears	6
GVW	2405kg	CAP Clean	£6,250.00		

SIDE LOAD DOOR, E/MIRRORS, AD-BLUE

Tyres
NSF
NSR
OSF
OSR
Spare

Features

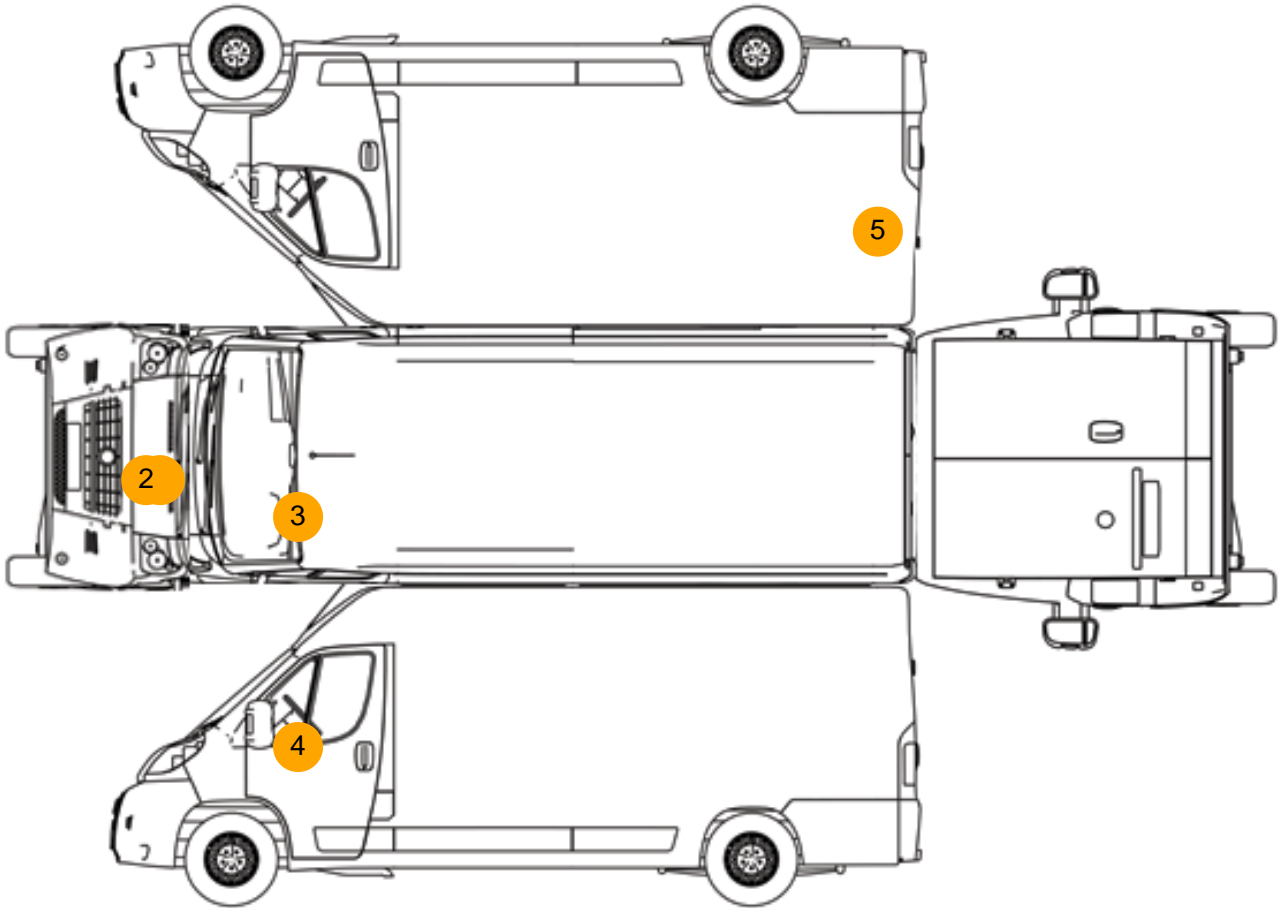
- Bluetooth connection
- Digital radio
- Passenger airbag
- Front parking sensor
- Air conditioning
- Central locking
- Rear parking sensor
- Front electric windows
- Cloth seat trim
- Auxiliary input socket
- Drivers airbag

Photos





Condition Check



Damage Photos



1: Bonnet
Chipped
Multiple Chips



2: Panel Front
Scratched
Over 25mm Not Thru Paint



3: Screen Front
Chipped
Over 10mm

4: Door Mirror Assy nsf
Scuffed (Unpainted)
Over 100mm



5: Qtr Panel osr
Chipped
Multiple Chips

Interior

Carpet Condition
Seat Condition

OK
OK

Upholstery Condition
Odour

OK
No

Engine Runs	OK	No Excessive Smoking	OK
EML light illuminated	OK	DPF light illuminated	OK
ABS light illuminated	OK		