



COMMERCIAL VEHICLE AUCTIONS LTD
THE UK'S MOST ESTABLISHED COMMERCIAL VEHICLE AUCTIONEERS

Carr Hill Industrial Estate
Doncaster
DN4 8DE

01302 732600 | cva.noreply@cva-auctions.co.uk

VEHICLE INSPECTION REPORT

YA17TXW

Ford Transit Custom 290 2.0 TDCi 105ps

Inspection		Vehicle	
Serious Damage?	No	VAT	Plus VAT
		V5	Present

Details					
Reg. date	21/06/2017	Colour	WHITE	CAP Average	£2,875.00
Year	2017	VIN	WF0YXTTGYHM18645	CAP Below	£2,125.00
Mileage	120,160 Miles Warranted	Body Style	Panel Van L1	Gearbox	MANUAL
Fuel Type	Diesel	MOT Due	26/06/2026	Gears	6
GVW	2940kg	CAP Clean	£3,450.00		

TWIN SIDE LOAD DOOR, E/MIRRORS, AD-BLUE, DEADLOCKS

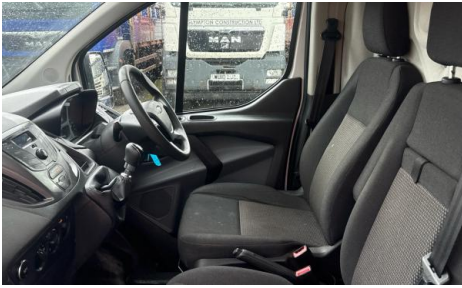
Tyres	
NSF	
NSR	
OSF	
OSR	
Spare	

Features

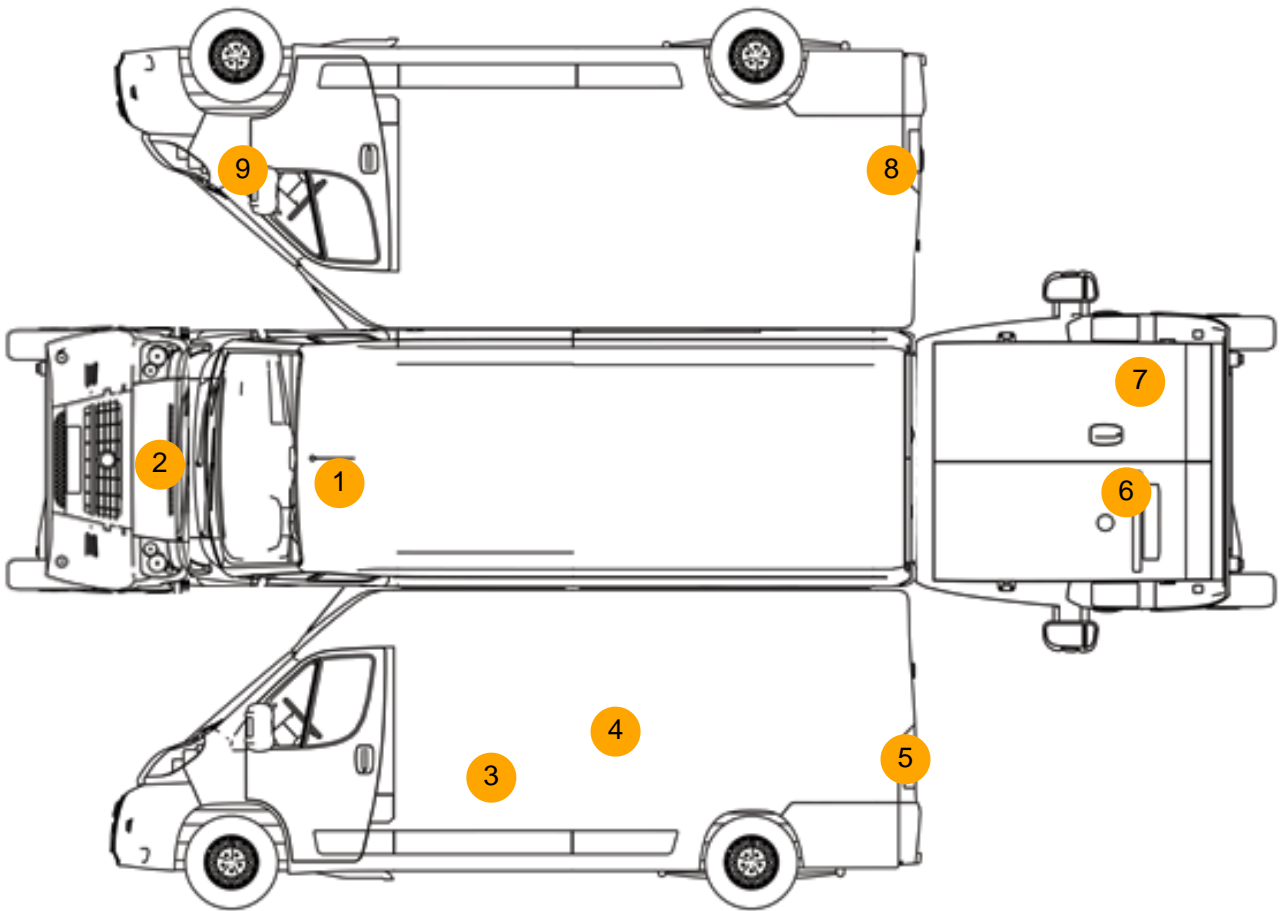
- Bluetooth connection
- Digital radio
- Passenger airbag
- Front parking sensor
- Air conditioning
- Central locking
- Rear parking sensor
- Front electric windows
- Cloth seat trim
- Auxiliary input socket
- Drivers airbag

Photos





Condition Check



Damage Photos



1: Roof
Chipped
Multiple Chips

2: Bonnet
Chipped
Multiple Chips



3: Qtr Panel nsr
Dented
With Paint Damage

4: Qtr Panel nsr
Dented
Over 30mm



5: Qtr Panel nsr
Dented
With Paint Damage

6: Door nsr
Dented
With Paint Damage



7: Door osr
Dented
With Paint Damage

8: Qtr Panel osr
Dented
With Paint Damage



9: Wing osf
Dented
Over 30% Of Panel

10: Door Pad osf
Scuffed
Over 25mm



11: Seat Base Cover osf
Soiled
Heavy

Interior

Carpet Condition	OK	Upholstery Condition	Poor
Seat Condition	Poor	Odour	No
Engine Runs	OK	No Excessive Smoking	OK
EML light illuminated	OK	DPF light illuminated	OK
ABS light illuminated	OK		