



**COMMERCIAL VEHICLE AUCTIONS LTD**  
THE UK'S MOST ESTABLISHED COMMERCIAL VEHICLE AUCTIONEERS

Carr Hill Industrial Estate  
Doncaster  
DN4 8DE

01302 732600 | cva.noreply@cva-auctions.co.uk

# VEHICLE INSPECTION REPORT

**YH20LUL**

## Ford Transit Connect 240 1.5 EcoBlue 100ps

Inspection		Vehicle	
Serious Damage?	No	VAT	Plus VAT
		V5	Present

Details					
Reg. date	25/03/2020	Colour	WHITE	CAP Average	£5,400.00
Year	2020	VIN	WF0SXXWPGSLB01163	CAP Below	£4,325.00
Mileage	69,457 Miles Warranted	Body Style	Panel Van L2	Gearbox	MANUAL
Fuel Type	Diesel	MOT Due	03/12/2026	Gears	6
GVW	2405kg	CAP Clean	£6,150.00		

\*CRACK ON WINDSCREEN\* TWIN SIDE LOAD DOOR, E/MIRRORS, HEATED WINDSCREEN, AD- BLUE, V5 NEW KEEPER DOCUMENT REFERENCE NUMBER AVAILABLE FOR TAXATION PURPOSES

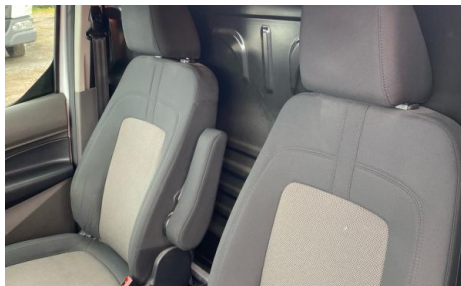
Tyres
NSF
NSR
OSF
OSR
Spare

## Features

- Bluetooth connection
- Digital radio
- Passenger airbag
- Front parking sensor
- Air conditioning
- Central locking
- Rear parking sensor
- Front electric windows
- Cloth seat trim
- Auxiliary input socket
- Drivers airbag

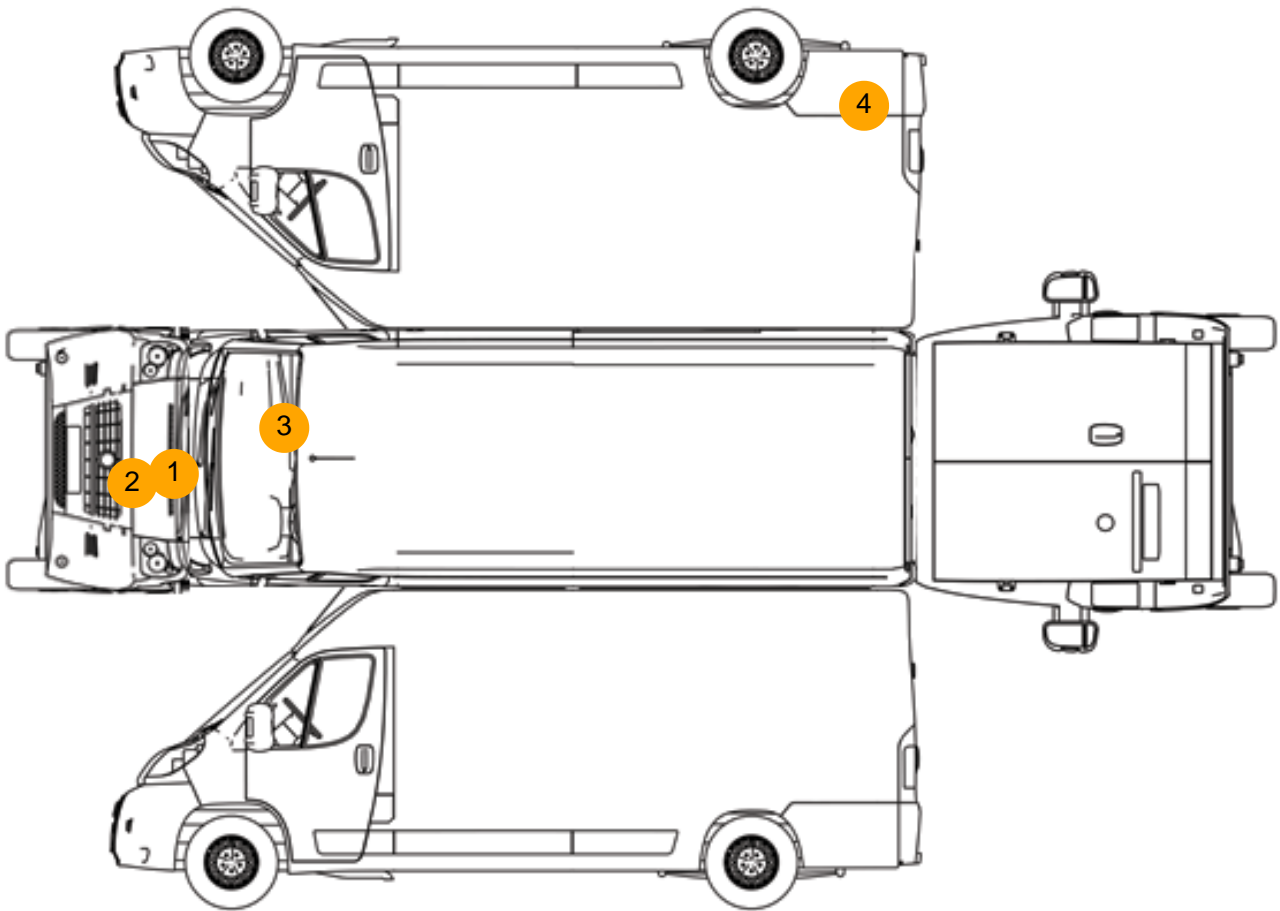
## Photos







## Condition Check



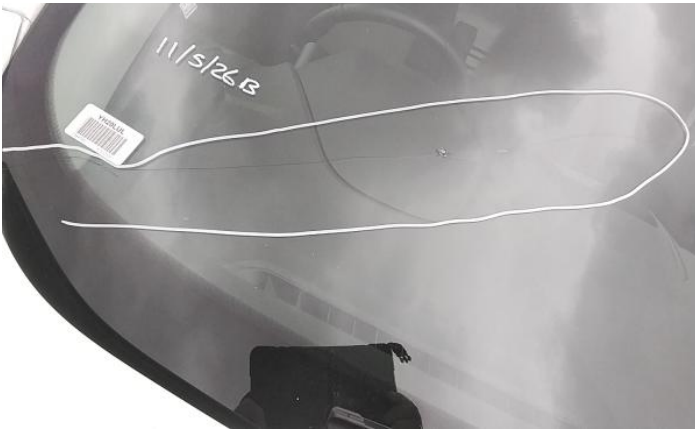
## Damage Photos



1: Bonnet  
Chipped  
Multiple Chips



2: Panel Front  
Chipped  
Multiple Chips



3: Screen Front  
Cracked  
Replace

4: Qtr Panel Moulding os  
Broken  
Replace



5: Carpets Front  
Holed  
Over 3mm

**Interior**

Carpet Condition	Poor	Upholstery Condition	OK
Seat Condition	OK	Odour	No
Engine Runs	OK	No Excessive Smoking	OK
EML light illuminated	OK	DPF light illuminated	OK
ABS light illuminated	OK		