



COMMERCIAL VEHICLE AUCTIONS LTD
THE UK'S MOST ESTABLISHED COMMERCIAL VEHICLE AUCTIONEERS

Carr Hill Industrial Estate
Doncaster
DN4 8DE

01302 732600 | cva.noreply@cva-auctions.co.uk

VEHICLE INSPECTION REPORT

YB17KKZ

Ford Transit Custom 290 2.0 TDCi 105p

Inspection		Vehicle	
Serious Damage?	No	VAT	Plus VAT
		V5	Present

Details			
Reg. date	21/06/2017	Colour	WHITE
Year	2017	VIN	WF0YXTTGYHM20610
Mileage	111,730 Miles Warranted	Body Style	Panel Van L1
Fuel Type	Diesel	MOT Due	09/03/2027
GVW	2940kg	CAP Clean	£3,600.00
		CAP Average	£3,000.00
		CAP Below	£2,225.00
		Gearbox	MANUAL
		Gears	6

TWIN SIDE LOAD DOOR, E/MIRRORS, HEATD WINDSCREEN, AD-BLUE

Tyres	
NSF	
NSR	
OSF	
OSR	
Spare	

Features

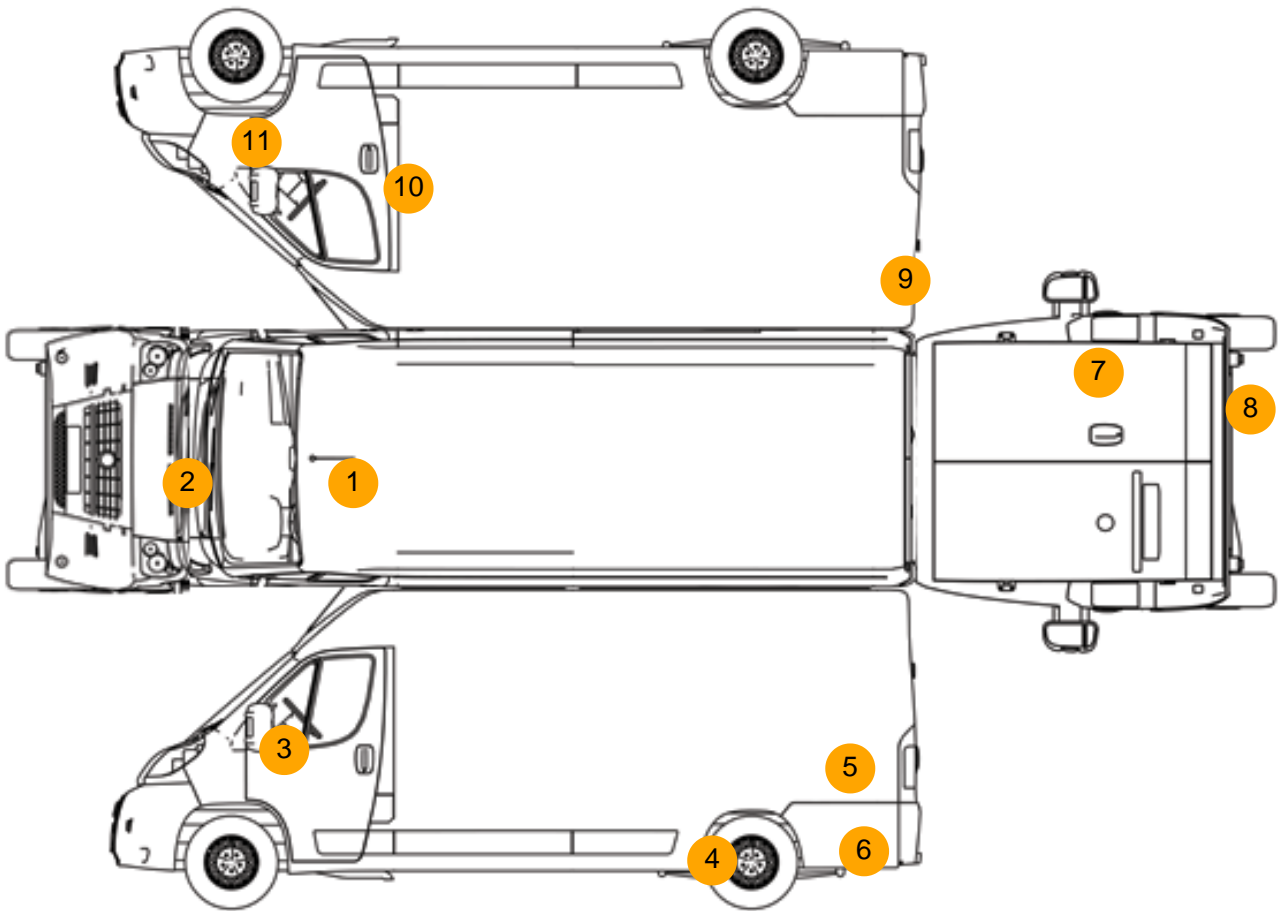
- Bluetooth connection
- Digital radio
- Passenger airbag
- Front parking sensor
- Air conditioning
- Central locking
- Rear parking sensor
- Front electric windows
- Cloth seat trim
- Auxiliary input socket
- Drivers airbag

Photos





Condition Check



Damage Photos



1: Roof
Chipped
Multiple Chips

2: Bonnet
Chipped
Multiple Chips



3: Door Mirror Assy nsf
Scuffed (Unpainted)
Over 100mm

4: Qtr Panel nsr
Dented
Over 30mm



5: Qtr Panel nsr
Dented
With Paint Damage

6: Qtr Panel Moulding ns
Scuffed (Unpainted)
Over 100mm



7: Door osr
Dented
Over 30% Of Panel

8: Bumper Rear
Cracked
Over 25mm



9: Qtr Panel osr
Dented
With Paint Damage

10: Door osf
Chipped
Multiple Chips



11: Wing osf
Scratched
Over 25mm Thru Paint

12: Seat Base Cover osf
Soiled
Heavy



13: Seat Base Cover nsf
Soiled
Heavy

Interior

Carpet Condition
Seat Condition

OK
Poor

Upholstery Condition
Odour

OK
No

Engine Runs	OK	No Excessive Smoking	OK
EML light illuminated	OK	DPF light illuminated	OK
ABS light illuminated	OK		