



COMMERCIAL VEHICLE AUCTIONS LTD
THE UK'S MOST ESTABLISHED COMMERCIAL VEHICLE AUCTIONEERS

Carr Hill Industrial Estate
Doncaster
DN4 8DE

01302 732600 | cva.noreply@cva-auctions.co.uk

VEHICLE INSPECTION REPORT

KX16FFA

Volvo FH 460

Inspection		Vehicle	
Serious Damage?	No	VAT	Plus VAT
		V5	Buyer To Apply

Details					
Reg. date	17/03/2016	VIN	YV2RTY0C8GB764996	Axle Combi	6x2
Year	2016	Body Style	Tractor Unit	Steering Combi	Mid-Lift
Mileage	994,775 Km Not Warranted	MOT Due	30/09/2026	Rear Suspension	Air
Fuel Type	Diesel	Cab Type	GLOBETROTTER CAB		
Colour	MULTI-COLOURED	Gearbox	AUTOMATIC		

WARNING LIGHT ON DASH SURROUND CAMERA SYSTEM, SINGLE LINE PTO HYDRAULICS

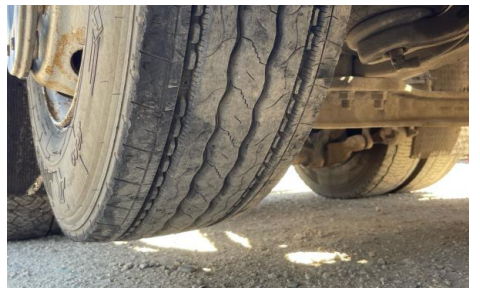
Tyres				
NSF	NSI1	NSI2	NSI3	NSI4
OSF	OSI1	OSI2	OSI3	OSI4
Spare	NSO1	NSO2	NSO3	NSO4
	OSO1	OSO2	OSO3	OSO4

Features

- Air conditioning

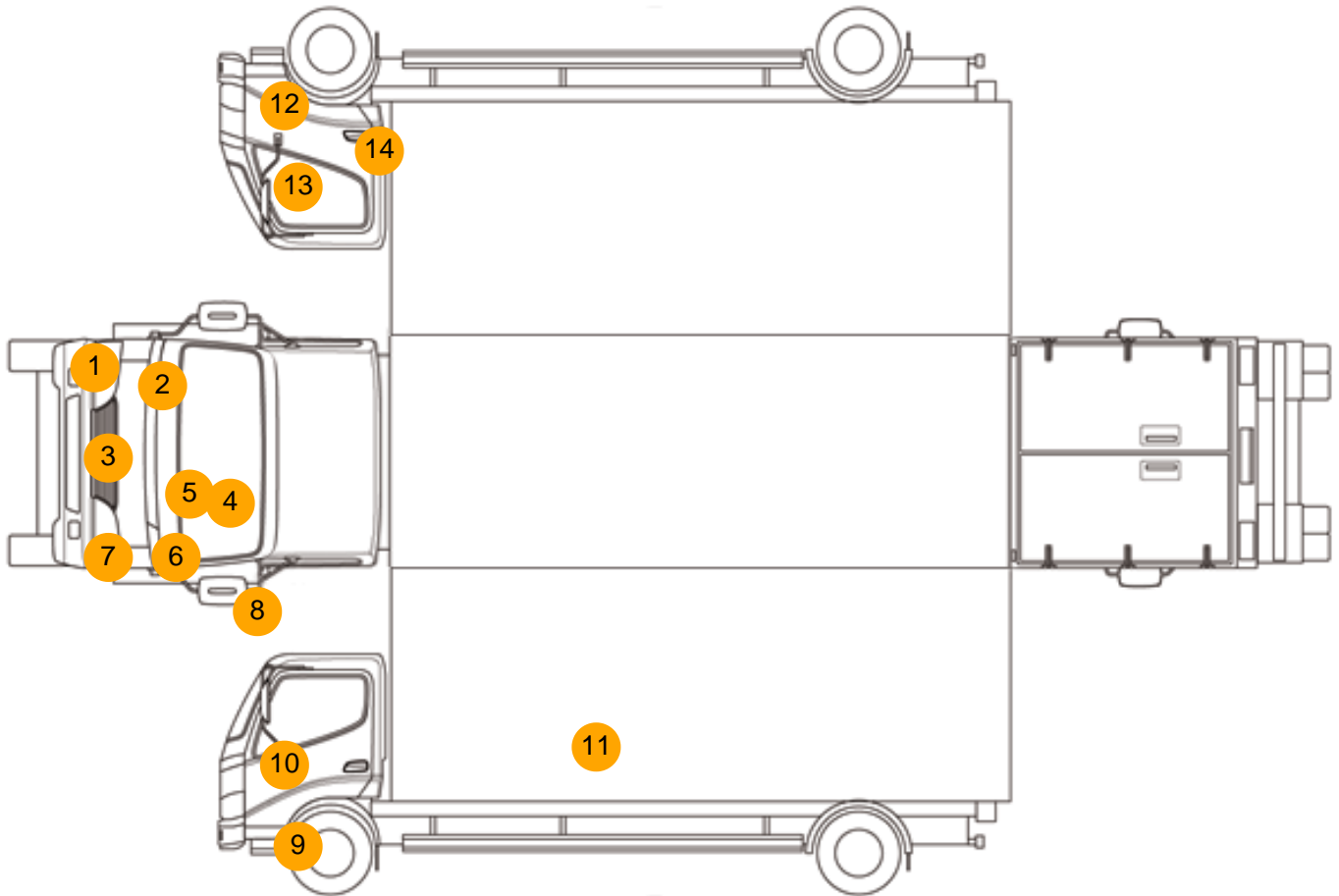
Photos







Condition Check



Damage Photos



1: Bumper Front
Cracked
Over 25mm

2: Wing osf
Scratched
Over 25mm Thru Paint



3: Bumper Front
Chipped
Multiple Chips



4: Screen Front
Chipped
Up To 10mm



5: Bonnet
Chipped
Multiple Chips



6: Wing nsf
Cracked
Replace



7: Bumper Front
Scratched
25 to 100mm Thru Paint

8: Door Mirror Assy nsf
Missing
Replace



9: Wing Front Arch Extension ns
Scratched (Painted)
UpTo 25mm Thru Paint

10: Flasher Side Repeater ns
Missing
Replace



11: Qtr Panel nsr
Scratched
Over 25mm Thru Paint

12: Wing osf
Scratched
UpTo 25mm Thru Paint



13: Flasher Side Repeater os
Broken
Replace

14: Door osf
Scratched
UpTo 25mm Not Thru Paint



15: Seat Base Cover osf
 Holed
 Over 3mm

16: Handle Inner osf
 Damaged
 Replace

Interior

Carpet Condition	Average	Upholstery Condition	Average
Seat Condition	Average	Odour	-
Engine Runs	OK	Gearbox 1st and Reverse Test	OK
Brakes	OK	Clutch Slip Test from Static	OK
Parking Brake	OK	Gearbox Static Gear Selection (engine running)	OK
		No Excessive Smoking	OK
EML light illuminated	OK	Oil warning light illuminated	OK
Airbag light illuminated	OK	DPF light illuminated	OK
ABS light illuminated	OK	Service indicator light illuminated	OK