



**COMMERCIAL VEHICLE AUCTIONS LTD**  
THE UK'S MOST ESTABLISHED COMMERCIAL VEHICLE AUCTIONEERS

Carr Hill Industrial Estate  
Doncaster  
DN4 8DE

01302 732600 | cva.noreply@cva-auctions.co.uk

# VEHICLE INSPECTION REPORT

**PK21CKV**

## Fiat Ducato 35 2.3 Multijet 140ps

### Inspection

Serious Damage? No

### Vehicle

VAT Plus VAT

V5 Present

### Details

Reg. date	11/05/2021	VIN	ZFA25000002P66695	Cab Type	CREW CAB
Year	2021	Body Style	Dropside L3	Gearbox	MANUAL
Mileage	110,173 Miles Warranted	MOT Due	Expired	Gears	6
Fuel Type	Diesel	CAP Clean	£5,250.00	Axle Combi	4x2
GVW	3500kg	CAP Average	£4,675.00	Tail Lift	Column
Colour	WHITE & GREEN	CAP Below	£3,850.00		

\*LIMP MODE, WARNING LIGHT ON DASH\* AD-BLUE, TOW BAR, E/ MIRRORS

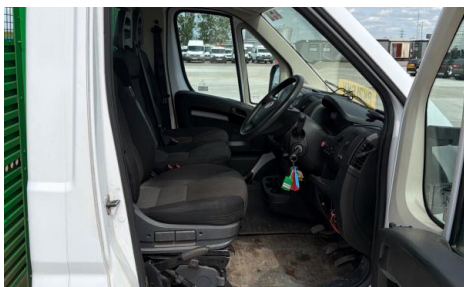
### Tyres

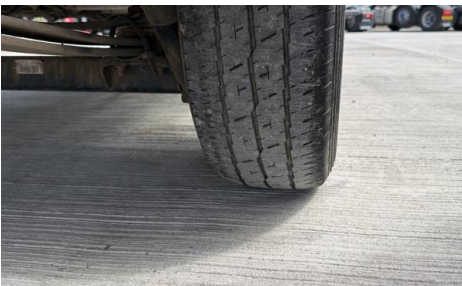
NSF
NSR
OSF
OSR
Spare

## Features

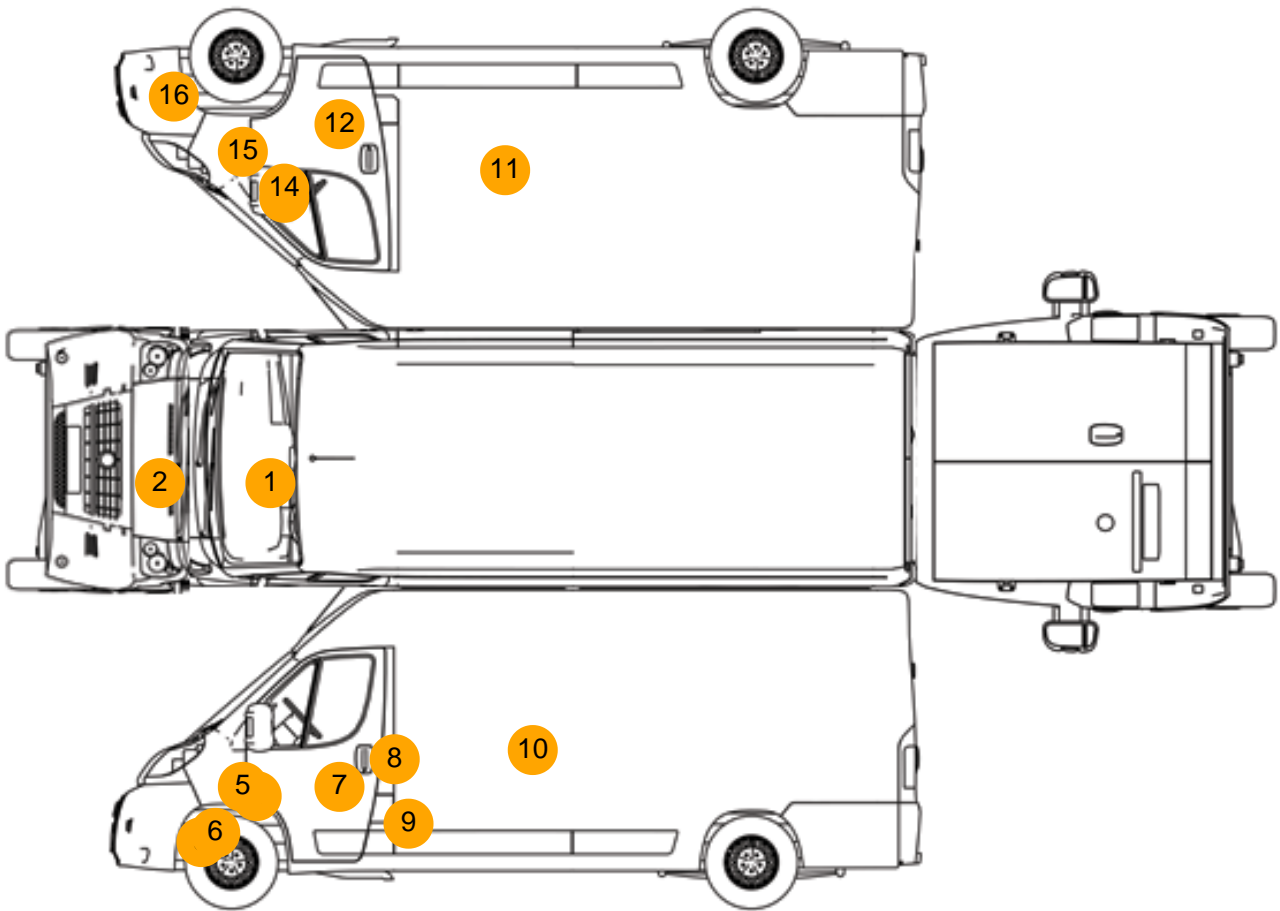
- Bluetooth connection
- Front electric windows
- Park assist camera
- Drivers airbag
- Radio/CD
- Central locking
- Air conditioning
- Cloth seat trim

## Photos





## Condition Check



## Damage Photos



1: Screen Front  
Cracked  
Replace

2: Bonnet  
Chipped  
Multiple Chips



3: Bumper Front  
Scratched  
Over 100mm Thru Paint

4: Wing nsf  
Chipped  
Multiple Chips



5: Wing nsf  
Scratched  
Over 25mm Thru Paint

6: Bumper Front  
Scratched  
Over 100mm Thru Paint



7: Door nsf  
Scratched  
Over 25mm Thru Paint

8: Door nsf  
Scratched  
Over 25mm Thru Paint



9: Fuel Flap  
Scratched  
Over 25mm Thru Paint



10: Qtr Panel nsr  
Scratched  
Over 25mm Thru Paint



11: Qtr Panel osr  
Scratched  
Over 25mm Thru Paint



12: Door osf  
Chipped  
Multiple Chips



13: Handle Outer osf  
Missing  
Replace



14: Door Mirror Assy osf  
Broken  
Replace



15: Wing osf  
Scratched  
Over 25mm Thru Paint



16: Bumper Front  
Scratched  
Over 100mm Thru Paint



17: Fascia Panel  
Missing  
Replace



18: Carpets Front  
Holed  
Over 3mm



19: Fascia Trim  
Missing  
Replace



20: Dash Warning Lights  
Displayed  
No Action

## Interior

<b>Carpet Condition</b>	Poor	<b>Upholstery Condition</b>	OK
<b>Seat Condition</b>	OK	<b>Odour</b>	-
Engine Runs	OK	Gearbox 1st and Reverse Test	OK
Brakes	OK	Gearbox Static Gear Selection (engine running)	OK
Parking Brake	OK	No Excessive Smoking	OK
EML light illuminated	Fault	DPF light illuminated	OK
ABS light illuminated	OK		