



**COMMERCIAL VEHICLE AUCTIONS LTD**  
THE UK'S MOST ESTABLISHED COMMERCIAL VEHICLE AUCTIONEERS

Carr Hill Industrial Estate  
Doncaster  
DN4 8DE

01302 732600 | cva.noreply@cva-auctions.co.uk

# VEHICLE INSPECTION REPORT

**YL18DLV**

## Ford Transit 350 2.0 TDCI 170PS

Inspection		Vehicle	
Serious Damage?	No	VAT	Plus VAT
		V5	Present

Details			
Reg. date	16/07/2018	Colour	WHITE
Year	2018	VIN	WF0XXTTGXJJ11437
Mileage	43,492 Miles Warranted	Body Style	Panel Van L2
Fuel Type	Diesel	MOT Due	04/08/2026
GVW	3500kg	CAP Clean	£8,100.00
		CAP Average	£6,875.00
		CAP Below	£5,225.00
		Gearbox	MANUAL
		Gears	6

AD-BLUE, SIDE LOADING DOOR, E/MIRRORS

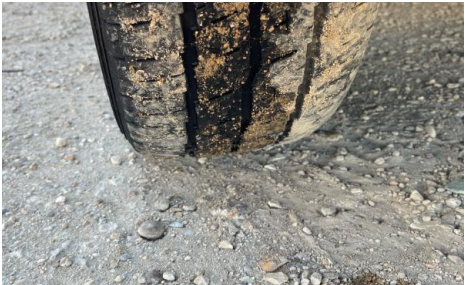
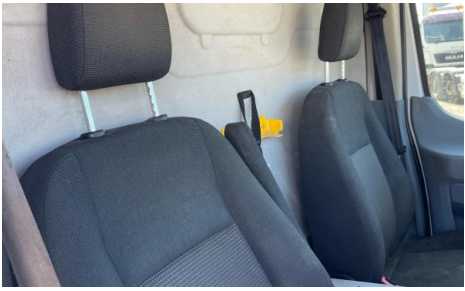
Tyres
NSF
NSR
OSF
OSR
Spare

## Features

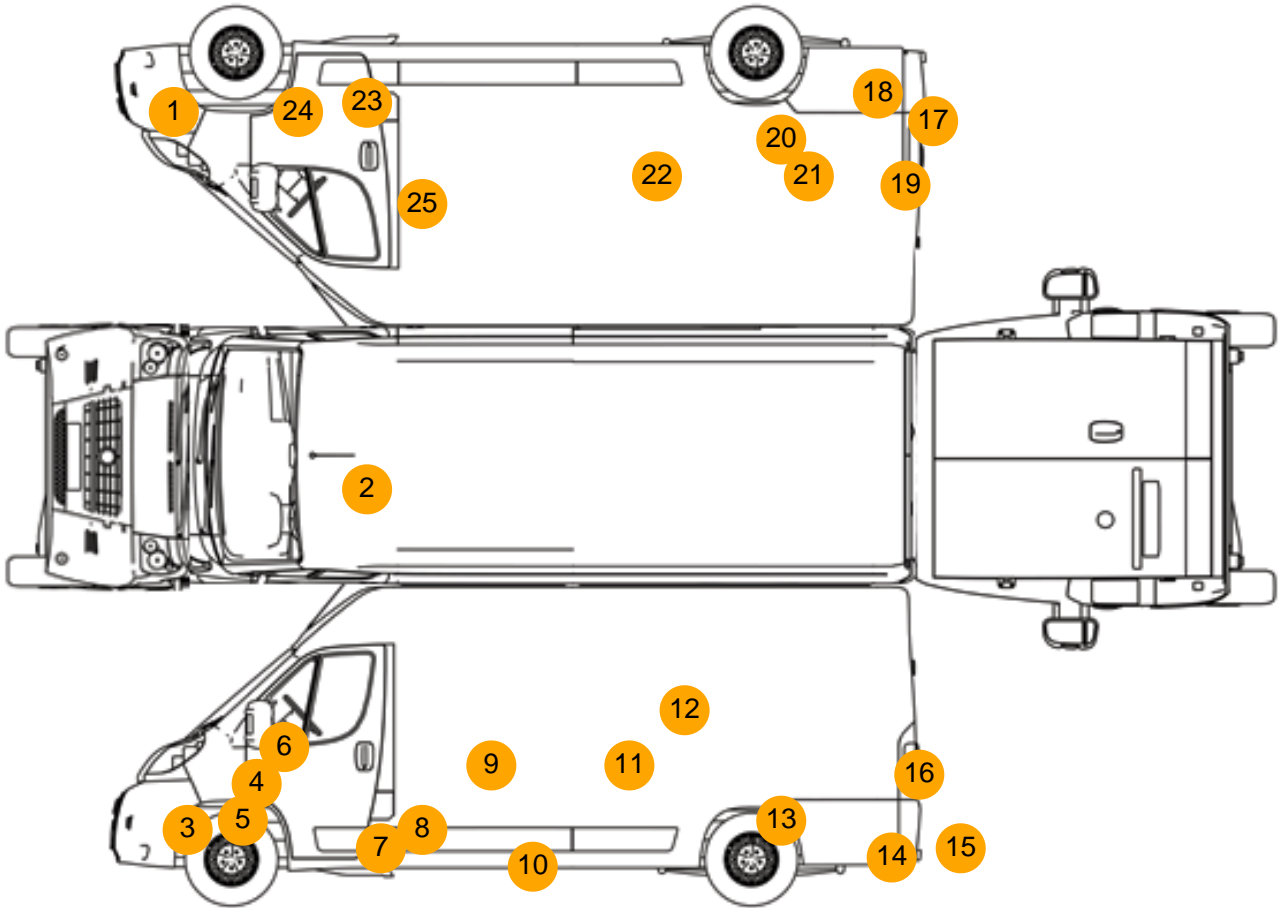
- Front parking sensor
- Rear parking sensor
- Air conditioning
- Front electric windows

## Photos





## Condition Check



## Damage Photos



1: Bumper Front Moulding  
Scuffed (Unpainted)  
Over 100mm

2: Roof  
Rusted  
Over 5mm



3: Bumper Front Moulding  
Scuffed (Unpainted)  
Over 100mm

4: Wing nsf  
Scratched  
Over 25mm Not Thru Paint



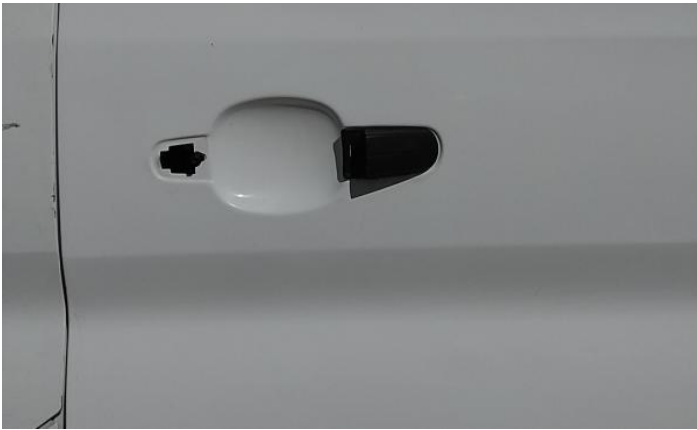
5: Wing Front Arch Extension ns  
Scuffed (Unpainted)  
Over 100mm

6: Flasher Side Repeater ns  
Broken  
Replace



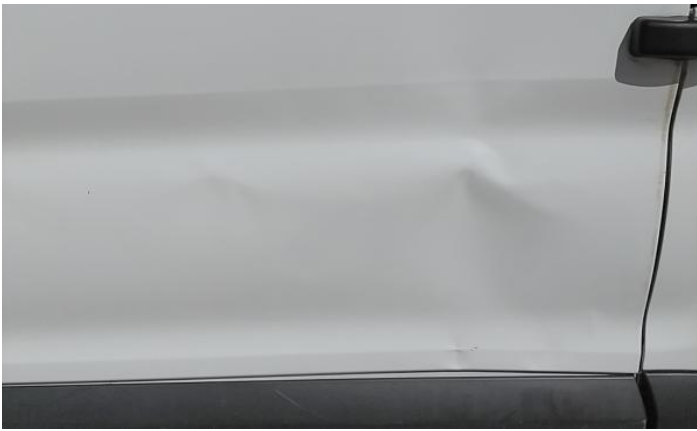
7: Door Moulding nsf  
Scuffed (Unpainted)  
Over 100mm

8: Fuel Flap  
Missing  
Replace



9: Handle Outer nsr  
Broken  
Replace

10: Door Moulding nsr  
Scuffed (Unpainted)  
Over 100mm



11: Door nsr  
Dented  
Over 30mm

12: Door nsr  
Hole  
Over 10mm



13: Qtr Panel Arch Extension ns  
Scuffed (Unpainted)  
Over 100mm

14: Qtr Panel Moulding ns  
Scuffed (Unpainted)  
Over 100mm



15: Bumper Rear Moulding  
Scuffed (Unpainted)  
Over 100mm



16: Lamp nsr  
Broken  
Replace



17: Bumper Rear  
Dented  
Over 30mm



18: Qtr Panel Moulding os  
Scuffed (Unpainted)  
Over 100mm



19: Qtr Panel osr  
Dented  
With Paint Damage



20: Qtr Panel Arch Extension os  
Broken  
Replace



21: Qtr Panel osr  
Scratched  
Over 25mm Thru Paint

22: Qtr Panel osr  
Dented  
With Paint Damage



23: Door Moulding osf  
Scuffed (Unpainted)  
UpTo 100mm

24: Wing Front Arch Extension os  
Missing  
Replace



25: Door osf  
Chipped  
Edge Chip

26: Seat Base Cover osf  
Holed  
Over 3mm

## Interior

<b>Carpet Condition</b>	Average	<b>Upholstery Condition</b>	Average
<b>Seat Condition</b>	Average	<b>Odour</b>	No
Engine Runs	OK	Gearbox 1st and Reverse Test	OK
Brakes	OK	Clutch Slip Test from Static	OK
Parking Brake	OK	Gearbox Static Gear Selection (engine running)	OK
		No Excessive Smoking	OK
EML light illuminated	OK	Oil warning light illuminated	OK
Airbag light illuminated	OK	DPF light illuminated	OK
ABS light illuminated	OK	Service indicator light illuminated	OK