



**COMMERCIAL VEHICLE AUCTIONS LTD**  
THE UK'S MOST ESTABLISHED COMMERCIAL VEHICLE AUCTIONEERS

Carr Hill Industrial Estate  
Doncaster  
DN4 8DE

01302 732600 | cva.noreply@cva-auctions.co.uk

# VEHICLE INSPECTION REPORT

**CU67PWX**

## Ford Transit 350 2.0 TDCi 170ps H3

**Non Runner**

Inspection		Vehicle	
Serious Damage?	No	VAT	Plus VAT
		V5	Present

### Details

Reg. date	13/09/2017	Colour	WHITE	CAP Average	£4,450.00
Year	2017	VIN	WF0XXXTTGXHA14889	CAP Below	£3,300.00
Mileage	98,288 Miles Warranted	Body Style	Panel Van L2	Gearbox	MANUAL
Fuel Type	Diesel	MOT Due	12/09/2026	Gears	6
GVW	3500kg	CAP Clean	£5,325.00	Axle Combi	4x2

\*NON-RUNNER - ENGINE FAULT, NO BRAKES\*, AD BLUE, SIDE LOAD DOOR, TOW BAR, E/MIRRORS, HEATED WINDSCREEN, V NEW KEEPER DOCUMENT REFERENCE NUMBER AVAILABLE FOR TAXATION PURPOSES

### Tyres

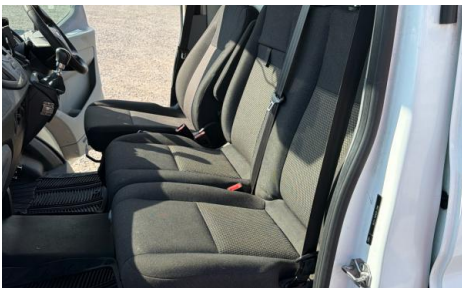
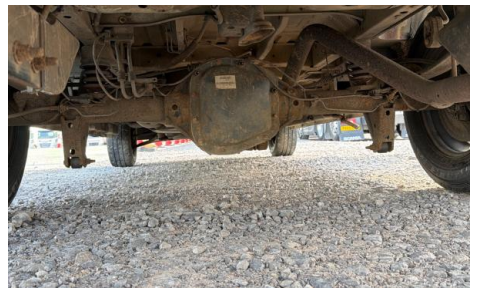
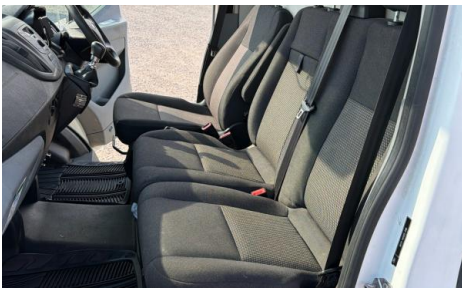
NSF
NSR
OSF
OSR
Spare

## Features

- Bluetooth connection
- Front electric windows
- Cloth seat trim
- Park assist camera
- Drivers airbag
- Radio/CD
- Passenger airbag
- Air conditioning
- Central locking

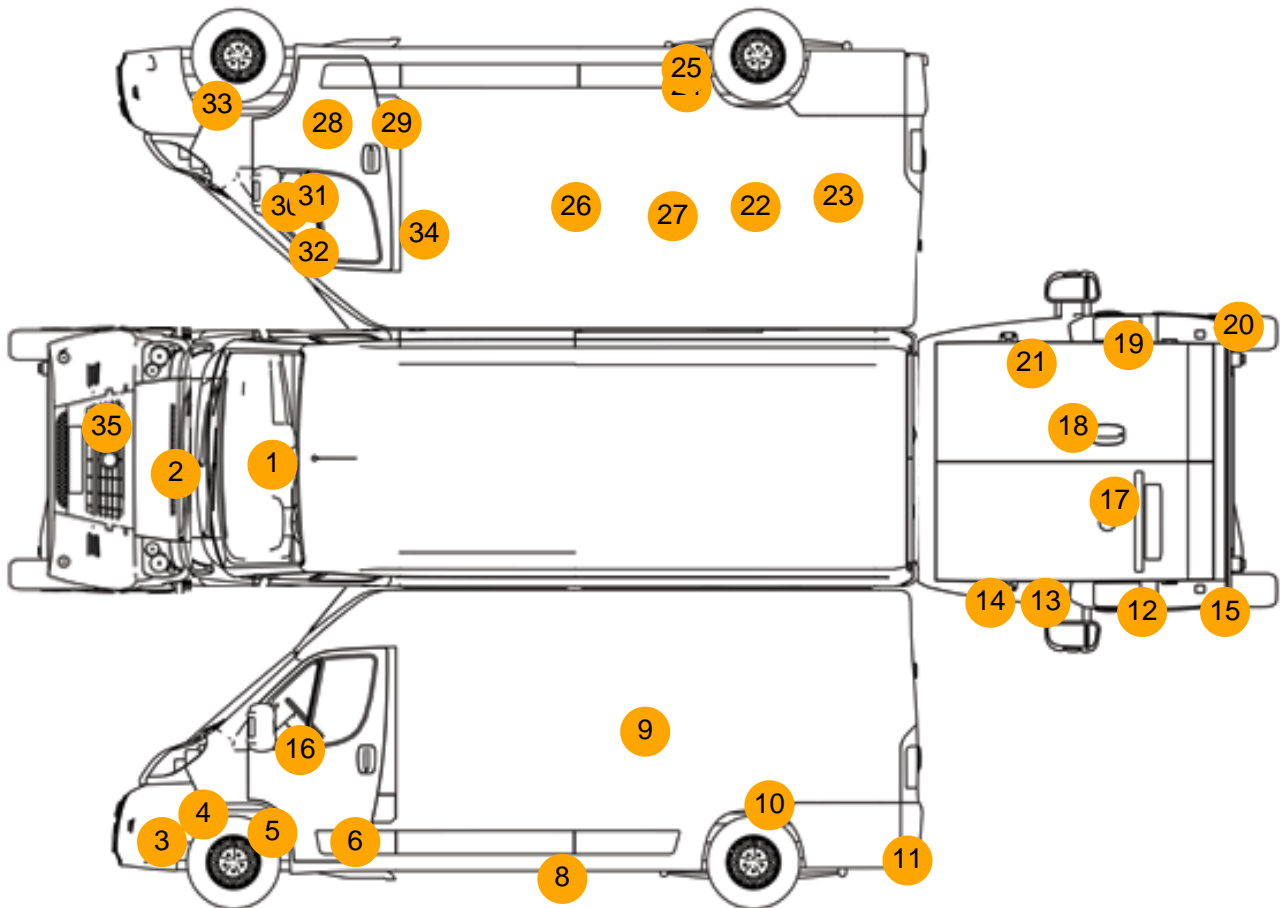
## Photos







## Condition Check



## Damage Photos



1: Screen Front  
Chipped  
Over 10mm



2: Bonnet  
Chipped  
Multiple Chips



3: Bumper Front  
Hole  
Over 25mm

4: Bumper Front  
Scratched  
Over 100mm Thru Paint



5: Wing Front Arch Extension nsf  
Scratched (Painted)  
Over 25mm Thru Paint

6: Door Moulding nsf  
Scratched (Painted)  
Over 25mm Thru Paint



7: Aperture Seal nsf  
Broken  
Replace

8: Qtr Panel Moulding nsf  
Scratched (Painted)  
Over 25mm Thru Paint



9: Qtr Panel nsr  
Scratched  
Over 25mm Thru Paint

10: Qtr Panel Arch Extension ns  
Scratched (Painted)  
Over 25mm Thru Paint



11: Qtr Panel Moulding ns  
Scratched (Painted)  
Over 25mm Thru Paint

12: Lamp nsr  
Broken  
Replace



13: Panel Rear  
Dented  
With Paint Damage

14: Panel Rear  
Dented  
With Paint Damage



15: Bumper Rear  
Dented  
Over 30mm

16: Door Mirror Glass ns  
Broken  
Replace



17: Door nsr  
Dented  
With Paint Damage

18: Door osr  
Dented  
Over 2 UpTo 10mm



19: Lamp osr  
Broken  
Replace

20: Bumper Rear  
Dented  
Over 30mm



21: Panel Rear  
Dented  
With Paint Damage

22: Qtr Panel osr  
Dented  
With Paint Damage



23: Qtr Panel osr  
Dented  
Between 10mm + 30mm

24: Qtr Panel Moulding os  
Scratched (Painted)  
Over 25mm Thru Paint



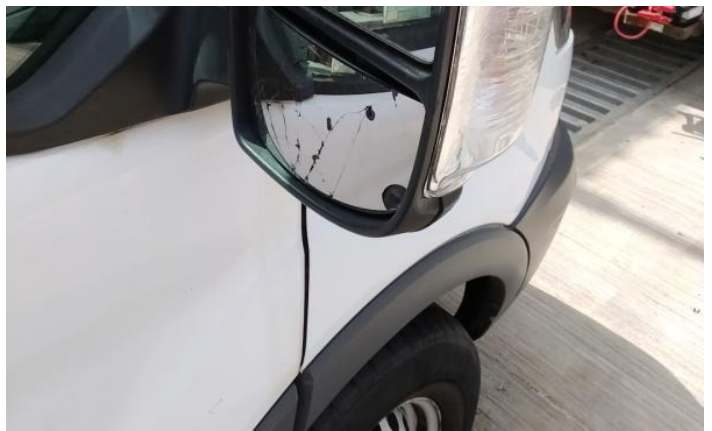
25: Qtr Panel osr  
Dented  
With Paint Damage

26: Qtr Panel osr  
Rusted  
Up To 5mm



27: Qtr Panel osr  
Dented  
With Paint Damage

28: Door osf  
Scratched  
Over 25mm Thru Paint



29: Door osf  
Chipped  
Multiple Chips

30: Door Mirror Glass os  
Broken  
Replace



31: Door Mirror Assy osf  
Broken  
Replace

32: Door osf  
Chipped  
1 To 5



33: Bumper Front  
Scratched  
Over 100mm Thru Paint

34: Door osf  
Scratched  
Over 25mm Thru Paint



35: Bumper Front  
Scratched  
Over 100mm Thru Paint

**Interior**

**Carpet Condition** -  
**Seat Condition** -

**Upholstery Condition** -  
**Odour** -

**Engine Runs** **Fault**