



**COMMERCIAL VEHICLE AUCTIONS LTD**  
THE UK'S MOST ESTABLISHED COMMERCIAL VEHICLE AUCTIONEERS

Carr Hill Industrial Estate  
Doncaster  
DN4 8DE

01302 732600 | cva.noreply@cva-auctions.co.uk

# VEHICLE INSPECTION REPORT

**YR68TGX**

## Ford Transit Custom 300 2.0 TDCI 105PS

Inspection		Vehicle	
Serious Damage?	No	VAT	Plus VAT
		V5	Present

Details					
Reg. date	25/09/2018	Colour	WHITE	CAP Average	£5,275.00
Year	2018	VIN	WF0YXTTGYJL84976	CAP Below	£4,025.00
Mileage	97,123 Miles Warranted	Body Style	Panel Van L2	Gearbox	MANUAL
Fuel Type	Diesel	MOT Due	21/07/2026	Gears	6
GVW	3000kg	CAP Clean	£6,225.00		

AD-BLUE, SIDE LOADING DOOR

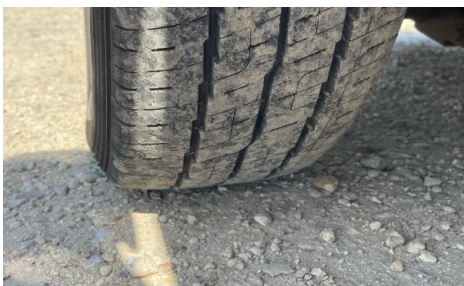
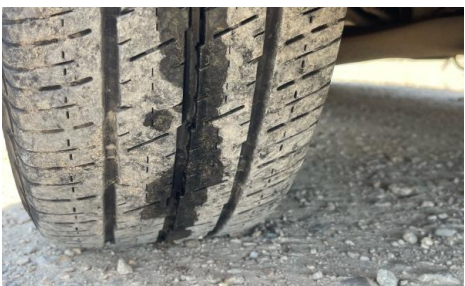
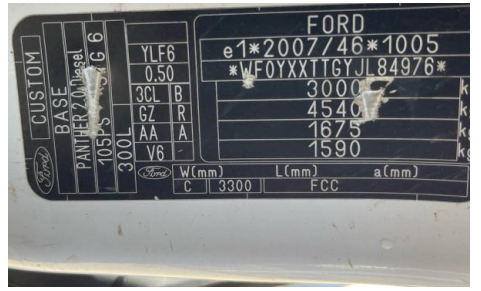
Tyres	
NSF	
NSR	
OSF	
OSR	
Spare	

## Features

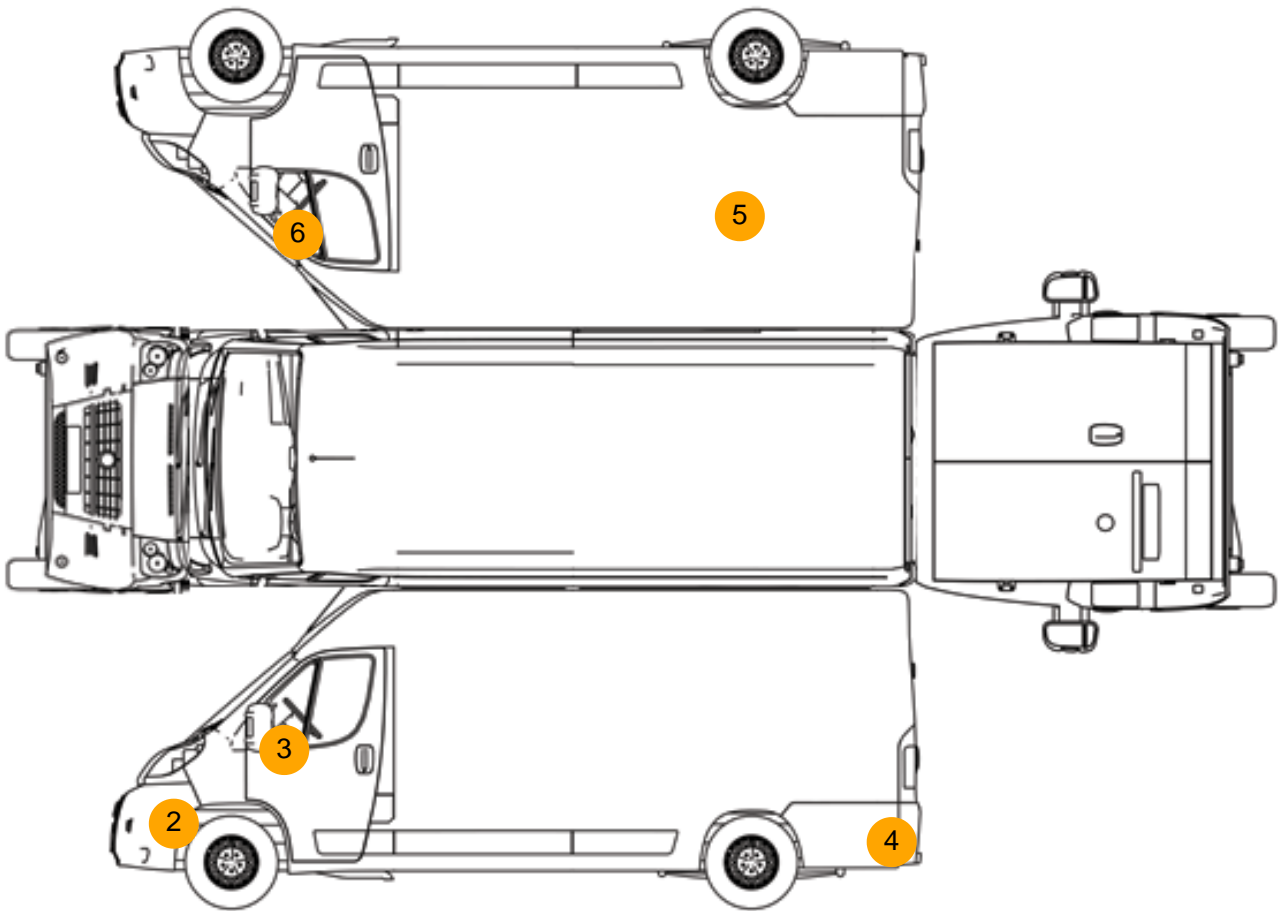
- Park assist camera
- Rear parking sensor
- Front electric windows

## Photos





## Condition Check



## Damage Photos



1: Screen Front  
Cracked  
Replace



2: Bumper Front Moulding  
Scuffed (Unpainted)  
UpTo 100mm



3: Door Mirror Assy nsf  
Scuffed (Unpainted)  
UpTo 100mm

4: Bumper Rear Moulding  
Scuffed (Unpainted)  
UpTo 100mm



5: Qtr Panel osr  
Scratched  
UpTo 25mm Not Thru Paint

6: Door Mirror Assy osf  
Scuffed (Unpainted)  
Over 100mm

**Interior**

Carpet Condition	Average	Upholstery Condition	Average
Seat Condition	Average	Odour	No
Engine Runs	OK	Gearbox 1st and Reverse Test	OK
Brakes	OK	Clutch Slip Test from Static	OK
Parking Brake	OK	Gearbox Static Gear Selection (engine running)	OK
		No Excessive Smoking	OK
EML light illuminated	OK	Oil warning light illuminated	OK
Airbag light illuminated	OK	DPF light illuminated	OK
ABS light illuminated	OK	Service indicator light illuminated	OK