



**COMMERCIAL VEHICLE AUCTIONS LTD**  
THE UK'S MOST ESTABLISHED COMMERCIAL VEHICLE AUCTIONEERS

Carr Hill Industrial Estate  
Doncaster  
DN4 8DE

01302 732600 | cva.noreply@cva-auctions.co.uk

# VEHICLE INSPECTION REPORT

**YO19YNC**

## Ford Transit Connect 240 1.5 ECOBLUE 100PS

Inspection		Vehicle	
Serious Damage?	No	VAT	Plus VAT
		V5	Present

### Details

Reg. date	24/06/2019	Colour	WHITE	CAP Average	£3,875.00
Year	2019	VIN	WF0SXXWPGSKE87052	CAP Below	£3,025.00
Mileage	107,965 Miles Warranted	Body Style	Panel Van L2	Gearbox	MANUAL
Fuel Type	Diesel	MOT Due	06/08/2026	Gears	6
GVW	2405kg	CAP Clean	£4,475.00		

AD-BLUE, SIDE LOADING DOOR

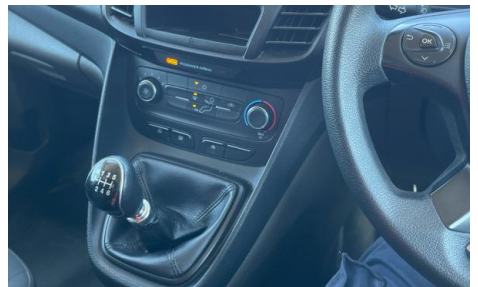
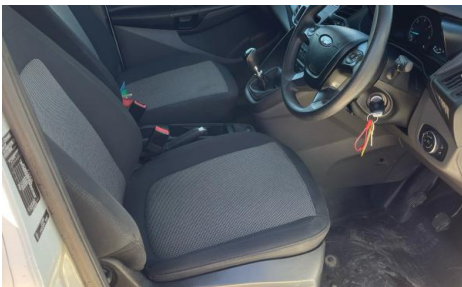
### Tyres

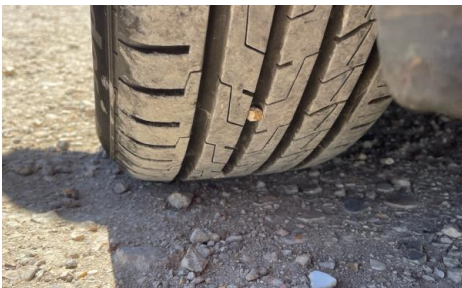
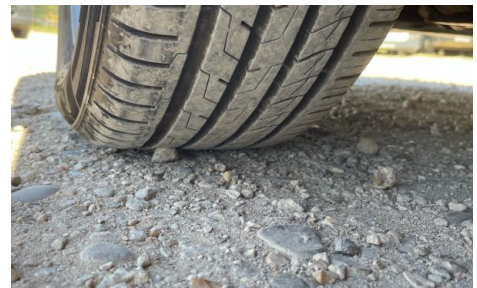
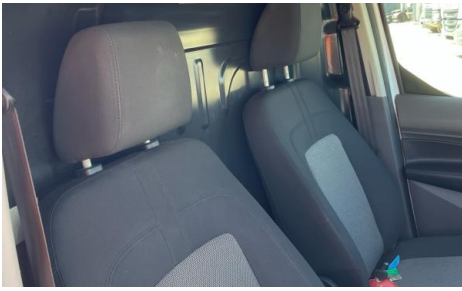
NSF
NSR
OSF
OSR
Spare

## Features

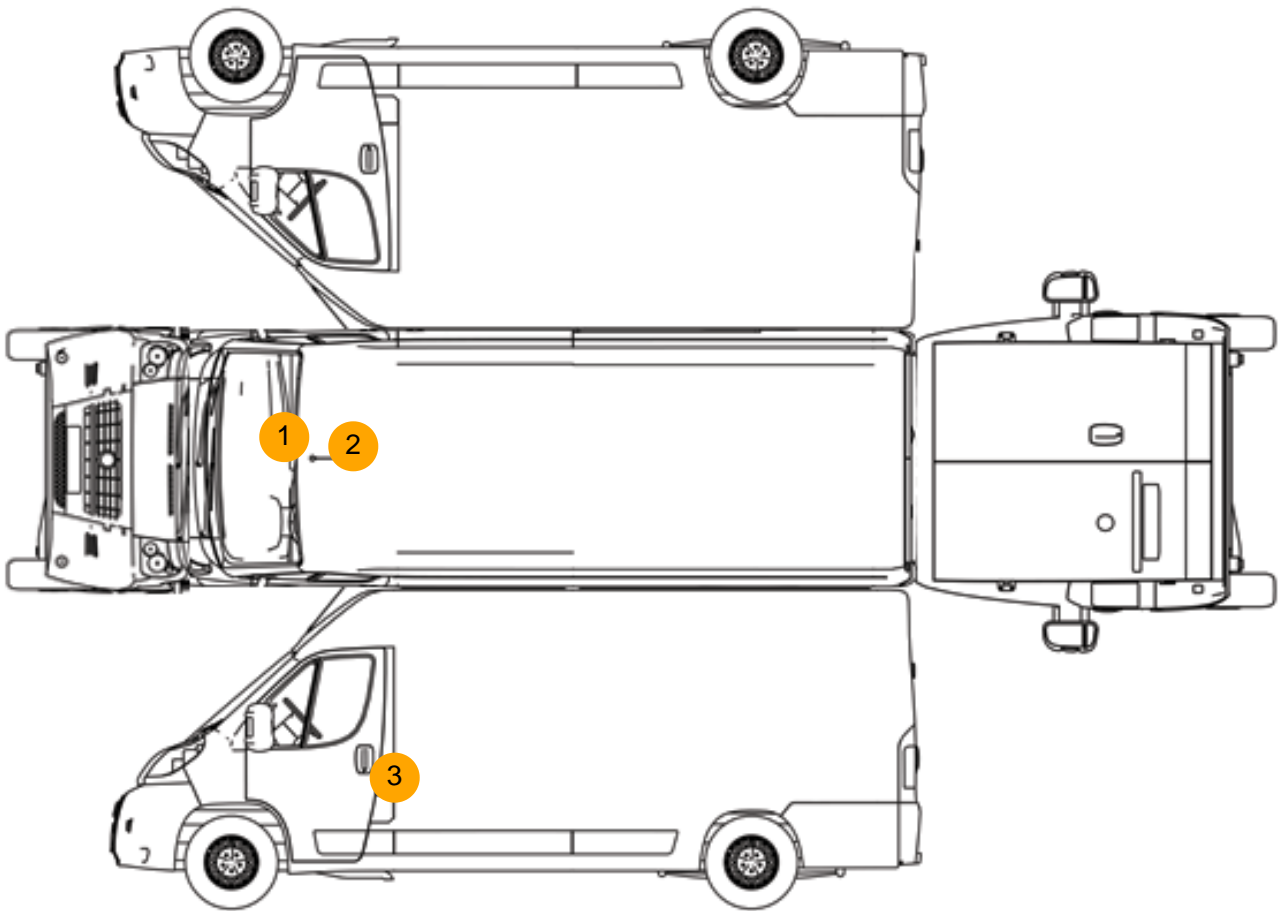
- Park assist camera
- Front electric windows

## Photos





## Condition Check



## Damage Photos



1: Screen Front  
Chipped  
UpTo 10mm



2: Roof  
Chipped  
Multiple Chips



3: Door nsf  
Dented  
Over 2 UpTo 10mm

4: Carpets Front  
Holed  
Over 3mm

### Interior

Carpet Condition	Average	Upholstery Condition	Average
Seat Condition	Average	Odour	No
Engine Runs	OK	Gearbox 1st and Reverse Test	OK
Brakes	OK	Clutch Slip Test from Static	OK
Parking Brake	OK	Gearbox Static Gear Selection (engine running)	OK
		No Excessive Smoking	OK
EML light illuminated	OK	Oil warning light illuminated	OK
Airbag light illuminated	OK	DPF light illuminated	OK
ABS light illuminated	OK	Service indicator light illuminated	OK