



COMMERCIAL VEHICLE AUCTIONS LTD
THE UK'S MOST ESTABLISHED COMMERCIAL VEHICLE AUCTIONEERS

Carr Hill Industrial Estate
Doncaster
DN4 8DE

01302 732600 | cva.noreply@cva-auctions.co.uk

VEHICLE INSPECTION REPORT

YM69AEF

Ford Transit Connect 240 1.5 ECOBLUE 100PS

Inspection		Vehicle	
Serious Damage?	No	VAT	Plus VAT
		V5	Present

Details			
Reg. date	29/01/2020	Colour	WHITE
Year	2020	VIN	WF0SXXWPGSKJ56190
Mileage	108,728 Miles Warranted	Body Style	Panel Van L2
Fuel Type	Diesel	CAP Clean	£4,650.00
GVW	2405kg	CAP Average	£4,075.00
		CAP Below	£3,250.00
		Gearbox	MANUAL
		Gears	6

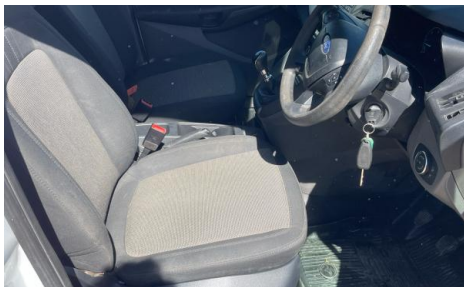
AD-BLUE, SIDE LOADING DOOR

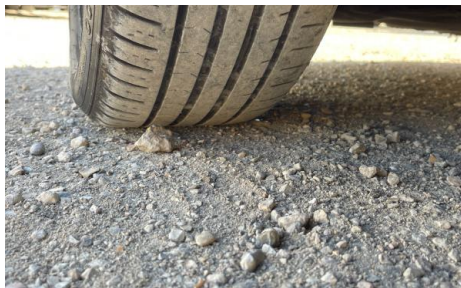
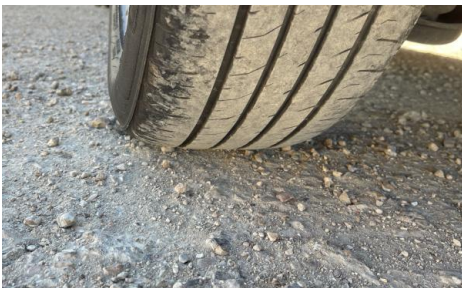
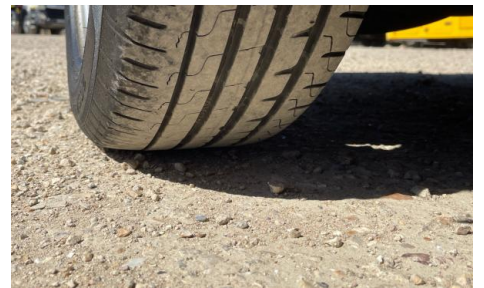
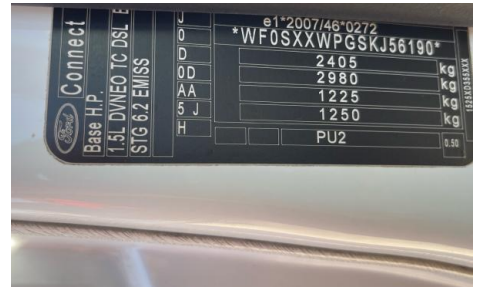
Tyres	
NSF	
NSR	
OSF	
OSR	
Spare	

Features

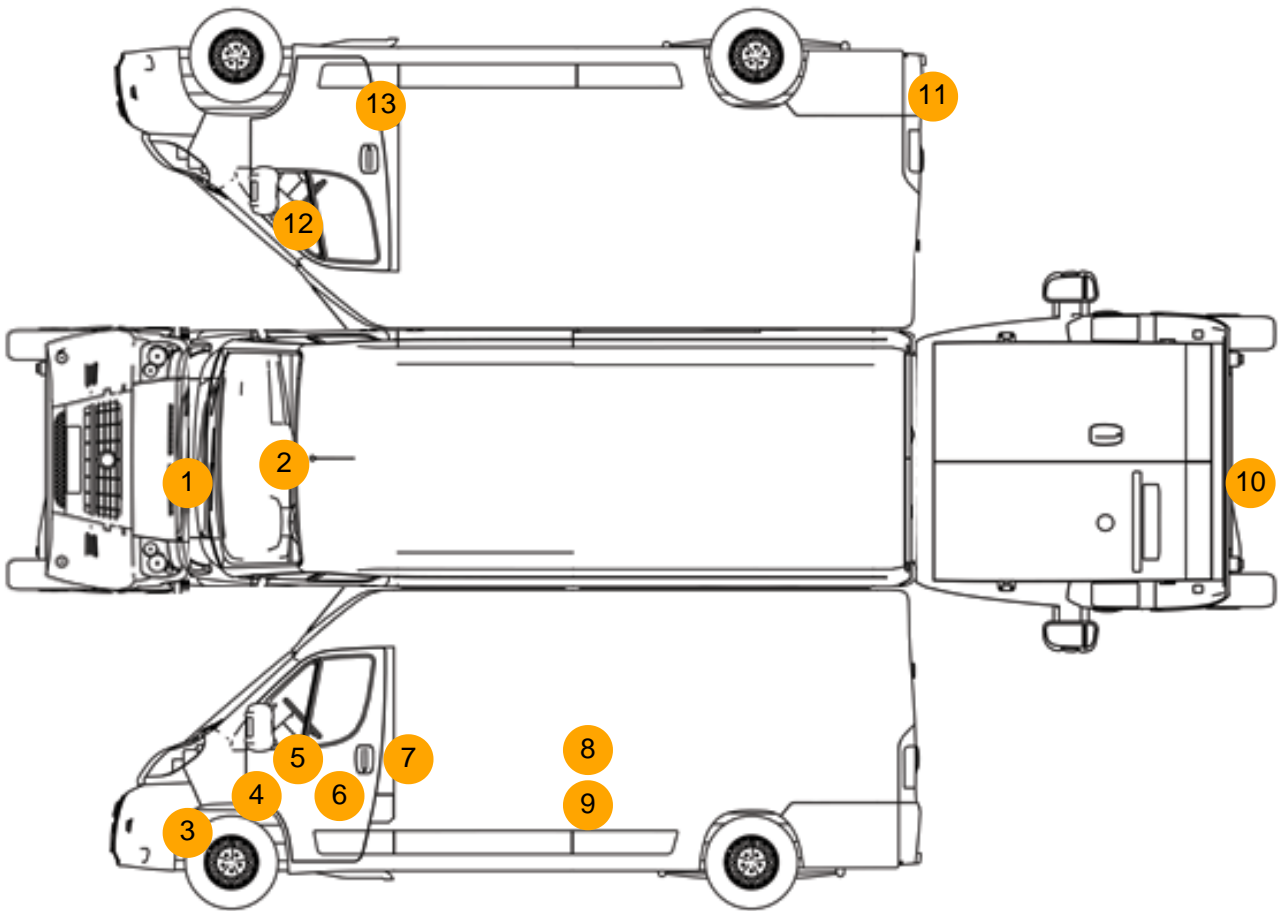
- Park assist camera
- Air conditioning
- Front electric windows

Photos





Condition Check



Damage Photos



1: Bonnet
Chipped
Multiple Chips

2: Screen Front
Chipped
UpTo 10mm



3: Bumper Front Moulding
Scuffed (Unpainted)
Over 100mm

4: Wing nsf
Chipped
Multiple Chips



5: Door Mirror Assy nsf
Scuffed (Unpainted)
UpTo 100mm

6: Door nsf
Chipped
Over 5mm



7: Door nsf
Chipped
Edge Chip

8: Door nsr
Scratched
UpTo 25mm Thru Paint



9: Door nsr
Dented
Between 10mm + 30mm

10: Bumper Rear Moulding
Scuffed (Unpainted)
Over 100mm



11: Bumper Rear Moulding
Scuffed (Unpainted)
Over 100mm

12: Door Mirror Assy osf
Scuffed (Unpainted)
UpTo 100mm



13: Door Moulding osf
Scuffed (Unpainted)
UpTo 100mm

14: Steering Wheel
Damaged
Replace

Interior

Carpet Condition	OK	Upholstery Condition	OK
Seat Condition	OK	Odour	No
Engine Runs	OK	Gearbox 1st and Reverse Test	OK
Brakes	OK	Clutch Slip Test from Static	OK
Parking Brake	OK	Gearbox Static Gear Selection (engine running)	OK
		No Excessive Smoking	OK
EML light illuminated	OK	Oil warning light illuminated	OK
Airbag light illuminated	OK	DPF light illuminated	OK
ABS light illuminated	OK	Service indicator light illuminated	OK