



COMMERCIAL VEHICLE AUCTIONS LTD
THE UK'S MOST ESTABLISHED COMMERCIAL VEHICLE AUCTIONEERS

Carr Hill Industrial Estate
Doncaster
DN4 8DE

01302 732600 | cva.noreply@cva-auctions.co.uk

VEHICLE INSPECTION REPORT

YT09BNA

Scania N230UD OMNICITY DD

Inspection		Vehicle	
Serious Damage?	No	VAT	Plus VAT
		V5	Buyer To Apply

Details					
Reg. date	06/05/2009	Colour	RED	Gearbox	AUTOMATIC
Year	2009	VIN	SZAN4X20001864363	Axle Combi	4x2
Mileage	803,809 Miles Not Warranted	Body Style	Double Deck Bus	Rear Suspension	Air
Fuel Type	Diesel	Cab Type	DAY CAB		

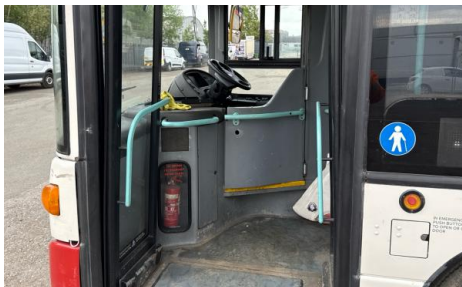
*5% BUYERS FEE**MOT RECORDED IN A MIX OF KM & MILES* OMNICITY BODY, 77 SEATS

Tyres				
NSF	NSI1	NSI2	NSI3	NSI4
OSF	OSI1	OSI2	OSI3	OSI4
Spare	NSO1	NSO2	NSO3	NSO4
	OSO1	OSO2	OSO3	OSO4

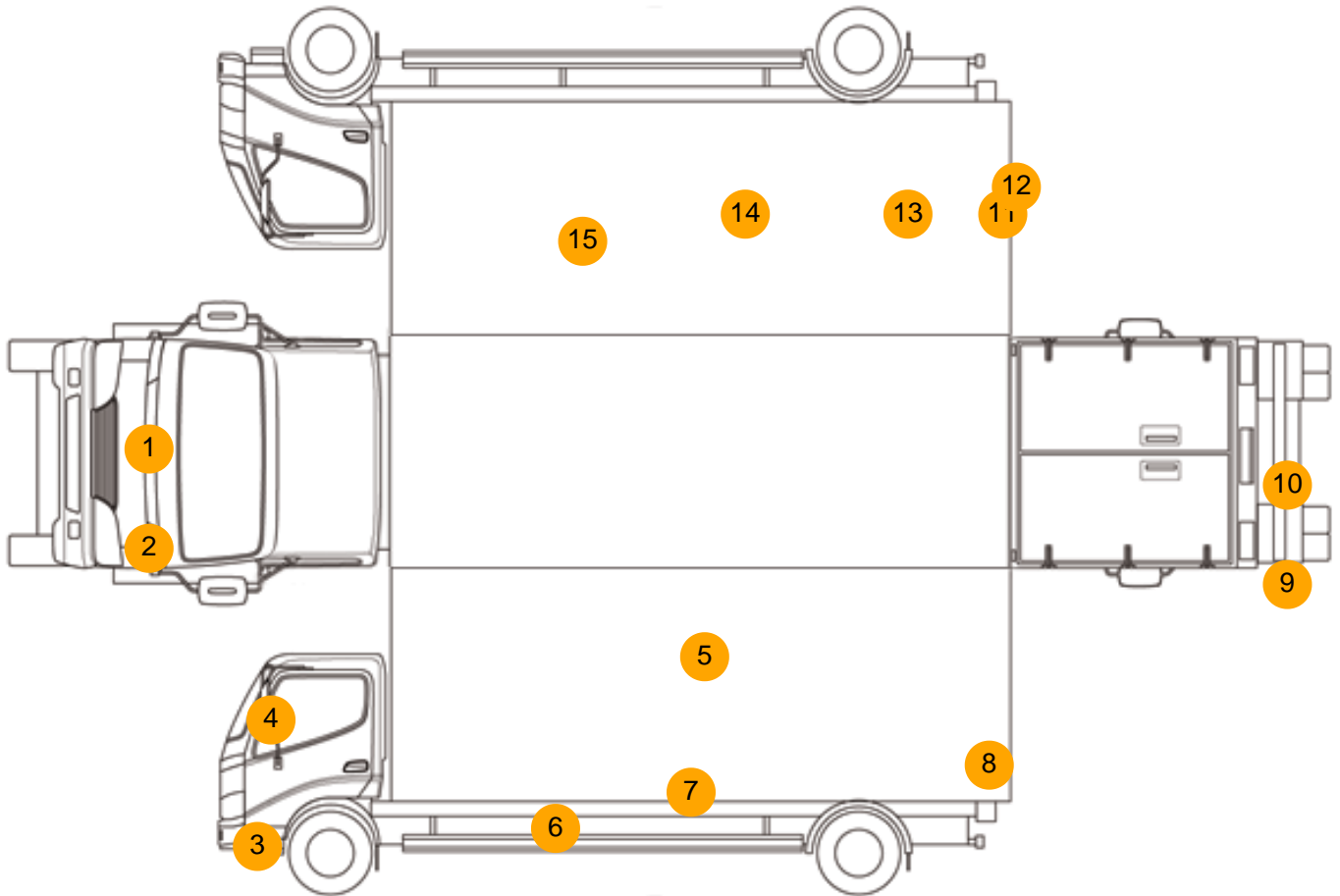
Features

- Park assist camera
- Cloth seat trim

Photos



Condition Check



Damage Photos



1: Bonnet
Missing
Replace

2: Panel Front
Scratched
Over 25mm Thru Paint



3: Bumper Front
Dented
With Paint Damage

4: A Post ns
Scratched
Over 25mm Thru Paint



5: Qtr Panel nsr
Scratched
Over 25mm Thru Paint

6: Qtr Panel Moulding ns
Scratched (Painted)
Over 25mm Thru Paint



7: Qtr Panel nsr
Scratched
Over 25mm Thru Paint

8: Qtr Panel nsr
Scratched
Over 25mm Thru Paint



9: Bumper Rear Moulding
Broken
Replace

10: Bumper Rear
Cracked
Over 25mm



11: C Post os
Scratched
Over 25mm Thru Paint

12: Panel Rear
Scratched
Over 25mm Thru Paint



13: Aperture Seal osr
Missing
Replace

14: Aperture Seal osf
Broken
Replace



15: Aperture Seal of
Missing
Replace

Interior

Carpet Condition	OK	Upholstery Condition	OK
Seat Condition	OK	Odour	-
Engine Runs	OK	No Excessive Smoking	OK
EML light illuminated	OK	DPF light illuminated	OK
ABS light illuminated	OK		