



COMMERCIAL VEHICLE AUCTIONS LTD
THE UK'S MOST ESTABLISHED COMMERCIAL VEHICLE AUCTIONEERS

Carr Hill Industrial Estate
Doncaster
DN4 8DE

01302 732600 | cva.noreply@cva-auctions.co.uk

VEHICLE INSPECTION REPORT

PE65VBJ

Daf LF 220

Inspection		Vehicle	
Serious Damage?	No	VAT	Plus VAT
		V5	Present

Details

Reg. date	04/11/2015	VIN	XLRAEL3700L448941	Gearbox	AUTOMATIC
Year	2015	Body Style	Box Van	Axle Combi	4x2
Mileage	842,950 Km Warranted	Service history	Yes	Rear Suspension	Steel
Fuel Type	Diesel	Service documents	Printout	Tail Lift	Cantilever
GVW	18000kg	MOT Due	31/08/2026		
Colour	RED	Cab Type	DAY CAB		

COLLECTED AS NON-RUNNER, CAB, BOX FLOOR, RADIATOR, ARB BUSHES REQUIRE ATTENTION

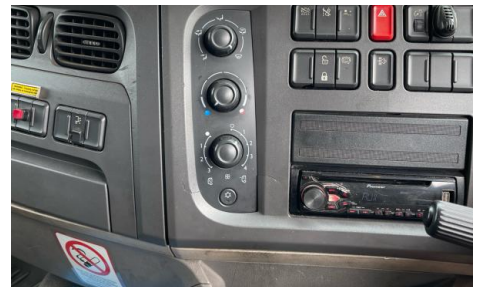
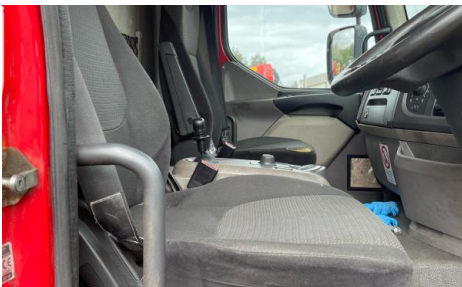
Tyres

NSF	NSI1	NSI2	NSI3	NSI4
OSF	OSI1	OSI2	OSI3	OSI4
Spare	NSO1	NSO2	NSO3	NSO4
	OSO1	OSO2	OSO3	OSO4

Features

- Radio/CD

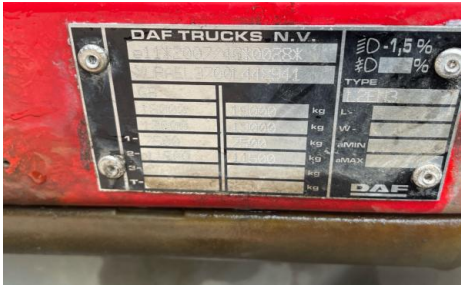
Photos



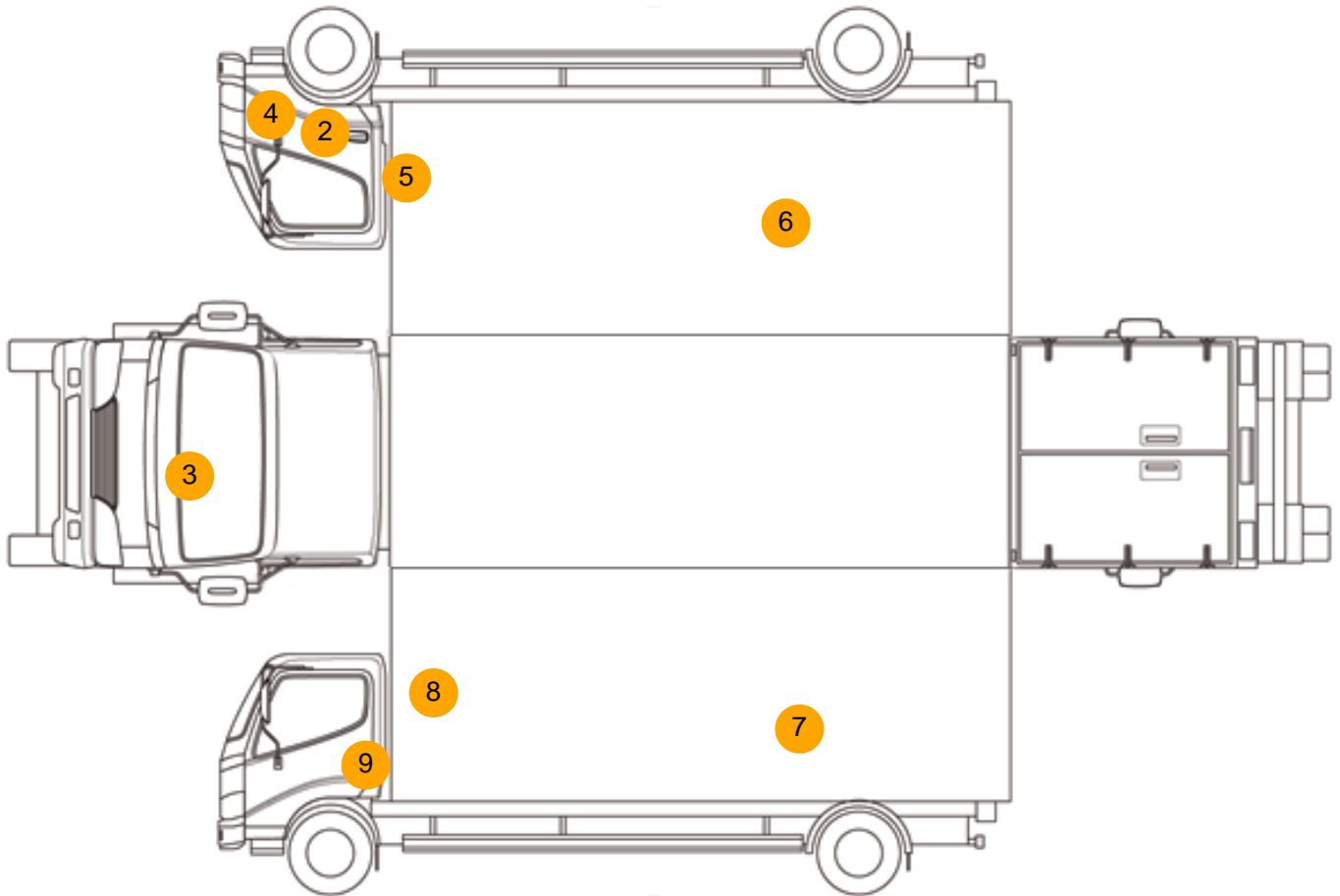


Description of Weights Applicable to vehicle		(2) Weights not to be exceeded in Gt. Britain	(3) Weights not to be exceeded in Ireland	(4) Design Weights of Motor Power in Ireland	Length	Manufacture	2015
Gross Weight	18000	18000	19000	10138	Max	2540	
Train Weight	18000	18000	19000		Max		
Max. Train Weight							
Axis 1	7500	7500					
Axis 2	11500	11500					
Axis 3							
Axis 4							
Maximum Permissible Load							

DEPARTMENT FOR TRANSPORT GREAT BRITAIN
REPLACEMENT
Type use conditions applicable to vehicle 2B



Condition Check



Damage Photos



1: Carpets Front
Holed
Over 3mm



2: Door Moulding ofsf
Scuffed (Unpainted)
Over 100mm



3: Bonnet
Chipped
Multiple Chips

4: Wing of
Chipped
Multiple Chips



5: Door of
Dented
Over 30mm

6: Qtr Panel of
Rusted
Over 5mm



7: Qtr Panel of
Rusted
Over 5mm

8: B Post of
Dented
With Paint Damage



9: Door nsf
Dented
Over 30mm

Interior

Carpet Condition	Poor	Upholstery Condition	Average
Seat Condition	Average	Odour	-
Engine Runs	OK	Gearbox 1st and Reverse Test	OK
Brakes	OK	Clutch Slip Test from Static	OK
Turbo Boosting	OK	Gearbox Static Gear Selection (engine running)	OK
Parking Brake	OK	No Excessive Smoking	OK
EML light illuminated	OK	Oil warning light illuminated	OK
Airbag light illuminated	OK	DPF light illuminated	OK
ABS light illuminated	OK	Service indicator light illuminated	OK
Windows	OK	Radio	OK
		Steering	OK