



**COMMERCIAL VEHICLE AUCTIONS LTD**  
THE UK'S MOST ESTABLISHED COMMERCIAL VEHICLE AUCTIONEERS

Carr Hill Industrial Estate  
Doncaster  
DN4 8DE

01302 732600 | cva.noreply@cva-auctions.co.uk

# VEHICLE INSPECTION REPORT

**SP63HYR**

## Ford Transit T300 2.2 TDCi 100PS

Inspection		Vehicle	
Serious Damage?	No	VAT	Plus VAT
		V5	To Follow

Details					
Reg. date	07/11/2013	Colour	WHITE	CAP Average	£900.00
Year	2013	VIN	WF0XXXTTFXDP39811	CAP Below	£600.00
Mileage	138,594 Miles Warranted	Body Style	Panel Van MWB	Gearbox	MANUAL
Fuel Type	Diesel	MOT Due	06/11/2026	Gears	6
GVW	3025kg	CAP Clean	£1,125.00		

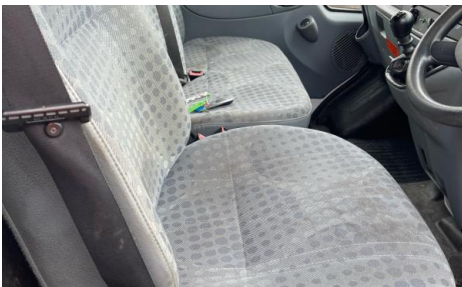
\*WARNING LIGHT ON DASH\* SIDE LOAD DOOR, ROOF RACK

Tyres
NSF
NSR
OSF
OSR
Spare

## Features

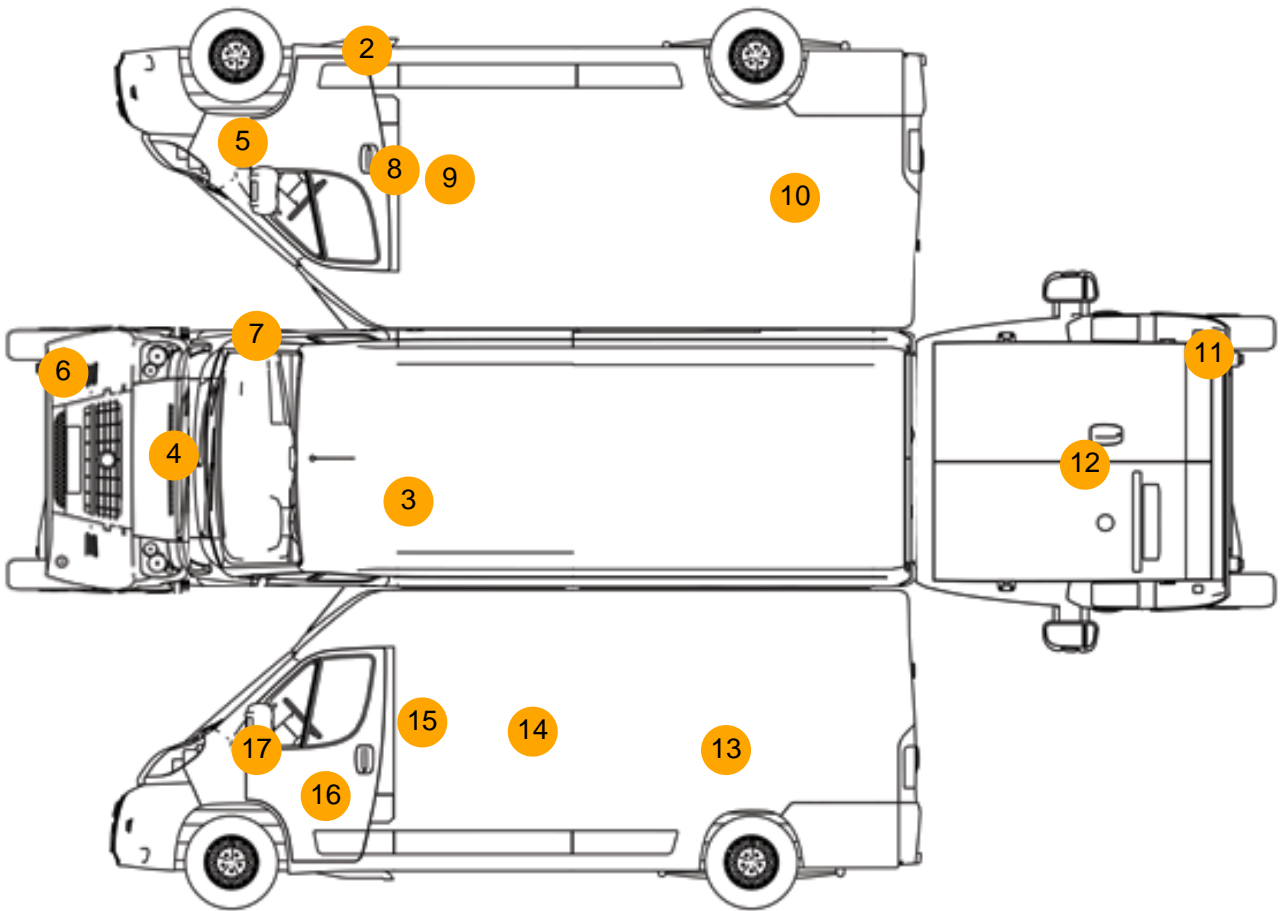
- Radio/CD
- Front electric windows
- Central locking

## Photos





## Condition Check



## Damage Photos



1: Carpets Front  
Torn  
Over 10mm



2: Sill os  
Rusted  
Over 5mm



3: Roof  
Rusted  
Over 5mm

4: Bonnet  
Rusted  
Over 5mm



5: Wing of  
Rusted  
Over 5mm

6: Bumper Front Moulding  
Scuffed (Unpainted)  
Over 100mm



7: Screen Front  
Missing  
Replace

8: Door of  
Dented  
With Paint Damage



9: B Post os  
Rusted  
Over 5mm

10: Qtr Panel osr  
Rusted  
Over 5mm



11: Bumper Rear Moulding  
Scuffed (Unpainted)  
Over 100mm

12: Tailgate  
Dented  
With Paint Damage



13: Qtr Panel nsr  
Dented  
With Paint Damage

14: Door nsr  
Dented  
With Paint Damage



15: B Post ns  
Rusted  
Over 5mm

16: Door nsf  
Rusted  
Over 5mm



17: Wing nsf  
Dented  
With Paint Damage

### Interior

Carpet Condition	Poor	Upholstery Condition	Average
Seat Condition	Average	Odour	No
Engine Runs	OK	Gearbox 1st and Reverse Test	OK
Brakes	OK	Clutch Slip Test from Static	OK
Turbo Boosting	OK	Gearbox Static Gear Selection (engine running)	OK
Parking Brake	OK	No Excessive Smoking	OK
EML light illuminated	OK	Oil warning light illuminated	OK
Airbag light illuminated	OK	DPF light illuminated	OK
ABS light illuminated	OK	Service indicator light illuminated	Fault

Windows

OK

Radio

OK

Steering

OK