



COMMERCIAL VEHICLE AUCTIONS LTD
THE UK'S MOST ESTABLISHED COMMERCIAL VEHICLE AUCTIONEERS

Carr Hill Industrial Estate
Doncaster
DN4 8DE

01302 732600 | cva.noreply@cva-auctions.co.uk

VEHICLE INSPECTION REPORT

SP63JFG

Ford Transit T300 2.2 TDCi 100PS

Inspection		Vehicle	
Serious Damage?	No	VAT	Plus VAT
		V5	Present

Details

Reg. date	30/09/2013	VIN	WFOXXTTFXDP39847	CAP Average	£910.00
Year	2013	Body Style	Panel Van MWB	CAP Below	£610.00
Mileage	135,576 Miles Warranted	Service history	Yes	Gearbox	MANUAL
Fuel Type	Diesel	Service documents	Printout	Gears	6
GVW	3025kg	MOT Due	06/10/2026		
Colour	WHITE	CAP Clean	£1,150.00		

WARNING LIGHT ON DASH SIDE LOAD DOOR.

Tyres

NSF
NSR
OSF
OSR
Spare

Features

- Radio/CD
- Front electric windows
- Central locking

Photos

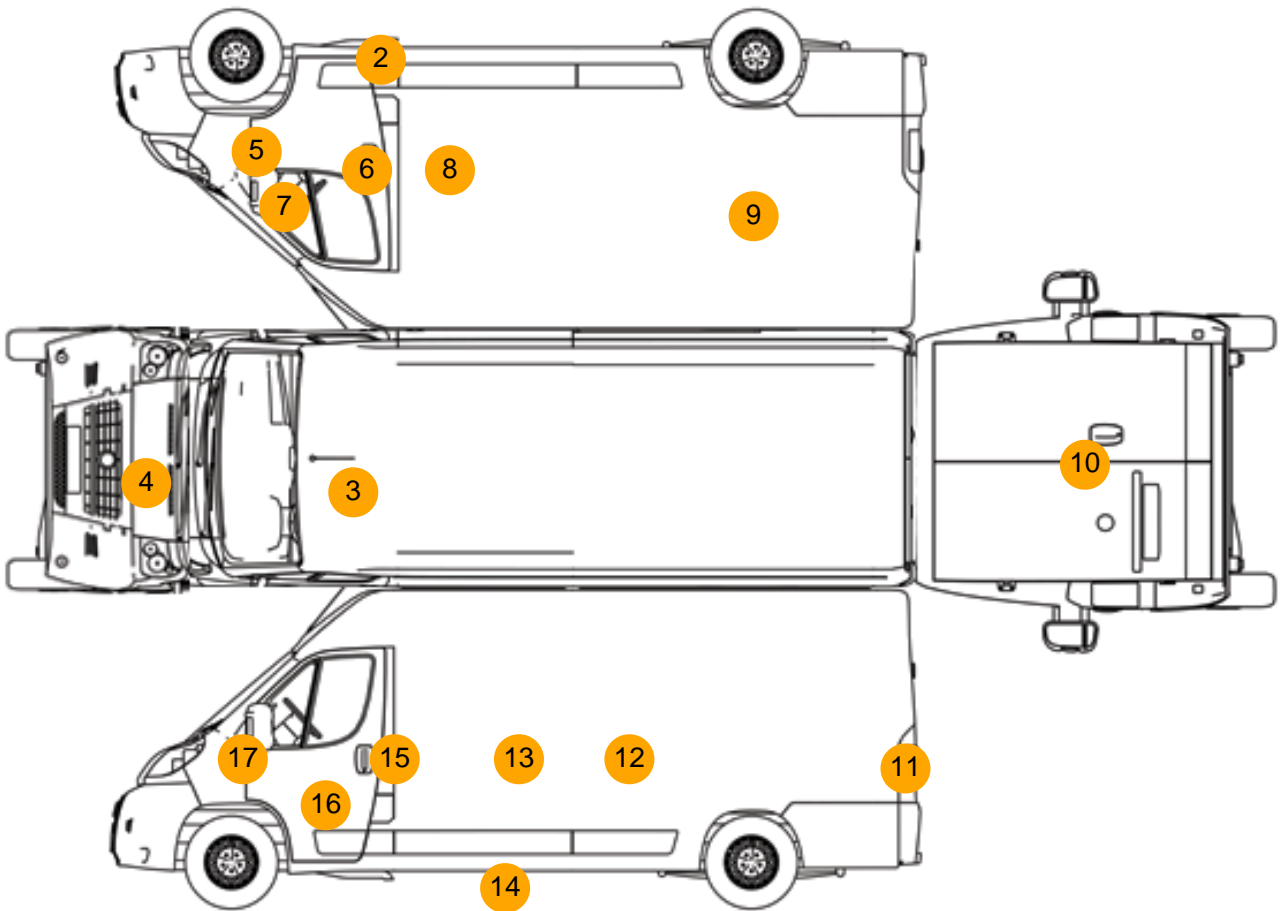




DRFB		e1×2007/46×0244	
0.53		×WFOXXX1TFXDP39847×	
ACP B		3025	kg
GG R		5225	kg
AA F		1600	kg
V6		1760	kg
W(mm)		L(mm)	a(mm)
N 3300		FAF6	



Condition Check



Damage Photos



1: Carpets Front
Torn
Over 10mm



2: Sill os
Rusted
Over 5mm



3: Roof
Rusted
Over 5mm

4: Bonnet
Rusted
Over 5mm



5: Wing osf
Dented
With Paint Damage

6: Door osf
Rusted
Over 5mm



7: Door Mirror Assy osf
Missing
Replace

8: B Post os
Rusted
Over 5mm



9: Qtr Panel osr
Dented
With Paint Damage

10: Tailgate
Dented
With Paint Damage



11: D Post ns
Dented
With Paint Damage

12: Qtr Panel nsr
Hole
UpTo 10mm



13: Door nsr
Dented
With Paint Damage

14: Sill ns
Rusted
Over 5mm



15: B Post ns
Rusted
Over 5mm

16: Door nsf
Rusted
Over 5mm



17: Wing nsf
Dented
Over 30mm

Interior

Carpet Condition	Poor	Upholstery Condition	Average
Seat Condition	Average	Odour	No
Engine Runs	OK	Gearbox 1st and Reverse Test	OK
Brakes	OK	Clutch Slip Test from Static	OK
Turbo Boosting	OK	Gearbox Static Gear Selection (engine running)	OK
Parking Brake	OK	No Excessive Smoking	OK
EML light illuminated	OK	Oil warning light illuminated	OK
Airbag light illuminated	OK	DPF light illuminated	OK
ABS light illuminated	OK	Service indicator light illuminated	Fault

Windows

OK

Radio

OK

Steering

OK