



**COMMERCIAL VEHICLE AUCTIONS LTD**  
THE UK'S MOST ESTABLISHED COMMERCIAL VEHICLE AUCTIONEERS

Carr Hill Industrial Estate  
Doncaster  
DN4 8DE

01302 732600 | cva.noreply@cva-auctions.co.uk

# VEHICLE INSPECTION REPORT

**SP63HYU**

## Ford Transit T300 2.2 TDCi 100PS

Inspection		Vehicle	
Serious Damage?	No	VAT	Plus VAT
		V5	Present

### Details

Reg. date	24/09/2013	VIN	WFOXXTTFXDP39783	CAP Average	£930.00
Year	2013	Body Style	Panel Van MWB	CAP Below	£625.00
Mileage	125,618 Miles Warranted	Service history	Yes	Gearbox	MANUAL
Fuel Type	Diesel	Service documents	Printout	Gears	6
GVW	3025kg	MOT Due	30/07/2026		
Colour	WHITE	CAP Clean	£1,175.00		

\*WARNING LIGHT ON DASH\* SIDE LOAD DOOR, ROOF RACK

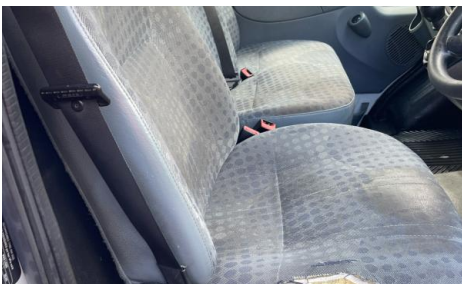
### Tyres

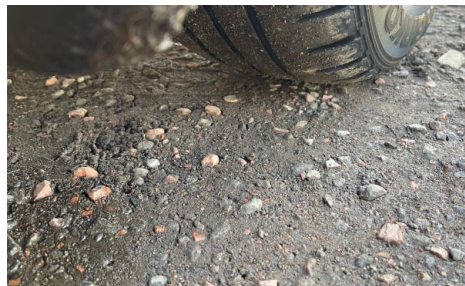
NSF
NSR
OSF
OSR
Spare

### Features

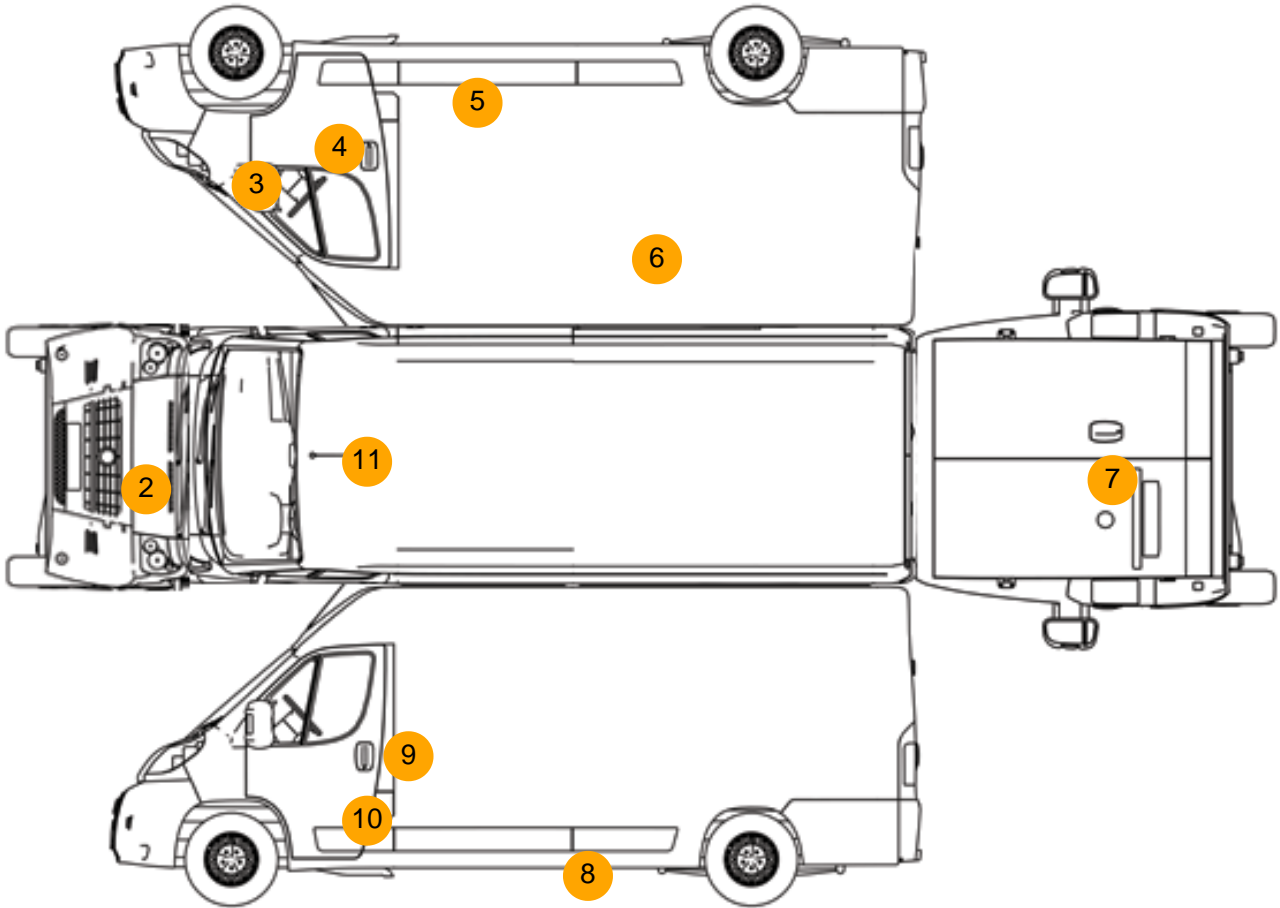
- Radio/CD
- Front electric windows
- Central locking

### Photos





## Condition Check



## Damage Photos



1: Seat Base Cover of  
Torn  
Over 3mm

2: Bonnet  
Dented  
With Paint Damage



3: Wing osf  
Rusted  
Over 5mm

4: Door osf  
Rusted  
Over 5mm



5: Sill os  
Rusted  
Over 5mm

6: Qtr Panel osr  
Dented  
With Paint Damage



7: Tailgate  
Dented  
Over 30mm

8: Sill ns  
Rusted  
Over 5mm



9: B Post ns  
Rusted  
Over 5mm

10: Door nsf  
Dented  
Over 30mm



11: Roof  
Rusted  
Over 5mm

**Interior**

Carpet Condition	Average	Upholstery Condition	Average
Seat Condition	Average	Odour	No
Engine Runs	OK	Gearbox 1st and Reverse Test	OK
Brakes	OK	Clutch Slip Test from Static	OK
Turbo Boosting	OK	Gearbox Static Gear Selection (engine running)	OK
Parking Brake	OK	No Excessive Smoking	OK
EML light illuminated	OK	Oil warning light illuminated	OK
Airbag light illuminated	OK	DPF light illuminated	OK
ABS light illuminated	OK	Service indicator light illuminated	Fault

Windows

OK

Radio

OK

Steering

OK