



COMMERCIAL VEHICLE AUCTIONS LTD
THE UK'S MOST ESTABLISHED COMMERCIAL VEHICLE AUCTIONEERS

Carr Hill Industrial Estate
Doncaster
DN4 8DE

01302 732600 | cva.noreply@cva-auctions.co.uk

VEHICLE INSPECTION REPORT

ST13NNO

Ford Transit Connect T230 1.8 TDCi 90PS

Inspection		Vehicle	
Serious Damage?	No	VAT	Plus VAT
		V5	To Follow

Details					
Reg. date	28/06/2013	Colour	WHITE	CAP Average	£660.00
Year	2013	VIN	WF0UXXTTPUDB55028	CAP Below	£440.00
Mileage	106,066 Miles Warranted	Body Style	Panel Van LWB	Gearbox	MANUAL
Fuel Type	Diesel	MOT Due	30/06/2026	Gears	5
GVW	2340kg	CAP Clean	£850.00		

SIDE LOAD DOOR.

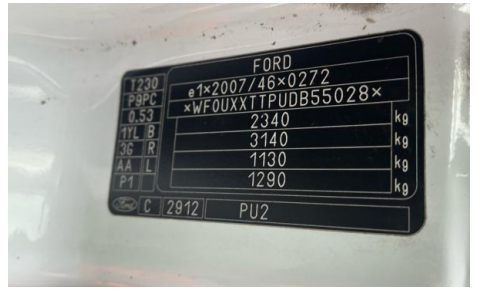
Tyres
NSF
NSR
OSF
OSR
Spare

Features

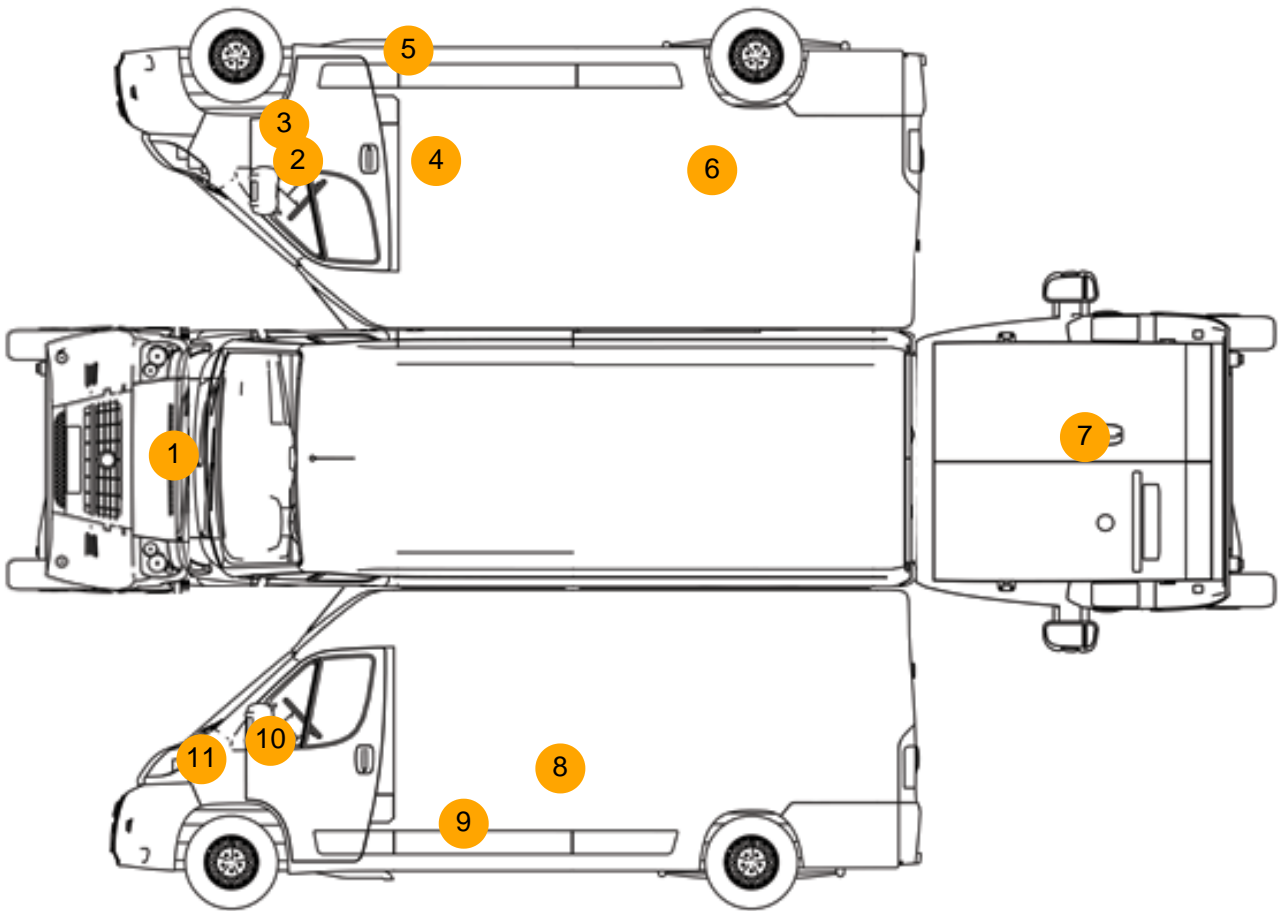
- Radio/CD
- Front electric windows
- Central locking

Photos

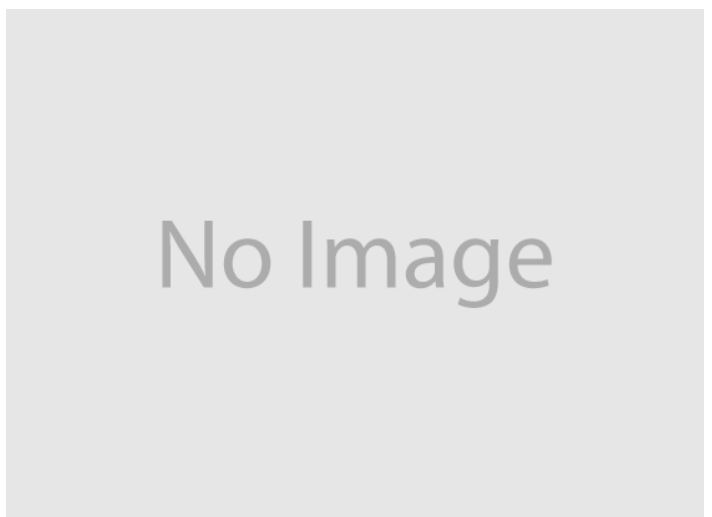




Condition Check



Damage Photos



1: Bonnet
Dented
With Paint Damage

2: Wing nsf
Dented
With Paint Damage



3: Flasher Side Repeater os
Broken
Replace



4: Door Lock osf
Broken
Replace



5: Sill os
Poor Previous Repair
Poor Colour



6: Qtr Panel osr
Rusted
Over 5mm



7: Tailgate
Dented
With Paint Damage



8: Door nsr
Rusted
Over 5mm



9: Sill ns
 Poor Previous Repair
 Poor Colour

10: Flasher Side Repeater ns
 Broken
 Replace



11: Wing nsf
 Rusted
 Over 5mm

Interior

Carpet Condition	Average	Upholstery Condition	Average
Seat Condition	Average	Odour	No
Engine Runs	OK	Gearbox 1st and Reverse Test	OK
Brakes	OK	Clutch Slip Test from Static	OK
Turbo Boosting	OK	Gearbox Static Gear Selection (engine running)	OK
Parking Brake	OK	No Excessive Smoking	OK
EML light illuminated	OK	Oil warning light illuminated	OK
Airbag light illuminated	OK	DPF light illuminated	OK
ABS light illuminated	OK	Service indicator light illuminated	OK

Windows

OK

Radio

OK

Steering

OK