



COMMERCIAL VEHICLE AUCTIONS LTD
THE UK'S MOST ESTABLISHED COMMERCIAL VEHICLE AUCTIONEERS

Carr Hill Industrial Estate
Doncaster
DN4 8DE

01302 732600 | cva.noreply@cva-auctions.co.uk

VEHICLE INSPECTION REPORT

ST63XFY

Ford Transit Connect 200 1.6 TDCi 95PS

Inspection		Vehicle	
Serious Damage?	No	VAT	Plus VAT
		V5	Present

Details

Reg. date	25/02/2014	VIN	WF0RXXWPGRDK52064	CAP Average	£1,475.00
Year	2014	Body Style	Panel Van SWB	CAP Below	£1,000.00
Mileage	127,957 Miles Warranted	Service history	Yes	Gearbox	MANUAL
Fuel Type	Diesel	Service documents	Printout	Gears	5
GVW	2005kg	MOT Due	02/08/2026		
Colour	WHITE	CAP Clean	£1,850.00		

SIDE LOAD DOOR,

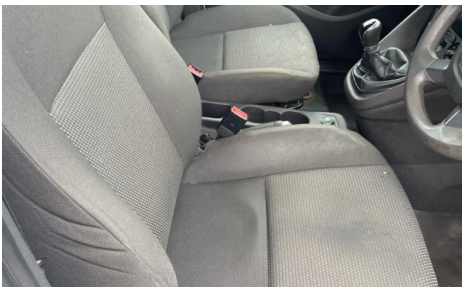
Tyres

NSF
NSR
OSF
OSR
Spare

Features

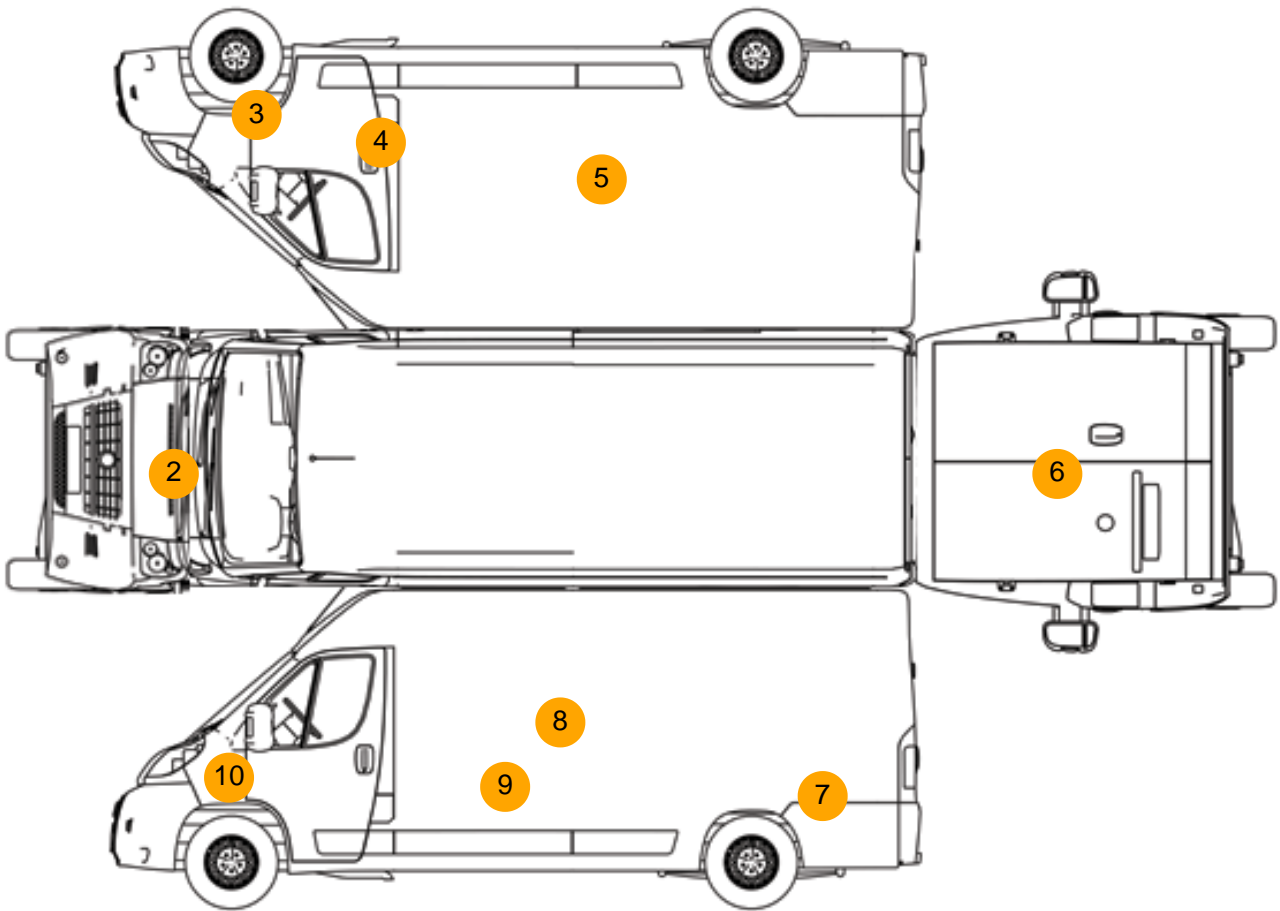
- Radio/CD
- Front electric windows
- Central locking

Photos





Condition Check



Damage Photos



1: Seat Base Cover of
Torn
Over 3mm

2: Bonnet
Dented
With Paint Damage



3: Wing osf
Rusted
Over 5mm

4: Door osf
Dented
With Paint Damage



5: Qtr Panel osr
Rusted
Over 5mm

6: Tailgate
Dented
With Paint Damage



7: Qtr Panel nsr
Rusted
Over 5mm

8: Door nsr
Dented
With Paint Damage



9: Qtr Panel Trim ns
Missing
Replace

10: Wing nsf
Dented
With Paint Damage

Interior

Carpet Condition	Average	Upholstery Condition	Average
Seat Condition	Average	Odour	No
Engine Runs	OK	Gearbox 1st and Reverse Test	OK
Brakes	OK	Clutch Slip Test from Static	OK
Turbo Boosting	OK	Gearbox Static Gear Selection (engine running)	OK
Parking Brake	OK	No Excessive Smoking	OK
EML light illuminated	OK	Oil warning light illuminated	OK
Airbag light illuminated	OK	DPF light illuminated	OK
ABS light illuminated	OK	Service indicator light illuminated	OK
Windows	OK	Radio	OK
		Steering	OK