



**COMMERCIAL VEHICLE AUCTIONS LTD**  
THE UK'S MOST ESTABLISHED COMMERCIAL VEHICLE AUCTIONEERS

Carr Hill Industrial Estate  
Doncaster  
DN4 8DE

01302 732600 | cva.noreply@cva-auctions.co.uk

# VEHICLE INSPECTION REPORT

**ST13HKD**

## Ford Transit T350 2.2 TDCI 100PS

### Inspection

Serious Damage? No

### Vehicle

VAT Plus VAT

V5 Present

### Details

Reg. date	17/06/2013	VIN	WF0XXXTTFXDU80146	CAP Average	£1,325.00
Year	2013	Body Style	Panel Van LWB	CAP Below	£900.00
Mileage	138,729 Miles Warranted	Service history	Yes	Gearbox	MANUAL
Fuel Type	Diesel	Service documents	Printout	Gears	6
GVW	3500kg	MOT Due	20/06/2026		
Colour	WHITE	CAP Clean	£1,700.00		

SIDE LOAD DOOR, HEATED WINDSCREEN.

### Tyres

NSF

NSR

OSF

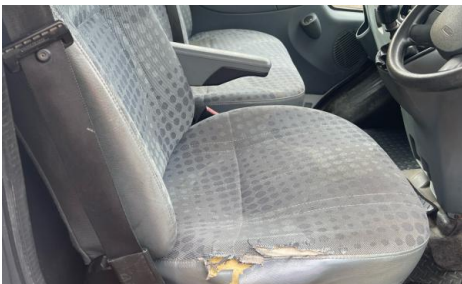
OSR

Spare

## Features

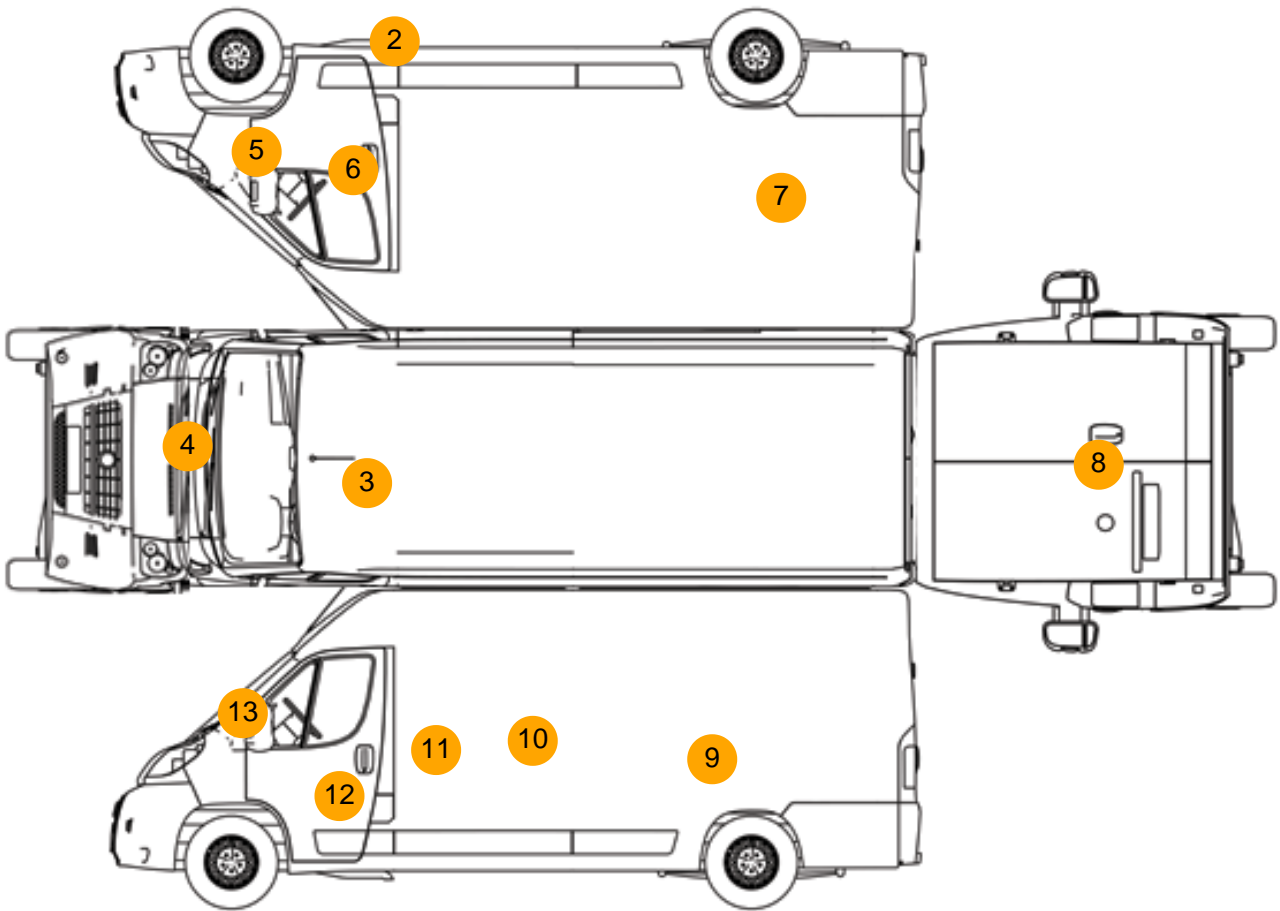
- Radio/CD
- Front electric windows
- Central locking

## Photos





## Condition Check



## Damage Photos



1: Seat Base Cover of  
Torn  
Over 3mm

2: Sill os  
Rusted  
Over 5mm



3: Roof  
Rusted  
Over 5mm

4: Bonnet  
Dented  
With Paint Damage



5: Wing osf  
Rusted  
Over 5mm

6: Door osf  
Rusted  
Over 5mm



7: Qtr Panel osr  
Rusted  
Over 5mm

8: Tailgate  
Dented  
Over 30mm



9: Qtr Panel nsr  
Rusted  
Over 5mm

10: Door nsr  
Dented  
With Paint Damage



11: B Post ns  
Rusted  
Over 5mm

12: Door nsf  
Dented  
With Paint Damage



13: Wing nsf  
Dented  
With Paint Damage

## Interior

<b>Carpet Condition</b>	Average	<b>Upholstery Condition</b>	Average
<b>Seat Condition</b>	Poor	<b>Odour</b>	No
Engine Runs	OK	Gearbox 1st and Reverse Test	OK
Brakes	OK	Clutch Slip Test from Static	OK
Turbo Boosting	OK	Gearbox Static Gear Selection (engine running)	OK
Parking Brake	OK	No Excessive Smoking	OK
EML light illuminated	OK	Oil warning light illuminated	OK
Airbag light illuminated	OK	DPF light illuminated	OK
ABS light illuminated	OK	Service indicator light illuminated	OK
Windows	OK	Radio	OK
		Steering	OK