



COMMERCIAL VEHICLE AUCTIONS LTD
THE UK'S MOST ESTABLISHED COMMERCIAL VEHICLE AUCTIONEERS

Carr Hill Industrial Estate
Doncaster
DN4 8DE

01302 732600 | cva.noreply@cva-auctions.co.uk

VEHICLE INSPECTION REPORT

SP63HYS

Ford Transit T300 2.2 TDCI 100PS

Inspection

Serious Damage? No

Vehicle

VAT Plus VAT

V5 Present

Details

Reg. date 24/09/2013

Year 2013

Mileage 105,355 Miles
Warranted

Fuel Type Diesel

GVW 3025kg

Colour WHITE

VIN WF0XXXTTFXDP39775

Body Style Panel Van MWB

Service history Yes

Service documents Printout

MOT Due 11/08/2026

CAP Clean £1,225.00

CAP Average £970.00

CAP Below £625.00

Gearbox MANUAL

Gears 6

Axle Combi 4x2

Rear Suspension Steel

Rear Doors Barn

Tyres

NSF

NSR

OSF

OSR

Spare

Features

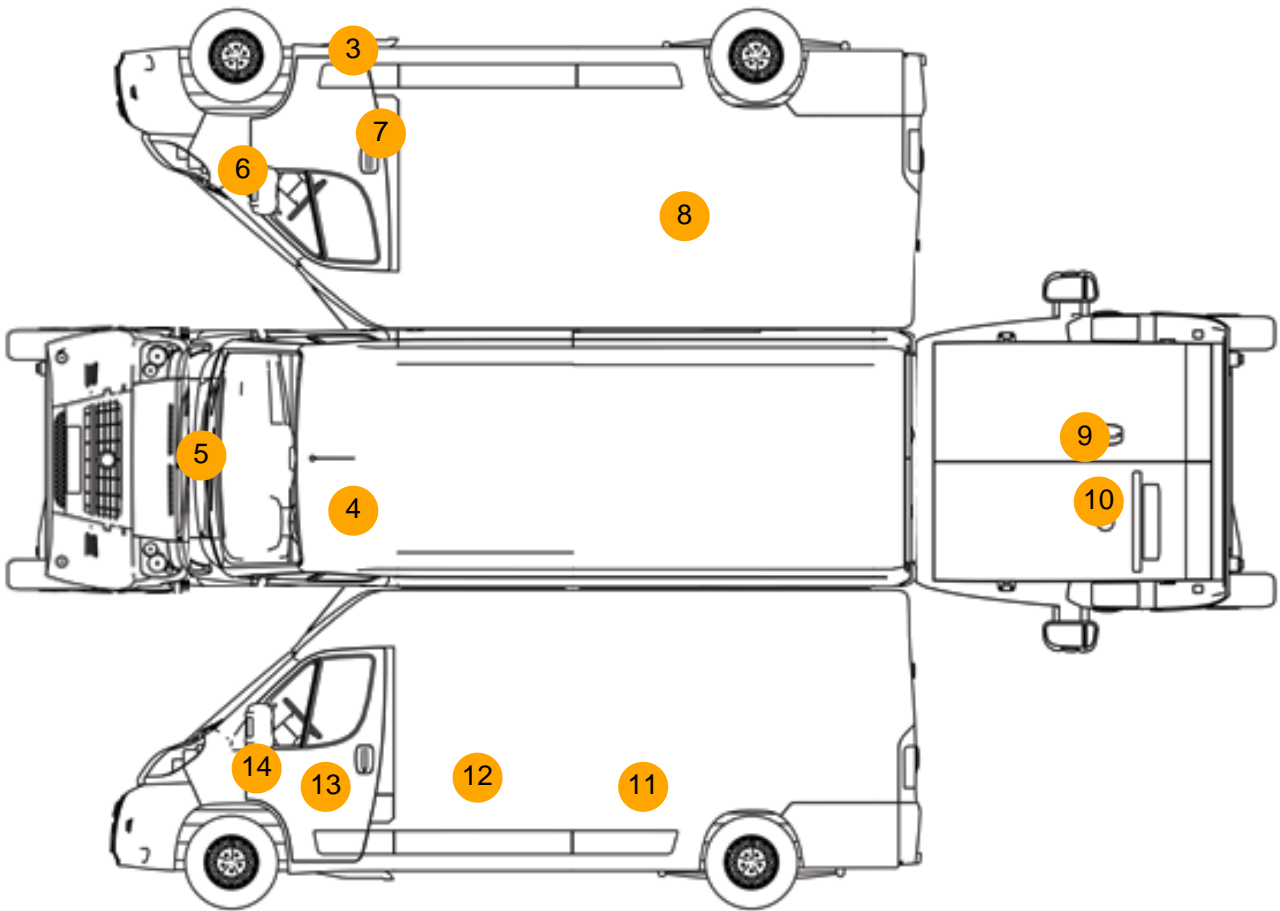
- Front electric windows
- Drivers airbag
- Central locking
- Cloth seat trim

Photos





Condition Check



Damage Photos



1: Carpets Front
Torn
Over 10mm



2: Seat Base Cover of
Torn
Over 3mm



3: Sill os
Rusted
Over 5mm



4: Roof
Rusted
Over 5mm



5: Bonnet
Dented
With Paint Damage



6: Wing osf
Dented
With Paint Damage



7: Door osf
Rusted
Over 5mm



8: Qtr Panel osr
Dented
With Paint Damage



9: Tailgate
Dented
With Paint Damage

10: Badgedecal Rear
Broken
Replace



11: Qtr Panel nsr
Rusted
Over 5mm

12: Door nsr
Dented
With Paint Damage



13: Door nsf
Rusted
Over 5mm

14: Wing nsf
Dented
Over 30mm

Interior

Carpet Condition	Poor	Upholstery Condition	Average
Seat Condition	Poor	Odour	No
Engine Runs	OK	Gearbox 1st and Reverse Test	OK
Brakes	OK	Clutch Slip Test from Static	OK
Turbo Boosting	OK	Gearbox Static Gear Selection (engine running)	OK
Parking Brake	OK	No Excessive Smoking	OK
EML light illuminated	OK	Oil warning light illuminated	OK
Airbag light illuminated	OK	DPF light illuminated	OK
ABS light illuminated	OK	Service indicator light illuminated	OK
Windows	OK	Radio	OK
		Steering	OK