



COMMERCIAL VEHICLE AUCTIONS LTD
THE UK'S MOST ESTABLISHED COMMERCIAL VEHICLE AUCTIONEERS

Carr Hill Industrial Estate
Doncaster
DN4 8DE

01302 732600 | cva.noreply@cva-auctions.co.uk

VEHICLE INSPECTION REPORT

SP63JFF

Ford Transit T300 2.2 TDCI 100PS

Inspection

Serious Damage? No

Vehicle

VAT Plus VAT

V5 Present

Details

Reg. date 24/09/2013

Year 2013

Mileage 149,062 Miles
Warranted

Fuel Type Diesel

GVW 3025kg

Colour WHITE

VIN WF0XXXTTFXDP39758

Body Style Panel Van

Service history Full

Service documents Printout

MOT Due 29/09/2026

CAP Clean £1,100.00

CAP Average £880.00

CAP Below £600.00

Gearbox MANUAL

Gears 6

Axle Combi 4x2

Rear Suspension Steel

Rear Doors Barn

Tyres

NSF

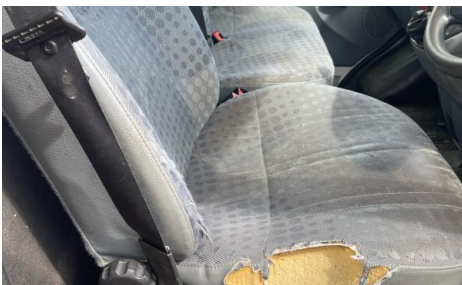
NSR

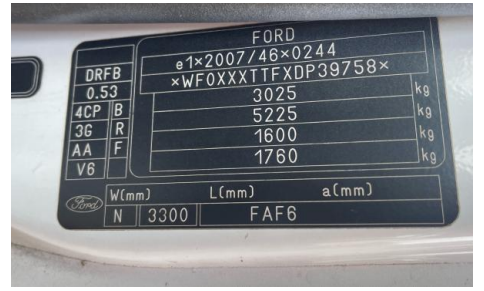
OSF

OSR

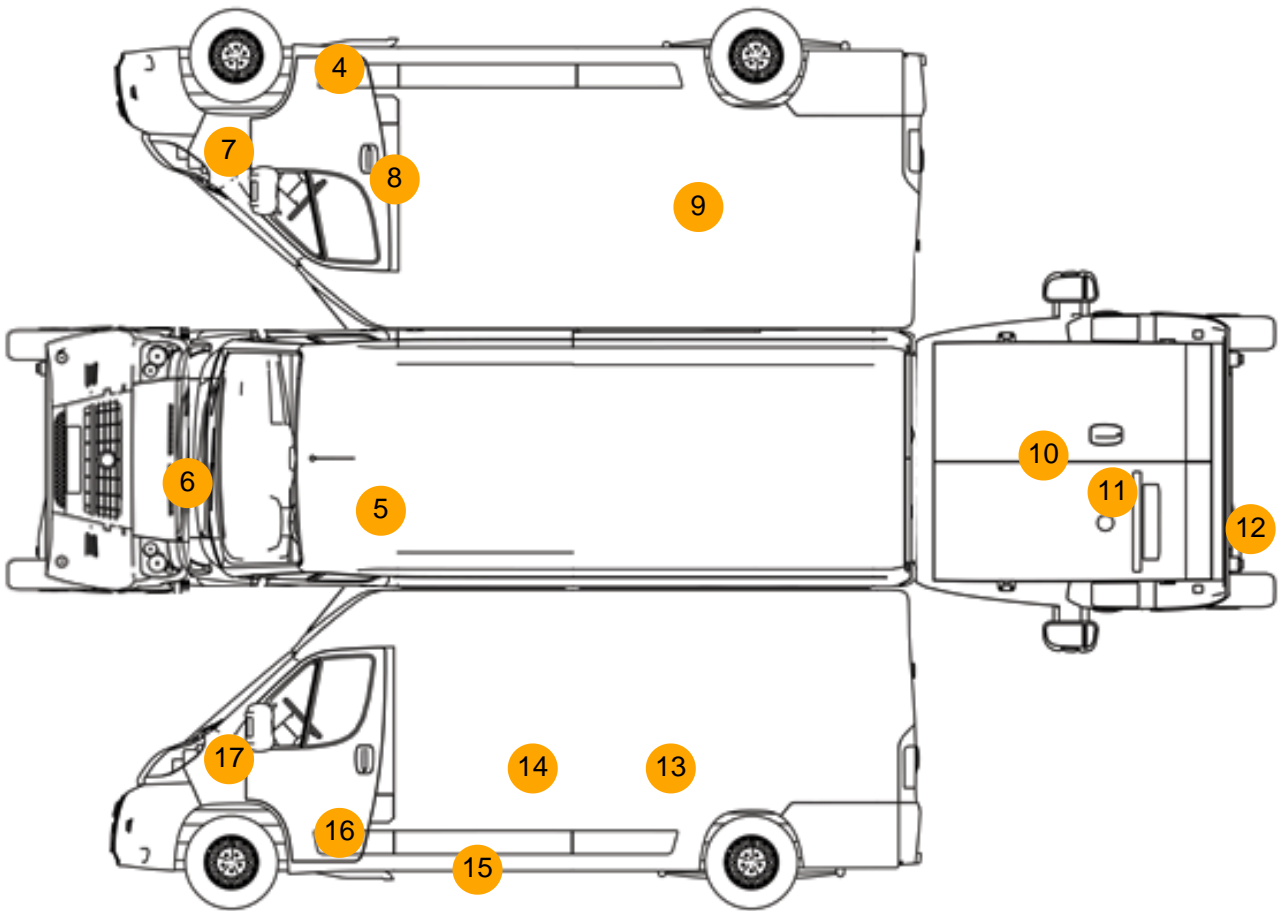
Spare

Photos





Condition Check



Damage Photos



1: Carpets Front
Holed
Over 3mm



2: Seat Base Cover of
Torn
Over 3mm



3: Seat Back Cover of
Torn
Over 3mm

4: Sill of
Rusted
Over 5mm



5: Roof
Rusted
Over 5mm

6: Bonnet
Rusted
Over 5mm



7: Wing of
Rusted
Over 5mm

8: Door of
Rusted
Over 5mm



9: Qtr Panel osr
Dented
With Paint Damage

10: Tailgate
Dented
With Paint Damage



11: Badgedecal Rear
Broken
Replace

12: Bumper Rear
Cracked
Over 25mm



13: Qtr Panel nsr
Dented
With Paint Damage

14: Door nsr
Dented
With Paint Damage



15: Sill ns
Rusted
Over 5mm

16: Door nsf
Rusted
Over 5mm



17: Wing nsf
Rusted
Over 5mm

Interior

Carpet Condition	Poor	Upholstery Condition	Poor
Seat Condition	Poor	Odour	No
Engine Runs	OK	Gearbox 1st and Reverse Test	OK
Brakes	OK	Clutch Slip Test from Static	OK
Turbo Boosting	OK	Gearbox Static Gear Selection (engine running)	OK
Parking Brake	OK	No Excessive Smoking	OK
EML light illuminated	OK	Oil warning light illuminated	OK
Airbag light illuminated	OK	DPF light illuminated	OK
ABS light illuminated	OK	Service indicator light illuminated	OK

Windows

OK

Radio

OK

Steering

OK