



**COMMERCIAL VEHICLE AUCTIONS LTD**  
THE UK'S MOST ESTABLISHED COMMERCIAL VEHICLE AUCTIONEERS

Carr Hill Industrial Estate  
Doncaster  
DN4 8DE

01302 732600 | cva.noreply@cva-auctions.co.uk

# VEHICLE INSPECTION REPORT

**SP63JEU**

## Ford Transit T300 2.2 TDCi 100PS

Inspection		Vehicle	
Serious Damage?	No	VAT	Plus VAT
		V5	Present

### Details

Reg. date	07/11/2013	VIN	WF0XXXTTFXDP42487	CAP Average	£1,175.00
Year	2013	Body Style	Panel Van MWB	CAP Below	£780.00
Mileage	69,733 Miles Warranted	Service history	Yes	Gearbox	MANUAL
Fuel Type	Diesel	Service documents	Service Book	Gears	6
GVW	3025kg	MOT Due	10/11/2026		
Colour	WHITE	CAP Clean	£1,525.00		

SIDE LOAD DOOR

### Tyres

NSF
NSR
OSF
OSR
Spare

## Features

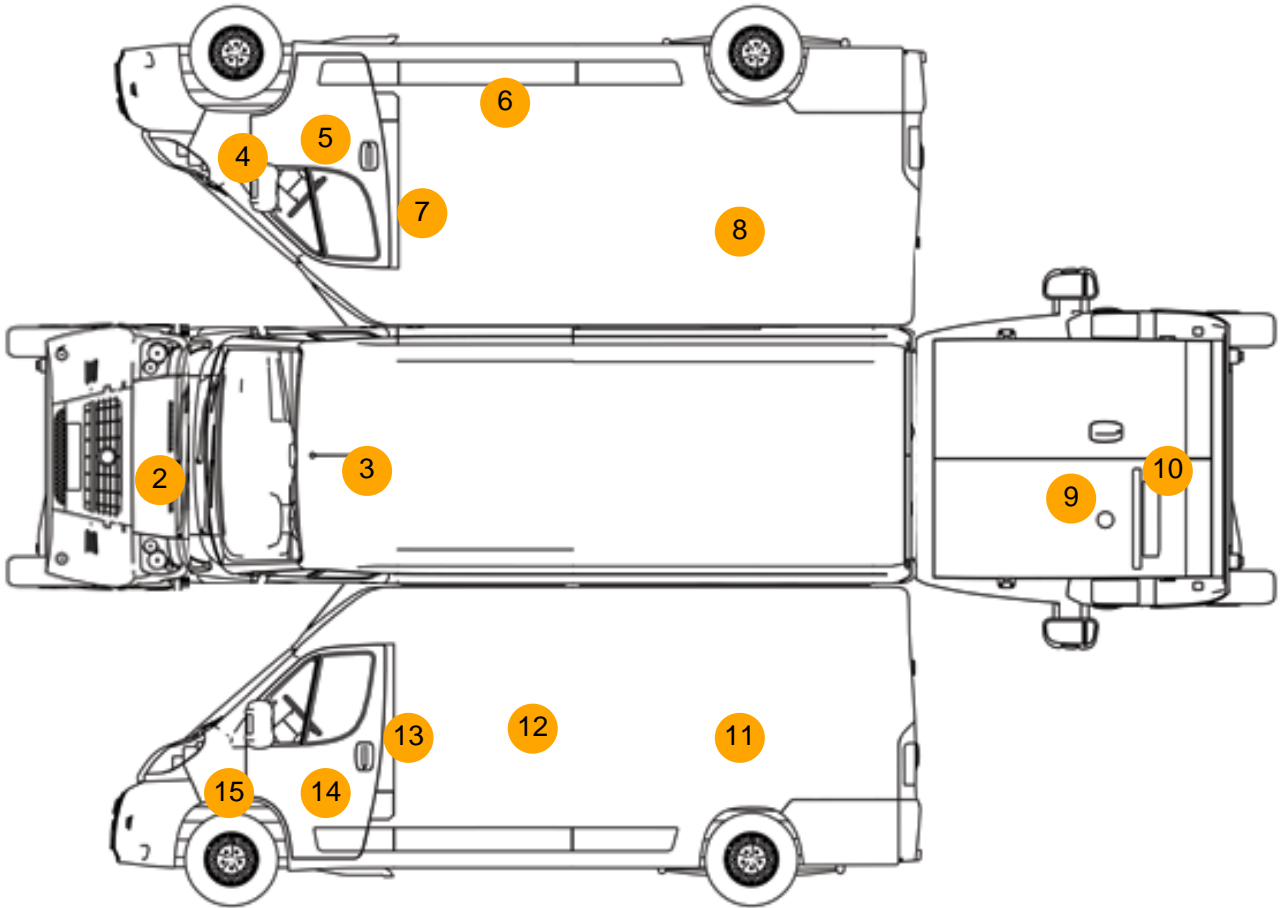
- Radio/CD
- Front electric windows

## Photos





## Condition Check



## Damage Photos



1: Carpets Front  
Torn  
Over 10mm

2: Bonnet  
Rusted  
Over 5mm



3: Roof  
Rusted  
Over 5mm

4: Wing osf  
Rusted  
Over 5mm



5: Door osf  
Rusted  
Over 5mm

6: Sill os  
Rusted  
Over 5mm



7: B Post os  
Rusted  
Over 5mm

8: Qtr Panel osr  
Rusted  
Over 5mm



9: Tailgate  
Dented  
Over 30mm

10: Badgedecal Rear  
Broken  
Replace



11: Qtr Panel nsr  
Rusted  
Over 5mm

12: Door nsr  
Dented  
With Paint Damage



13: B Post ns  
Rusted  
Over 5mm

14: Door nsf  
Rusted  
Over 5mm



15: Wing nsf  
Dented  
With Paint Damage

### Interior

Carpet Condition	Poor	Upholstery Condition	Average
Seat Condition	Average	Odour	No
Engine Runs	OK	Gearbox 1st and Reverse Test	OK
Brakes	OK	Clutch Slip Test from Static	OK
Turbo Boosting	OK	Gearbox Static Gear Selection (engine running)	OK
Parking Brake	OK	No Excessive Smoking	OK
EML light illuminated	OK	Oil warning light illuminated	OK
Airbag light illuminated	OK	DPF light illuminated	OK
ABS light illuminated	OK	Service indicator light illuminated	OK
Windows	OK	Radio	OK
		Steering	OK