



**COMMERCIAL VEHICLE AUCTIONS LTD**  
THE UK'S MOST ESTABLISHED COMMERCIAL VEHICLE AUCTIONEERS

Carr Hill Industrial Estate  
Doncaster  
DN4 8DE

01302 732600 | [cva.noreply@cva-auctions.co.uk](mailto:cva.noreply@cva-auctions.co.uk)

# VEHICLE INSPECTION REPORT

**NU21XMJ**

## Iveco Stralis 460

| Inspection      |    | Vehicle |           |
|-----------------|----|---------|-----------|
| Serious Damage? | No | VAT     | Plus VAT  |
|                 |    | V5      | To Follow |

| Details   |                      |                 |                   |
|-----------|----------------------|-----------------|-------------------|
| Reg. date | 20/04/2021           | Colour          | WHITE             |
| Year      | 2021                 | VIN             | WJMS62NT80C422387 |
| Mileage   | 435,614 Km Warranted | Body Style      | Tractor Unit      |
| Fuel Type | Diesel               | MOT Due         | 30/04/2027        |
| GVW       | 44000kg              | Cab Type        | HI-WAY CAB        |
|           |                      | Gearbox         | AUTOMATIC         |
|           |                      | Axle Combi      | 6x2               |
|           |                      | Steering Combi  | Mid-Lift Steer    |
|           |                      | Rear Suspension | Air               |

SLIDING 5TH WHEEL, SURROIND CAMERA SYSTEM

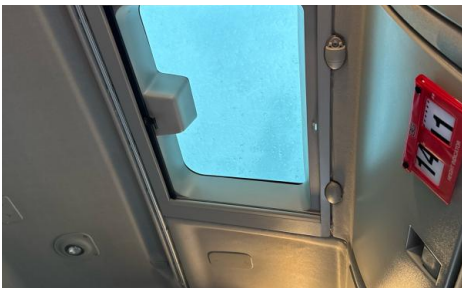
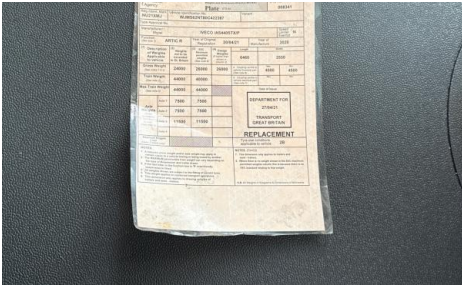
| Tyres |      |      |      |      |
|-------|------|------|------|------|
| NSF   | NSI1 | NSI2 | NSI3 | NSI4 |
| OSF   | OSI1 | OSI2 | OSI3 | OSI4 |
| Spare | NSO1 | NSO2 | NSO3 | NSO4 |
|       | OSO1 | OSO2 | OSO3 | OSO4 |

## Features

- Bluetooth connection
- Air conditioning
- Cruise control
- Front electric windows
- Park assist camera
- Central locking
- Digital radio
- Cloth seat trim

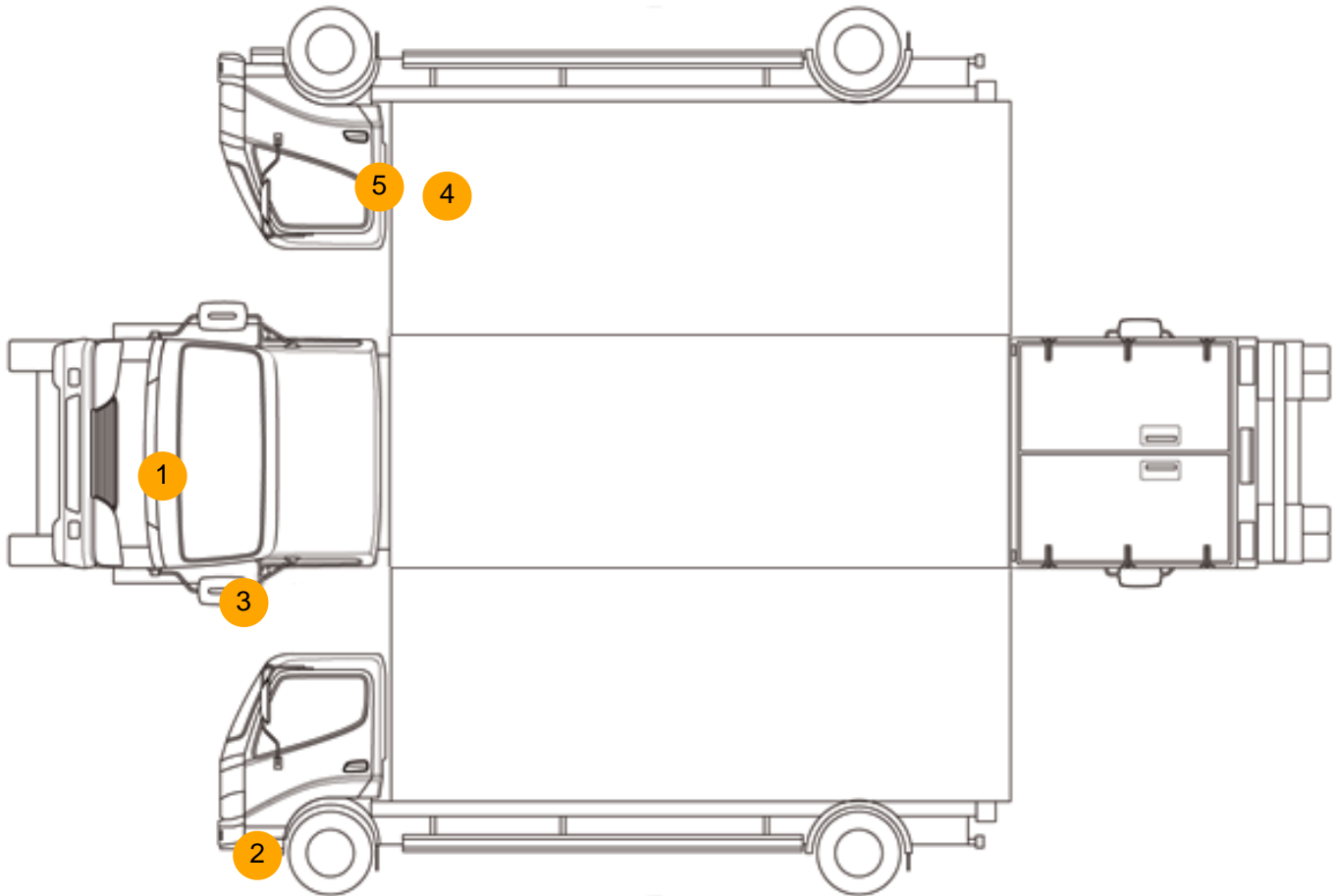
## Photos







## Condition Check



## Damage Photos



1: Bonnet  
Chipped  
Multiple Chips

2: Bumper Front  
Scratched  
Over 100mm Thru Paint



3: Door Mirror Assy nsf  
Broken  
Replace

4: Qtr Panel osr  
Chipped  
Multiple Chips



5: Door osf  
Scratched  
Over 25mm Thru Paint

6: Seat Base Cover osf  
Burn  
Over 3mm

**Interior**

**Carpet Condition**  
**Seat Condition**

OK  
Poor

**Upholstery Condition**  
**Odour**

OK  
-

|                       |    |                       |    |
|-----------------------|----|-----------------------|----|
| Engine Runs           | OK | No Excessive Smoking  | OK |
| EML light illuminated | OK | DPF light illuminated | OK |
| ABS light illuminated | OK |                       |    |