



COMMERCIAL VEHICLE AUCTIONS LTD
THE UK'S MOST ESTABLISHED COMMERCIAL VEHICLE AUCTIONEERS

Carr Hill Industrial Estate
Doncaster
DN4 8DE

01302 732600 | cva.noreply@cva-auctions.co.uk

VEHICLE INSPECTION REPORT

ST62MHZ

Ford Transit T300 2.2TDCi 100ps

Inspection

Serious Damage? No

Vehicle

VAT Plus VAT
V5 Present

Details

Reg. date	20/02/2013	Body Style	Panel Van LWB	Gearbox	MANUAL
Year	2013	Service history	Full	Gears	6
Mileage	81,263 Miles Warranted	Service documents	Printout	Axle Combi	4x2
Fuel Type	Diesel	MOT Due	07/03/2027	Rear Suspension	Steel
GVW	3025kg	CAP Clean	£1,300.00	Rear Doors	Barn
Colour	WHITE	CAP Average	£1,025.00		
VIN	WF0XXXTTFXCS82873	CAP Below	£675.00		

Tyres

NSF
NSR
OSF
OSR
Spare

Features

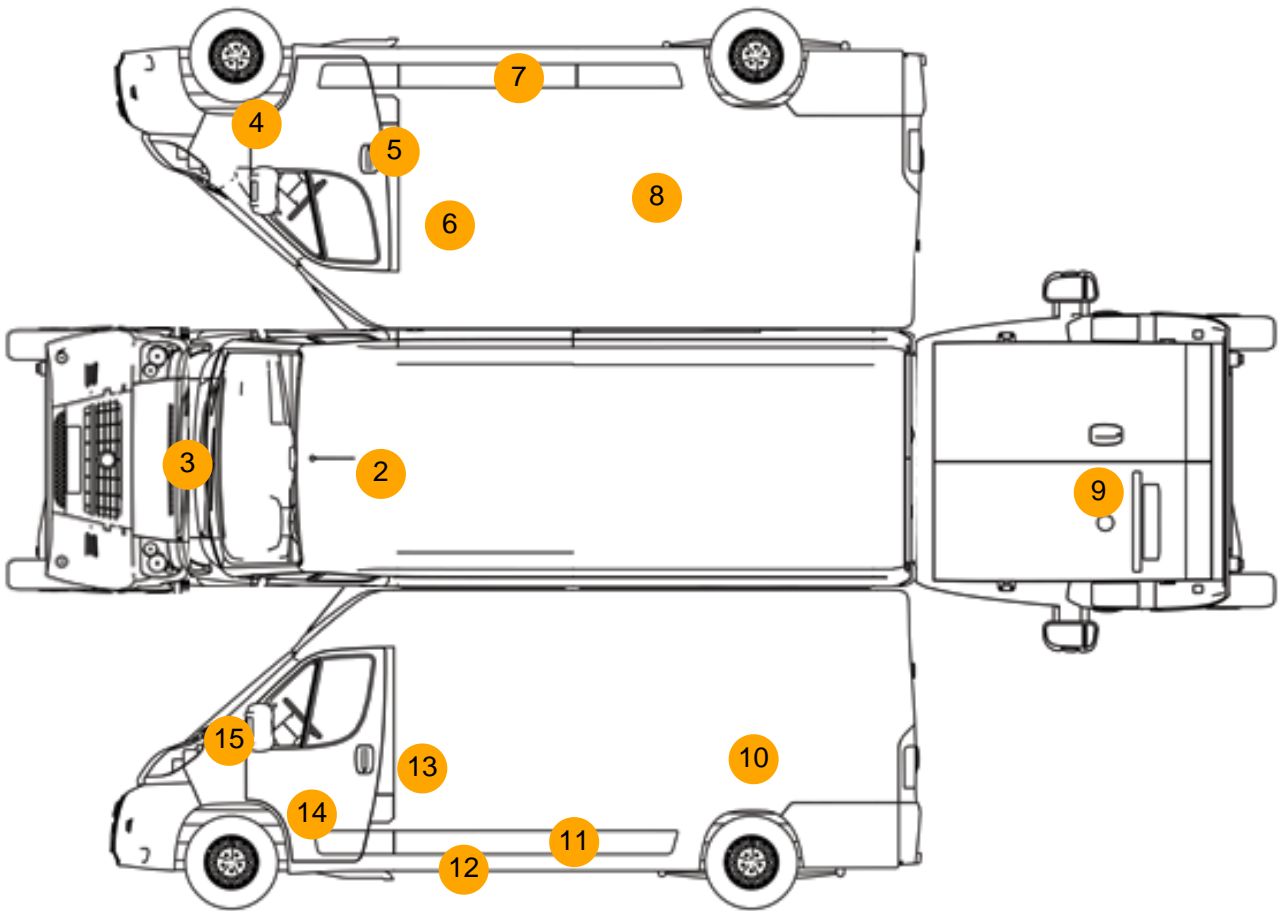
- Front electric windows
- Drivers airbag
- Cloth seat trim

Photos





Condition Check



Damage Photos



1: Seat Base Cover of
Torn
Over 3mm

2: Roof
Rusted
Over 5mm



3: Bonnet
Rusted
Over 5mm

4: Wing osf
Rusted
Over 5mm



5: Door osf
Rusted
Over 5mm

6: B Post os
Rusted
Over 5mm



7: Sill os
Rusted
Over 5mm

8: Qtr Panel osr
Rusted
Over 5mm



9: Tailgate
Dented
With Paint Damage

10: Qtr Panel nsr
Dented
With Paint Damage



11: Door nsr
Rusted
Up To 5mm

12: Sill ns
Rusted
Over 5mm



13: B Post ns
Rusted
Over 5mm

14: Door nsf
Rusted
Over 5mm



15: Wing nsf
Dented
With Paint Damage

Interior

Carpet Condition	Average	Upholstery Condition	Average
Seat Condition	Average	Odour	No
Engine Runs	OK	Gearbox 1st and Reverse Test	OK
Brakes	OK	Clutch Slip Test from Static	OK
Turbo Boosting	OK	Gearbox Static Gear Selection (engine running)	OK
Parking Brake	OK	No Excessive Smoking	OK
EML light illuminated	OK	Oil warning light illuminated	OK
Airbag light illuminated	OK	DPF light illuminated	OK
ABS light illuminated	OK	Service indicator light illuminated	OK
Windows	OK	Radio	OK
		Steering	OK