



**COMMERCIAL VEHICLE AUCTIONS LTD**  
THE UK'S MOST ESTABLISHED COMMERCIAL VEHICLE AUCTIONEERS

Carr Hill Industrial Estate  
Doncaster  
DN4 8DE

01302 732600 | cva.noreply@cva-auctions.co.uk

# VEHICLE INSPECTION REPORT

**RK22JOU**

## Daf LF 210

Inspection		Vehicle	
Serious Damage?	No	VAT	Plus VAT
		V5	Buyer To Apply

Details			
Reg. date	05/07/2022	Colour	PINK
Year	2022	VIN	XLRAEL1500L514448
Mileage	71,551 Km Not Warranted	Body Style	Box Van
Fuel Type	Diesel	MOT Due	31/07/2026
GVW	7500kg	Cab Type	HIGH ROOF SLEEPER CAB
		Gearbox	MANUAL
		Axle Combi	4x2
		Rear Suspension	Air
		Rear Doors	Barn

MANUAL RAMPS, TWIN SIDE BARN LOADING DOORS

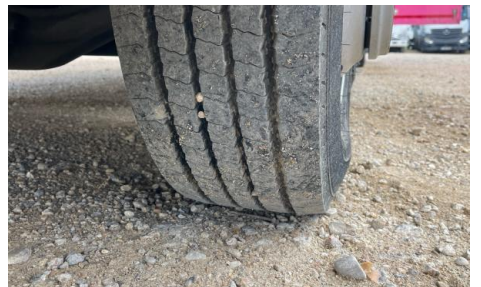
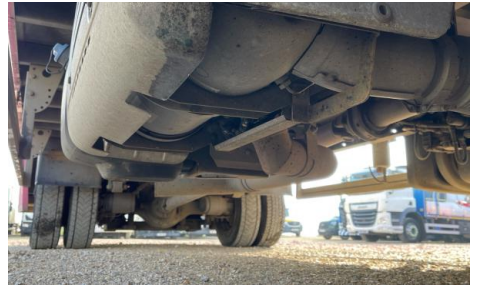
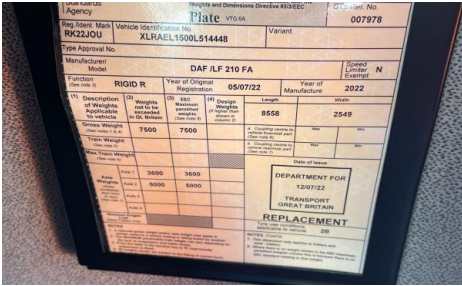
Tyres				
NSF	NSI1	NSI2	NSI3	NSI4
OSF	OSI1	OSI2	OSI3	OSI4
Spare	NSO1	NSO2	NSO3	NSO4
	OSO1	OSO2	OSO3	OSO4

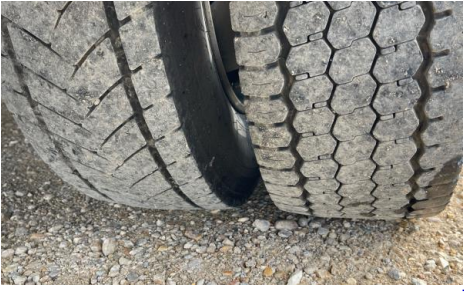
## Features

- Air conditioning

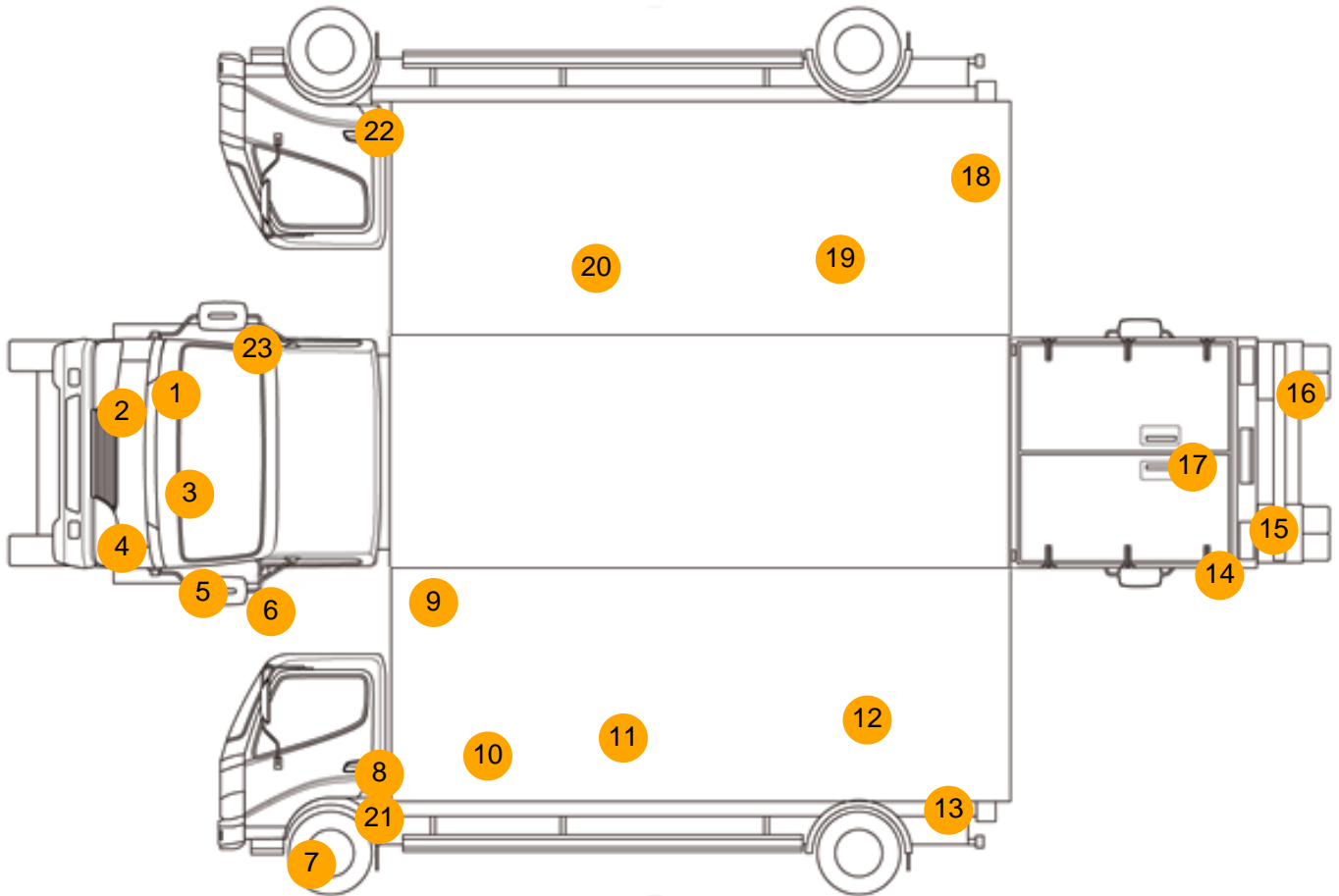
## Photos







## Condition Check



## Damage Photos



1: Wing ofsf  
Cracked  
Replace

2: Bumper Front  
Scratched  
25 to 100mm Thru Paint



3: Bonnet  
Chipped  
1 To 5

4: Bumper Front  
Dented  
With Paint Damage



5: Wing nsf  
Scratched  
Over 25mm Thru Paint

6: Door Mirror Assy nsf  
Broken  
Replace



7: Wing Front Arch Extension ns  
Scuffed (Unpainted)  
Over 100mm

8: Door nsf  
Scratched  
Over 25mm Not Thru Paint



9: Roof  
Cracked  
Replace

10: Door nsr  
Scratched  
Over 25mm Thru Paint



11: Door nsr  
Poor Previous Repair  
Poor Colour

12: Qtr Panel nsr  
Scratched  
Over 25mm Not Thru Paint



13: Qtr Panel nsr  
Scratched  
Over 25mm Thru Paint

14: Door nsr  
Poor Previous Repair  
Poor Colour



15: Lamp nsr  
Broken  
Replace

16: Lamp osr  
Broken  
Replace



17: Door osr  
Dented  
With Paint Damage

18: Qtr Panel osr  
Cracked  
Replace



19: Qtr Panel osr  
Scratched  
Over 25mm Not Thru Paint

20: Qtr Panel osr  
Scratched  
Over 25mm Thru Paint



21: Flasher Side Repeater ns  
Broken  
Replace

22: Flasher Side Repeater os  
Broken  
Replace



23: Door Mirror Assy osf  
Scuffed (Unpainted)  
Over 100mm

24: Fascia Trim  
Damaged  
Replace

**Interior**

Carpet Condition	Average	Upholstery Condition	Average
Seat Condition	Average	Odour	-
Engine Runs	OK	Gearbox 1st and Reverse Test	OK
Brakes	OK	Clutch Slip Test from Static	OK
Parking Brake	OK	Gearbox Static Gear Selection (engine running)	OK
		No Excessive Smoking	OK
EML light illuminated	OK	Oil warning light illuminated	OK
Airbag light illuminated	OK	DPF light illuminated	OK
ABS light illuminated	OK	Service indicator light illuminated	OK