



COMMERCIAL VEHICLE AUCTIONS LTD
THE UK'S MOST ESTABLISHED COMMERCIAL VEHICLE AUCTIONEERS

Carr Hill Industrial Estate
Doncaster
DN4 8DE

01302 732600 | cva.noreply@cva-auctions.co.uk

VEHICLE INSPECTION REPORT

MJ07HHV

Ford Transit T350 2.4 TDCI 115PS

Inspection		Vehicle	
Serious Damage?	No	VAT	Plus VAT
		V5	Present

Details					
Reg. date	16/05/2007	Colour	BLUE	CAP Average	£940.00
Year	2007	VIN	WF0XXTTFX7D17063	CAP Below	£640.00
Mileage	124,350 Miles Warranted	Body Style	Panel Van MWB	Gearbox	Manual
Fuel Type	Diesel	MOT Due	Expired	Gears	6
GVW	3500kg	CAP Clean	£1,200.00		

NO REAR ACCESS

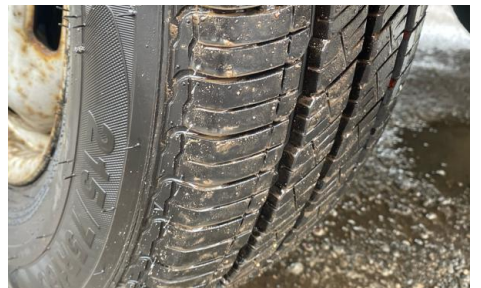
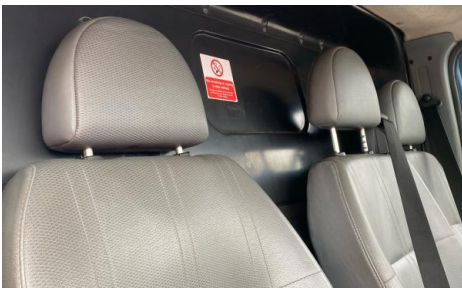
Tyres
NSF
NSR
OSF
OSR
Spare

Features

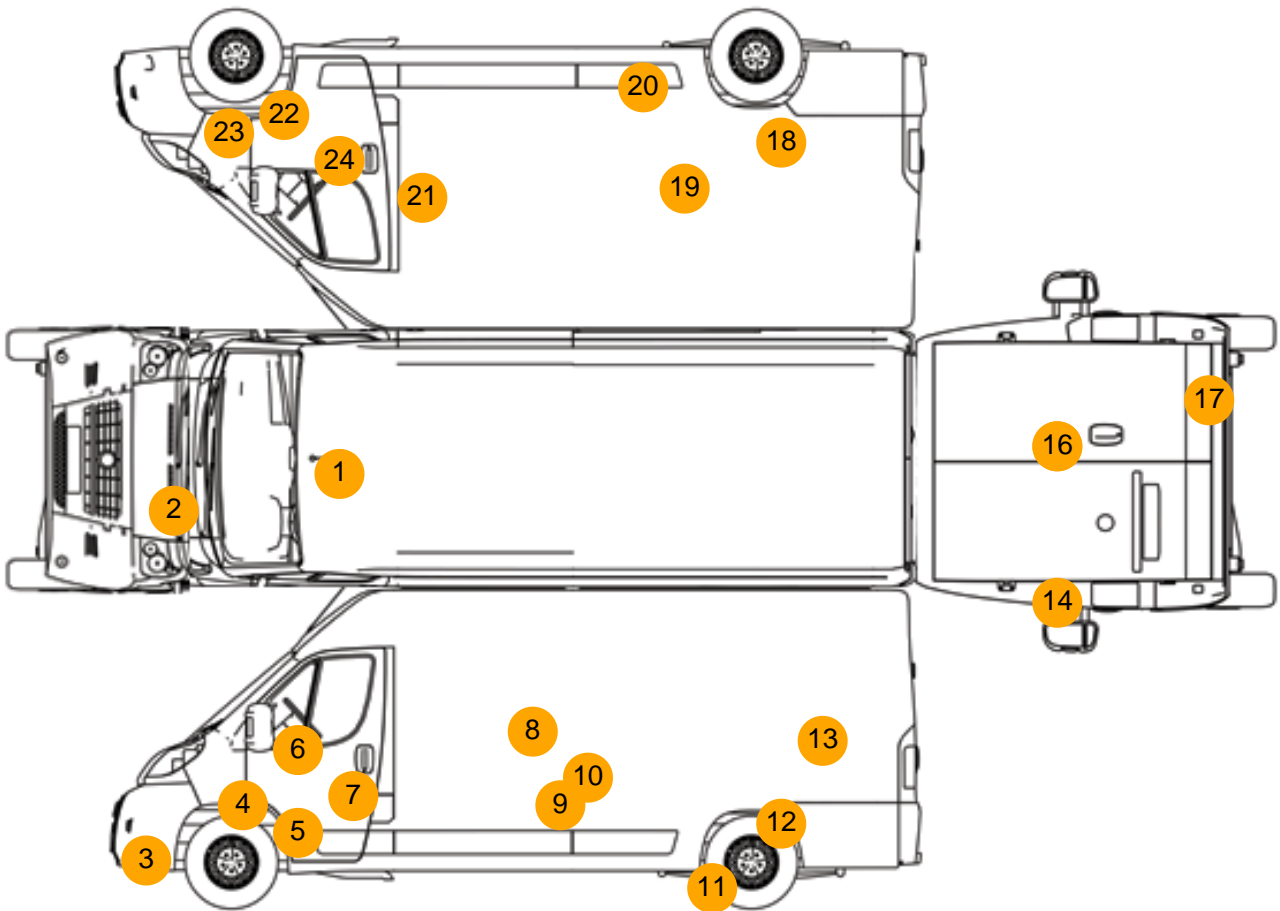
- Rear parking sensor
- Radio/CD
- Front electric windows
- Drivers airbag
- Passenger airbag
- Central locking
- Cloth seat trim

Photos





Condition Check

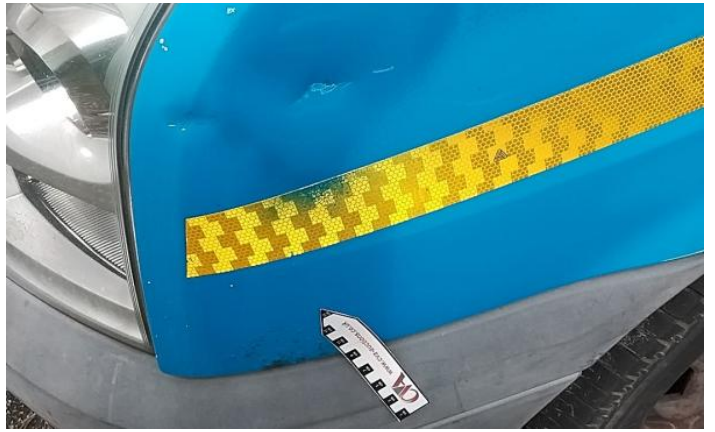


Damage Photos



1: Roof
Chipped
Multiple Chips

2: Bonnet
Chipped
Multiple Chips



3: Bumper Front
Scratched
Over 100mm Thru Paint

4: Wing nsf
Dented
With Paint Damage



5: Wing nsf
Rusted
Over 5mm

6: Door Mirror Assy nsf
Scuffed (Unpainted)
UpTo 100mm



7: Door nsf
Scratched
Over 25mm Thru Paint

8: Qtr Panel nsr
Scratched
Over 25mm Thru Paint



9: Qtr Panel nsr
Scratched
Over 25mm Thru Paint

10: Qtr Panel nsr
Dented
Over 30mm



11: Sill ns
Rusted
Over 5mm

12: Qtr Panel nsr
Rusted
Over 5mm



13: Qtr Panel nsr
Chipped
Multiple Chips

14: C Post ns
Dented
With Paint Damage



15: Door osr
Dented
Over 30mm



16: Door osr
Scratched
Over 25mm Thru Paint



17: Door osr
Dented
With Paint Damage



18: Qtr Panel osr
Rusted
Over 5mm



19: Qtr Panel osr
Rusted
Over 5mm



20: Sill os
Dented
With Paint Damage



21: Door osf
 Scratched
 Over 25mm Thru Paint

22: Wing osf
 Rusted
 Over 5mm



23: Wing osf
 Poor Previous Repair
 Rippled UpTo 30%

24: Badgedecal Front
 Missing
 Replace

Interior

Carpet Condition -
Seat Condition -

Upholstery Condition -
Odour -

Engine Runs	OK	No Excessive Smoking	OK
EML light illuminated	OK	DPF light illuminated	OK
ABS light illuminated	OK		