



**COMMERCIAL VEHICLE AUCTIONS LTD**  
THE UK'S MOST ESTABLISHED COMMERCIAL VEHICLE AUCTIONEERS

Carr Hill Industrial Estate  
Doncaster  
DN4 8DE

01302 732600 | cva.noreply@cva-auctions.co.uk

# VEHICLE INSPECTION REPORT

**MJ07HHU**

## Ford Transit T350 2.4 TDCI 115PS

Inspection		Vehicle	
Serious Damage?	No	VAT	Plus VAT
		V5	Present

Details					
Reg. date	16/05/2007	GVW	3500kg	MOT Due	Expired
Year	2007	Colour	BLUE	Gearbox	MANUAL
Mileage	105,343 Miles Warranted	VIN	WF0XXXTTFX7D17061	Gears	6
Fuel Type	Diesel	Body Style	Panel Van MWB		

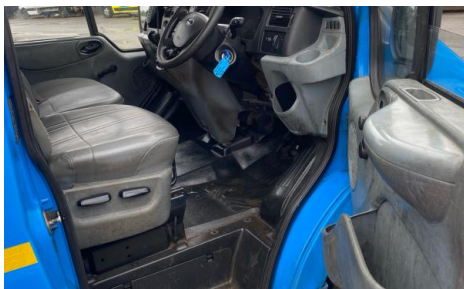
SIDE LOAD DOOR, TOW BAR

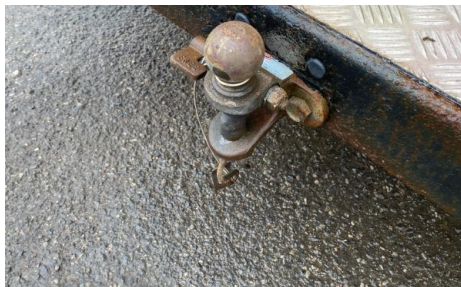
Tyres	
NSF	
NSR	
OSF	
OSR	
Spare	

## Features

- Radio/CD
- Central locking
- Front electric windows
- Cloth seat trim
- Drivers airbag
- Passenger airbag

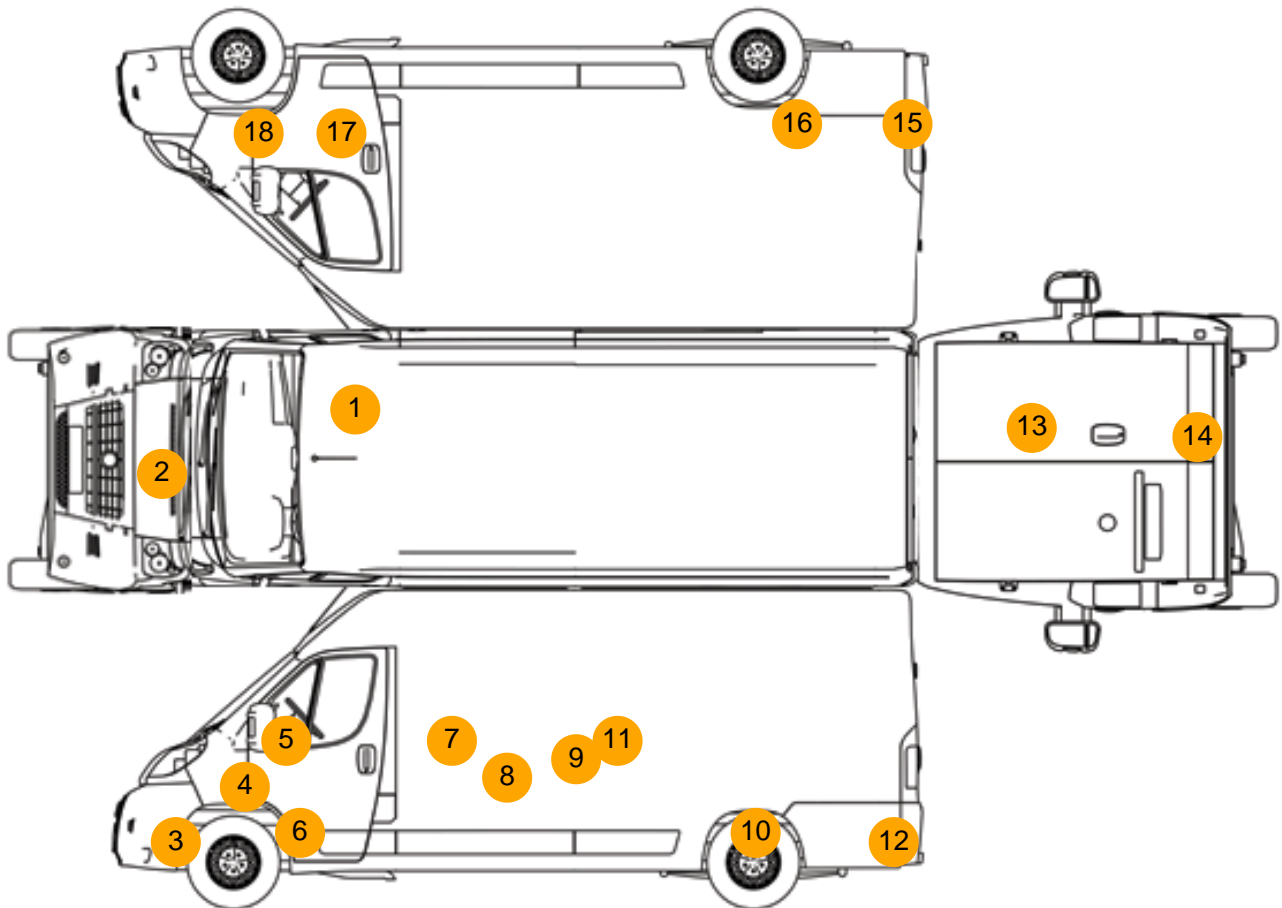
## Photos







## Condition Check



## Damage Photos



1: Roof  
Dented  
Over 30mm

2: Bonnet  
Chipped  
Multiple Chips



3: Bumper Front  
Scratched  
Over 100mm Thru Paint

4: Wing nsf  
Scratched  
Over 25mm Thru Paint



5: Door Mirror Assy nsf  
Scuffed (Unpainted)  
Over 100mm

6: Wing nsf  
Rusted  
Over 5mm



7: Qtr Panel nsr  
Dented  
Over 30mm

8: Qtr Panel nsr  
Chipped  
Multiple Chips



9: Qtr Panel nsr  
Dented  
Over 30mm

10: Qtr Panel nsr  
Rusted  
Over 5mm



11: Qtr Panel nsr  
Scratched  
Over 25mm Thru Paint

12: Qtr Panel Moulding ns  
Scuffed (Unpainted)  
Over 100mm



13: Door osr  
Dented  
With Paint Damage

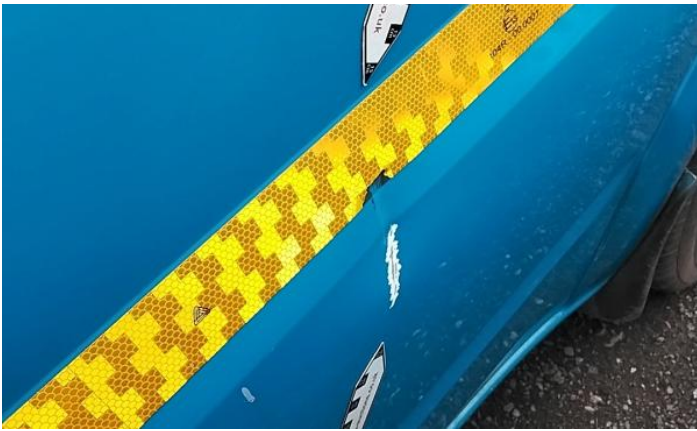
14: Door osr  
Dented  
Over 30mm



15: Qtr Panel Moulding os  
Scuffed (Unpainted)  
Over 100mm



16: Qtr Panel osr  
Rusted  
Over 5mm



17: Door osf  
Dented  
With Paint Damage



18: Wing osf  
Rusted  
Over 5mm



19: Door Pad osf  
Soiled  
Heavy



20: Carpets Front  
Torn  
Over 10mm



21: Seat Back Cover osf  
Torn  
Over 3mm

22: Seat Base Cover nsf  
Soiled  
Heavy



23: Door Pad nsf  
Soiled  
Heavy

**Interior**

<b>Carpet Condition</b>	Poor	<b>Upholstery Condition</b>	Poor
<b>Seat Condition</b>	Poor	<b>Odour</b>	No
Engine Runs	OK	No Excessive Smoking	OK
EML light illuminated	OK	DPF light illuminated	OK
ABS light illuminated	OK		