



**COMMERCIAL VEHICLE AUCTIONS LTD**  
THE UK'S MOST ESTABLISHED COMMERCIAL VEHICLE AUCTIONEERS

Carr Hill Industrial Estate  
Doncaster  
DN4 8DE

01302 732600 | cva.noreply@cva-auctions.co.uk

# VEHICLE INSPECTION REPORT

**BX67CSZ**

## Renault Master 35 2.3 DCI 135PS

Inspection		Vehicle	
Serious Damage?	No	VAT	Plus VAT
		V5	Present

Details					
Reg. date	01/02/2018	Colour	WHITE	CAP Average	£1,950.00
Year	2018	VIN	VF6MF000258214747	CAP Below	£1,400.00
Mileage	162,324 Miles Warranted	Body Style	Panel Van	Gearbox	MANUAL
Fuel Type	Diesel	MOT Due	Expired		
GVW	3500kg	CAP Clean	£2,350.00		

AD-BLUE, SIDE LOAD DOOR, E/ MIRRORS

Tyres				
NSF	NSI1	NSI2	NSI3	NSI4
OSF	OSI1	OSI2	OSI3	OSI4
Spare	NSO1	NSO2	NSO3	NSO4
	OSO1	OSO2	OSO3	OSO4

## Features

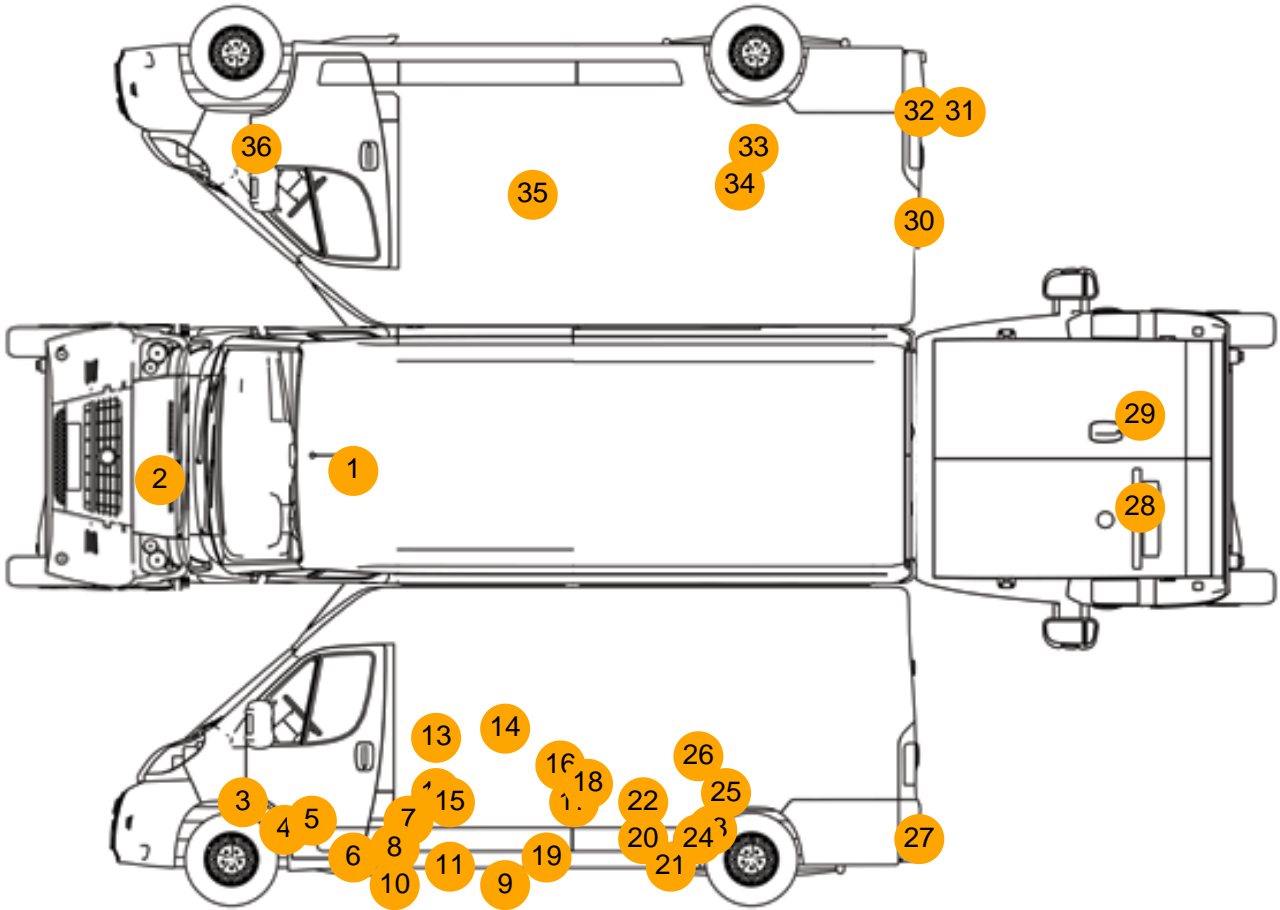
- Bluetooth connection
- Auxiliary input socket
- Drivers airbag
- Cruise control
- Digital radio
- Passenger airbag
- Park assist camera
- Air conditioning
- Central locking
- Rear parking sensor
- Front electric windows
- Cloth seat trim

## Photos





# Condition Check



## Damage Photos



1: Roof  
Chipped  
Multiple Chips



2: Bonnet  
Chipped  
Multiple Chips



3: Wing nsf  
Dented  
With Paint Damage

4: Wing nsf  
Dented  
With Paint Damage



5: Door nsf  
Scratched  
Over 25mm Not Thru Paint

6: Door Moulding nsf  
Scuffed (Unpainted)  
Over 100mm



7: Fuel Flap  
Missing  
Replace

8: B Post ns  
Dented  
With Paint Damage



9: Sill ns  
Dented  
Over 30% Of Panel

10: B Post ns  
Dented  
Over 30mm



11: Qtr Panel nsr  
Dented  
Over 30mm

12: Qtr Panel nsr  
Dented  
With Paint Damage



13: Qtr Panel nsr  
Dented  
With Paint Damage

14: Qtr Panel nsr  
Scratched  
Over 25mm Thru Paint



15: Qtr Panel nsr  
Dented  
With Paint Damage

16: Qtr Panel nsr  
Dented  
Over 30mm



17: Qtr Panel nsr  
Dented  
With Paint Damage

18: Qtr Panel nsr  
Dented  
With Paint Damage



19: Qtr Panel Moulding ns  
Scuffed (Unpainted)  
Over 100mm

20: Qtr Panel Moulding ns  
Scuffed (Unpainted)  
Over 100mm



21: Qtr Panel nsr  
Dented  
With Paint Damage

22: Qtr Panel nsr  
Dented  
With Paint Damage



23: Qtr Panel nsr  
Dented  
With Paint Damage

24: Qtr Panel Moulding ns  
Missing  
Replace



25: Qtr Panel nsr  
Dented  
With Paint Damage

26: Qtr Panel nsr  
Dented  
With Paint Damage



27: Qtr Panel Moulding ns  
Broken  
Replace

28: Door nsr  
Dented  
Over 30% Of Panel



29: Door osr  
Dented  
Over 30% Of Panel

30: Qtr Panel osr  
Scratched  
Over 25mm Thru Paint



31: Bumper Rear Moulding  
Scuffed (Unpainted)  
Over 100mm

32: Qtr Panel Moulding os  
Scuffed (Unpainted)  
Over 100mm



33: Qtr Panel osr  
Dented  
With Paint Damage

34: Qtr Panel osr  
Dented  
With Paint Damage



35: Qtr Panel osr  
Dented  
Over 30% Of Panel

36: Wing osf  
Dented  
With Paint Damage



37: Seat Base Cover osf  
Torn  
Over 3mm

38: Carpets Front  
Torn  
Over 10mm



39: Seat Base Cover nsf  
Soiled  
Heavy

### Interior

<b>Carpet Condition</b>	Poor	<b>Upholstery Condition</b>	OK
<b>Seat Condition</b>	Poor	<b>Odour</b>	-
Engine Runs	OK	No Excessive Smoking	OK
EML light illuminated	OK	DPF light illuminated	OK
ABS light illuminated	OK		