



COMMERCIAL VEHICLE AUCTIONS LTD
THE UK'S MOST ESTABLISHED COMMERCIAL VEHICLE AUCTIONEERS

Carr Hill Industrial Estate
Doncaster
DN4 8DE

01302 732600 | cva.noreply@cva-auctions.co.uk

VEHICLE INSPECTION REPORT

SG18NPZ

Ford Transit 350 2.0 TDCi 130ps

Non Runner

Inspection		Vehicle	
Serious Damage?	No	VAT	Plus VAT
		V5	Buyer To Apply

Details

Reg. date	12/04/2018	GVW	3500kg	MOT Due	07/10/2026
Year	2018	Colour	WHITE	Gearbox	MANUAL
Mileage	121,779 Miles Warranted	VIN	WF0DXXTTGDHD20083	Gears	6
Fuel Type	Diesel	Body Style	Curtainside LWB	Tail Lift	Column

NON- RUNNER, DOES NOT TURN OVER AD-BLUE

Tyres

NSF
NSR
OSF
OSR
Spare

Features

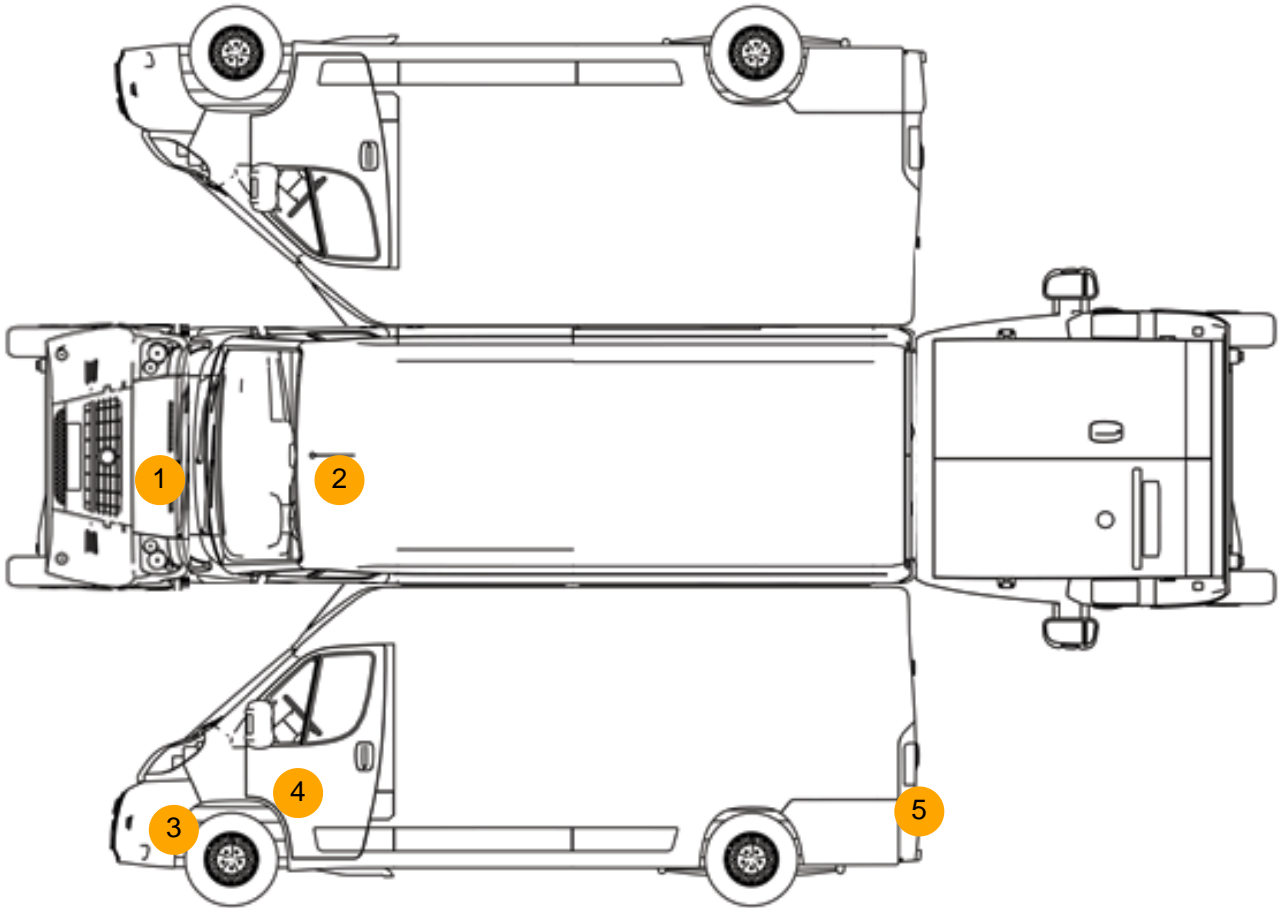
- Bluetooth connection
- Drivers airbag
- Auxiliary input socket
- Passenger airbag
- Digital radio
- Central locking
- Front electric windows
- Cloth seat trim

Photos





Condition Check



Damage Photos



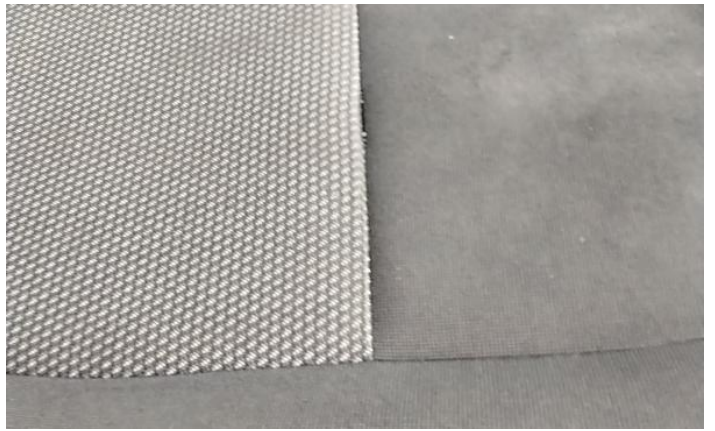
1: Bonnet
Chipped
Multiple Chips

2: Qtr Panel Moulding ns
Broken
Replace



3: Bumper Front
Scratched
25 to 100mm Thru Paint

4: Door nsf
Dented
With Paint Damage



5: Tailgate Trim Panel
Broken
Replace

6: Seat Base Cover nsf
Soiled
Heavy



7: Seat Base Cover nsf
Soiled
Heavy

Interior

Carpet Condition
Seat Condition

OK
Poor

Upholstery Condition
Odour

OK
No

Engine Runs

Fault