



**COMMERCIAL VEHICLE AUCTIONS LTD**  
THE UK'S MOST ESTABLISHED COMMERCIAL VEHICLE AUCTIONEERS

Carr Hill Industrial Estate  
 Doncaster  
 DN4 8DE

01302 732600 | [cva.noreply@cva-auctions.co.uk](mailto:cva.noreply@cva-auctions.co.uk)

# VEHICLE INSPECTION REPORT

**YP70UTL**

## Ford Transit Custom 280 2.0 EcoBlue 105ps

**Non Runner**

Inspection		Vehicle	
Serious Damage?	No	VAT	Plus VAT
		V5	To Follow

Details					
Reg. date	30/10/2020	Colour	WHITE	CAP Average	£4,975.00
Year	2020	VIN	WF0YXXTTGYLL45366	CAP Below	£3,975.00
Mileage	115,498 Miles Warranted	Body Style	Panel Van L1	Gearbox	MANUAL
Fuel Type	Diesel	MOT Due	29/10/2026	Gears	6
GVW	2800kg	CAP Clean	£5,675.00		

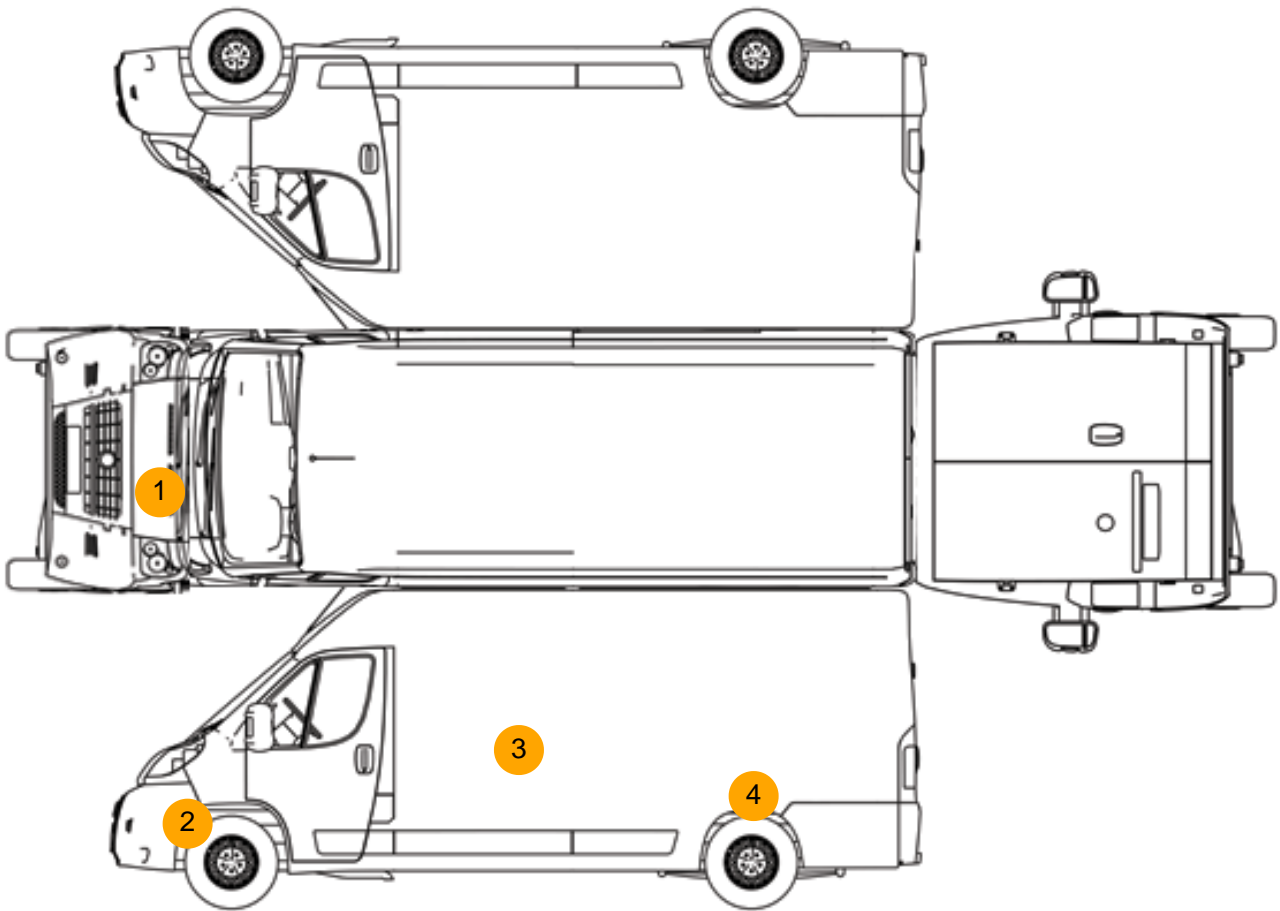
\*COLLECTED AS NON RUNNER, ADVISED NOT TO START ENGINE\* SIDE LOAD DOOR, AD-BLUE

Tyres	
NSF	
NSR	
OSF	
OSR	
Spare	

## Features

- Bluetooth connection
- Drivers airbag
- Auxiliary input socket
- Passenger airbag
- Digital radio
- Central locking
- Front electric windows
- Cloth seat trim

## Condition Check



## Damage Photos



1: Bonnet  
Chipped  
Multiple Chips

2: Bumper Front  
Scratched  
Over 100mm Thru Paint

