



**COMMERCIAL VEHICLE AUCTIONS LTD**  
THE UK'S MOST ESTABLISHED COMMERCIAL VEHICLE AUCTIONEERS

Carr Hill Industrial Estate  
Doncaster  
DN4 8DE

01302 732600 | cva.noreply@cva-auctions.co.uk

# VEHICLE INSPECTION REPORT

**BF23YPN**

## Iveco Eurocargo 120-210

### Inspection

Serious Damage? No

### Vehicle

VAT Plus VAT

V5 Present

### Details

Reg. date 30/08/2023

Colour WHITE

Cab Type DAY CAB

Year 2023

VIN ZCFAH1EF702729531

Gearbox MANUAL

Mileage 53,149 Km Warranted

Body Style Pole Erection Unit

Axle Combi 4x2

Fuel Type Diesel

Service history Yes

Rear Suspension Steel

GVW 12000kg

MOT Due 31/08/2026

PALFINGER PK9.501 (2 EXT) REMOTE CRANE (YEAR 2022), AUTOGUIDE AUGER, POLE JACK, HEATED DRYING LOCKER, 240V POWER

### Tyres

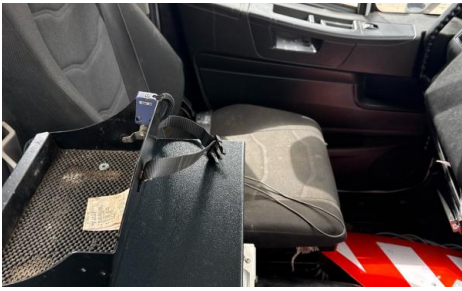
NSF	NSI1	NSI2	NSI3	NSI4
OSF	OSI1	OSI2	OSI3	OSI4
Spare	NSO1	NSO2	NSO3	NSO4
	OSO1	OSO2	OSO3	OSO4

## Features

- Bluetooth connection
- Air conditioning
- Cruise control
- Front electric windows
- Park assist camera
- Central locking
- Digital radio
- Cloth seat trim

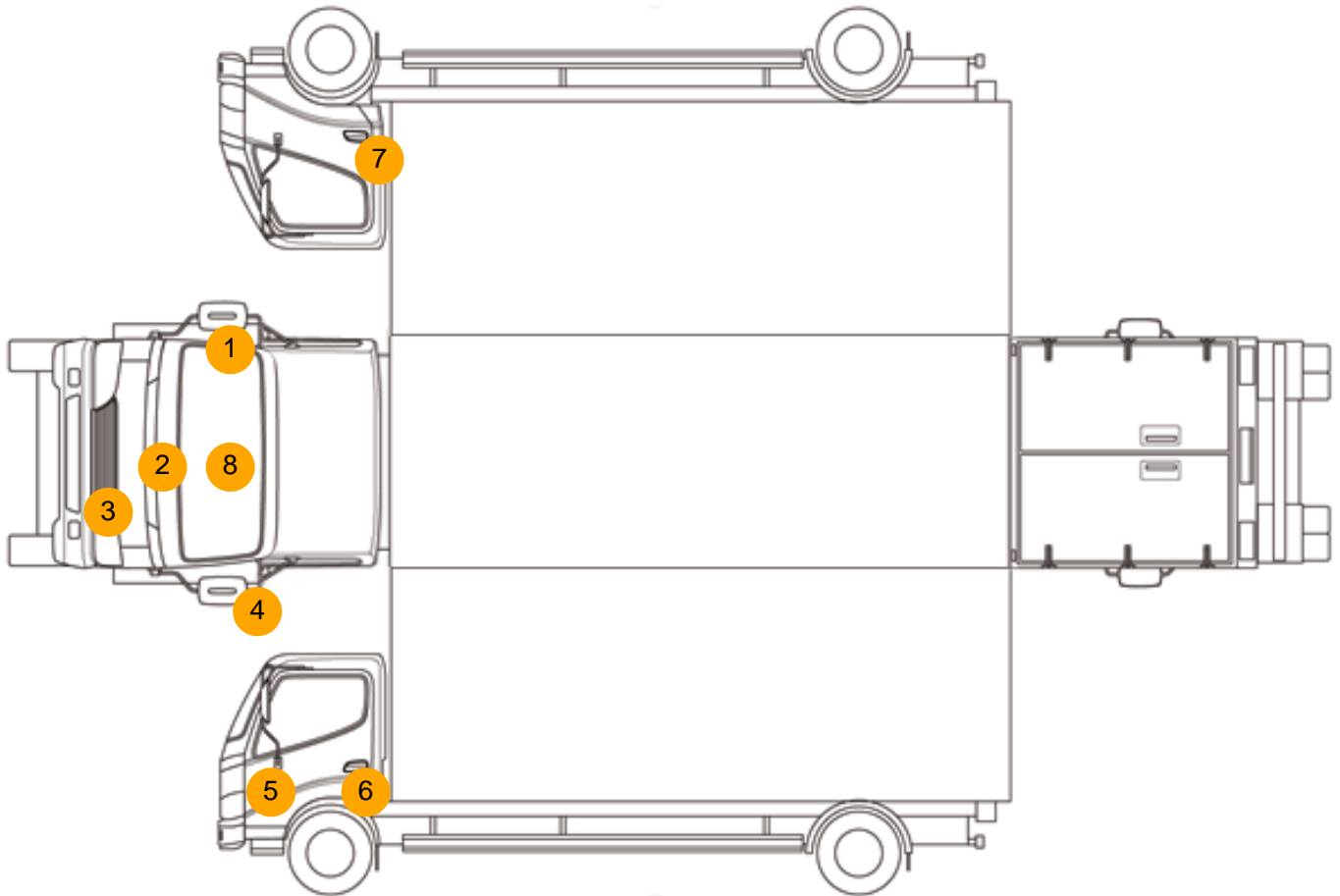
## Photos







## Condition Check



## Damage Photos



1: Door Mirror Assy of  
Scuffed (Unpainted)  
UpTo 100mm



2: Bonnet  
Chipped  
Multiple Chips



3: Bumper Front Moulding  
Missing  
Replace

4: Door Mirror Assy nsf  
Scuffed (Unpainted)  
Over 100mm



5: Panel Front  
Scratched  
Over 25mm Not Thru Paint

6: Door nsf  
Scratched  
Over 25mm Thru Paint



7: Door osf  
Chipped  
Multiple Chips

8: Screen Front  
Chipped  
Over 10mm



9: Seat Base Cover osf  
Soiled  
Heavy

10: Seat Base Cover nsf  
Soiled  
Heavy

**Interior**

**Carpet Condition** OK  
**Seat Condition** Poor

**Upholstery Condition** OK  
**Odour** -

Engine Runs	OK	No Excessive Smoking	OK
EML light illuminated	OK	DPF light illuminated	OK
ABS light illuminated	OK		