



COMMERCIAL VEHICLE AUCTIONS LTD
THE UK'S MOST ESTABLISHED COMMERCIAL VEHICLE AUCTIONEERS

Carr Hill Industrial Estate
Doncaster
DN4 8DE

01302 732600 | cva.noreply@cva-auctions.co.uk

VEHICLE INSPECTION REPORT

SP63HYL

Ford Transit Connect TDCi 90PS

Inspection

Serious Damage? No

Vehicle

VAT Plus VAT

V5 Present

Details

Reg. date 27/09/2013

Year 2013

Mileage 75,757 Miles
Warranted

Fuel Type Diesel

GVW 2340kg

Colour WHITE

VIN WF0UXXTTPUCS06155

Body Style Panel Van LWB

Service history Yes

Service documents Printout

MOT Due 15/10/2026

CAP Clean £1,400.00

CAP Average £1,100.00

CAP Below £725.00

Gearbox MANUAL

Gears 5

SIDE LOAD DOOR.

Tyres

NSF

NSR

OSF

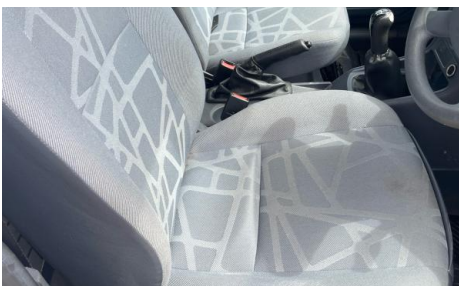
OSR

Spare

Features

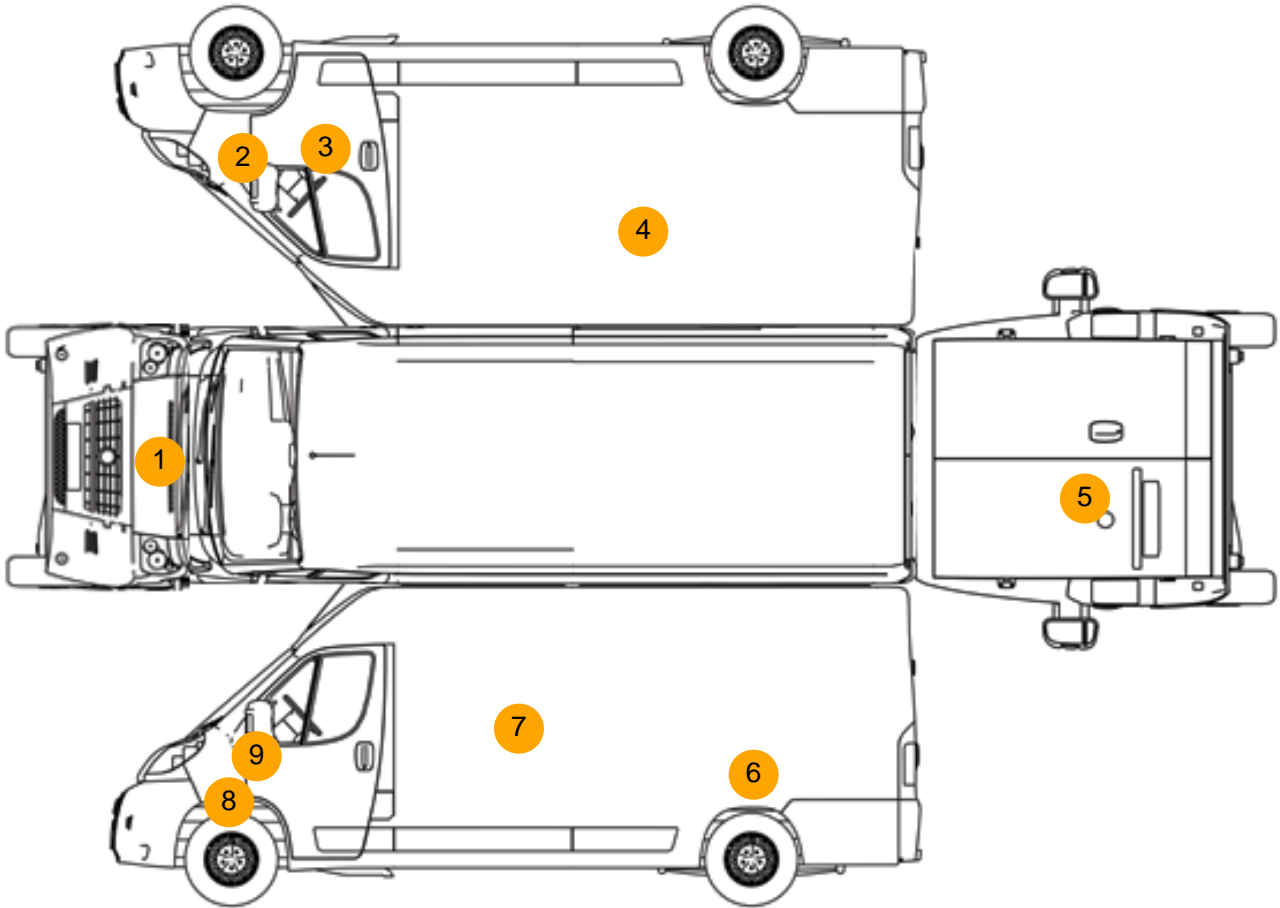
- Radio/CD
- Front electric windows
- Central locking

Photos





Condition Check



Damage Photos



1: Bonnet
Dented
Over 30mm



2: Flasher Side Repeater os
Broken
Replace



3: Door osf
Dented
With Paint Damage

4: Qtr Panel osr
Dented
With Paint Damage



5: Tailgate
Dented
Over 30mm

6: Qtr Panel nsr
Dented
With Paint Damage



7: Door nsr
Dented
With Paint Damage

8: Flasher Side Repeater ns
Broken
Replace



9: Wing nsf
 Dented
 With Paint Damage

Interior

Carpet Condition	Average	Upholstery Condition	Average
Seat Condition	Average	Odour	No
Engine Runs	OK	Gearbox 1st and Reverse Test	OK
Brakes	OK	Clutch Slip Test from Static	OK
Turbo Boosting	OK	Gearbox Static Gear Selection (engine running)	OK
Parking Brake	OK	No Excessive Smoking	OK
EML light illuminated	OK	Oil warning light illuminated	OK
Airbag light illuminated	OK	DPF light illuminated	OK
ABS light illuminated	OK	Service indicator light illuminated	OK
Windows	OK	Radio	OK
		Steering	OK