



**COMMERCIAL VEHICLE AUCTIONS LTD**  
THE UK'S MOST ESTABLISHED COMMERCIAL VEHICLE AUCTIONEERS

Carr Hill Industrial Estate  
Doncaster  
DN4 8DE

01302 732600 | [cva.noreply@cva-auctions.co.uk](mailto:cva.noreply@cva-auctions.co.uk)

# VEHICLE INSPECTION REPORT

**DE64CYG**

## Man TGS 18.400

Inspection		Vehicle	
Serious Damage?	No	VAT	Plus VAT
		V5	To Follow

Details		Colour		Cab Type	
Reg. date	10/11/2014	WHITE		L CAB	
Year	2014	VIN	WMA06SZZ3FW203999	Gearbox	AUTOMATIC
Mileage	1,190,029 Km Not Warranted	Body Style	Tractor Unit	Axle Combi	4x2
Fuel Type	Diesel	MOT Due	30/11/2026	Rear Suspension	Air

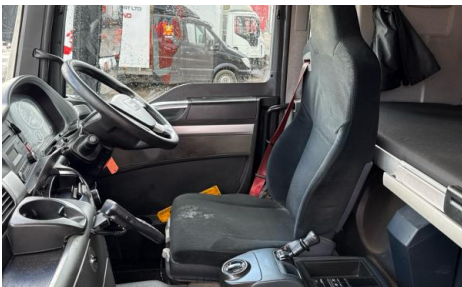
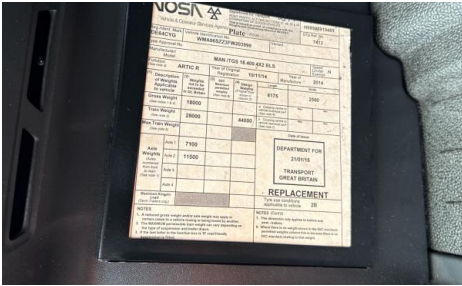
Tyres				
NSF	NSI1	NSI2	NSI3	NSI4
OSF	OSI1	OSI2	OSI3	OSI4
Spare	NSO1	NSO2	NSO3	NSO4
	OSO1	OSO2	OSO3	OSO4

## Features

- Cruise control
- Front electric windows
- Park assist camera
- Central locking
- Radio/CD
- Cloth seat trim
- Air conditioning

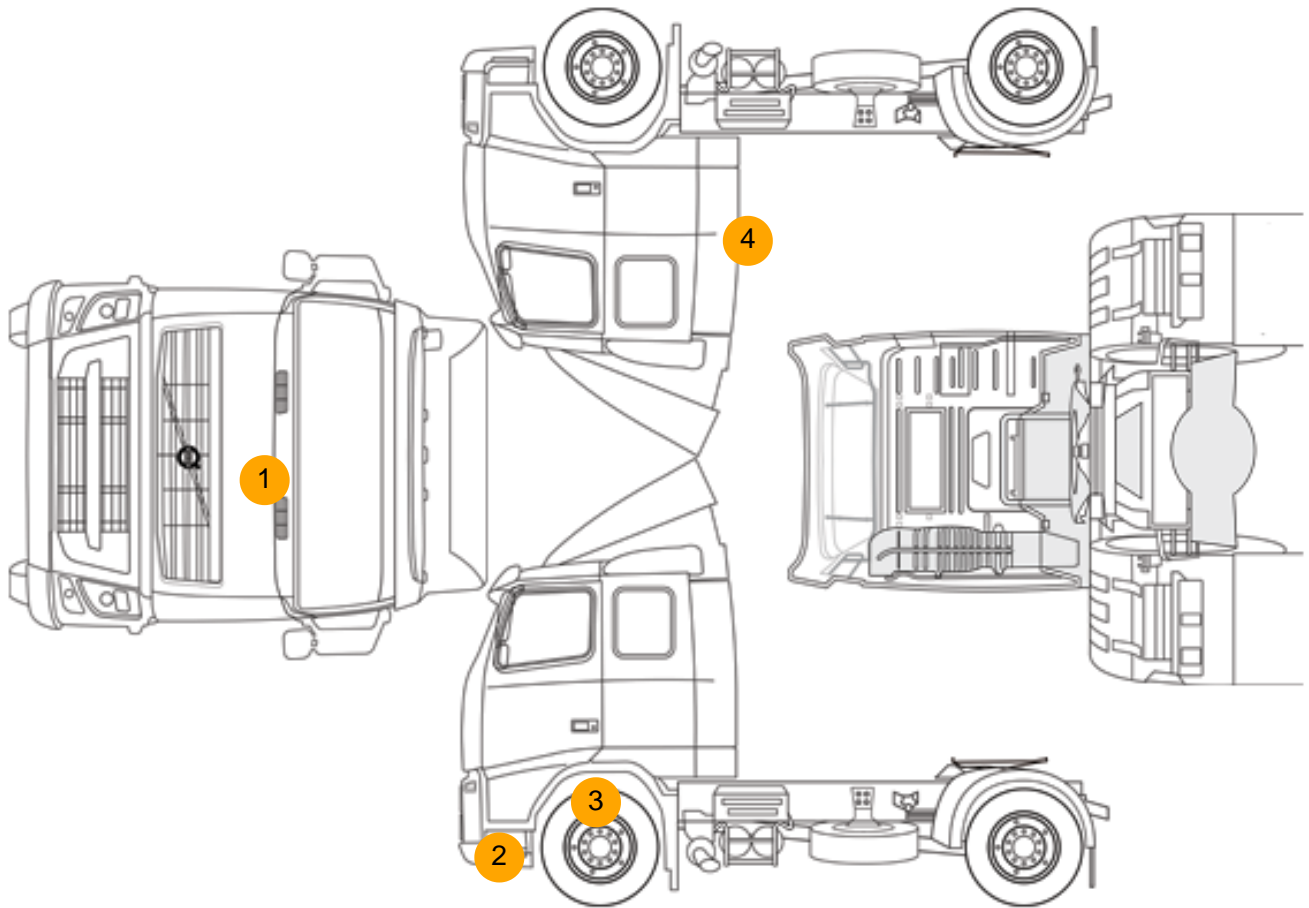
## Photos







## Condition Check



## Damage Photos



1: Bonnet  
Chipped  
Multiple Chips

2: Bumper Front  
Scratched  
Over 100mm Thru Paint



3: Wing nsf  
 Scratched  
 Over 25mm Thru Paint

4: Qtr Panel Trim os  
 Broken  
 Replace



5: Seat Base Cover osf  
 Holed  
 Over 3mm

**Interior**

**Carpet Condition**  
**Seat Condition**

OK  
 Poor

**Upholstery Condition**  
**Odour**

OK  
 -

Engine Runs	OK	No Excessive Smoking	OK
EML light illuminated	OK	DPF light illuminated	OK
ABS light illuminated	OK		