



COMMERCIAL VEHICLE AUCTIONS LTD
THE UK'S MOST ESTABLISHED COMMERCIAL VEHICLE AUCTIONEERS

Carr Hill Industrial Estate
Doncaster
DN4 8DE

01302 732600 | cva.noreply@cva-auctions.co.uk

VEHICLE INSPECTION REPORT

FA18FNX

Vauxhall Vivaro 2900 1.6CDTI 95PS

Non Runner

Inspection		Vehicle	
Serious Damage?	No	VAT	Plus VAT
		V5	Present

Details					
Reg. date	31/07/2018	Colour	WHITE	CAP Clean	£5,475.00
Year	2018	VIN	W0VF7F600JV650067	CAP Average	£4,650.00
Mileage	Not Showing	Body Style	Panel Van L1	CAP Below	£3,575.00
Fuel Type	Diesel	Service history	Yes	Gearbox	MANUAL
GVW	2960kg	MOT Due	27/06/2026	Gears	6

NON RUNNER - SEVERE OIL LEAK, DOES NOT START TWIN SIDE LOAD DOOR, E/MIRRORS, AD-BLUE

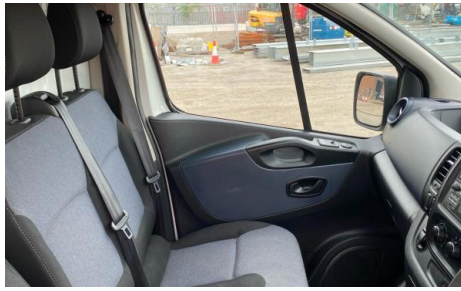
Tyres
NSF
NSR
OSF
OSR
Spare

Features

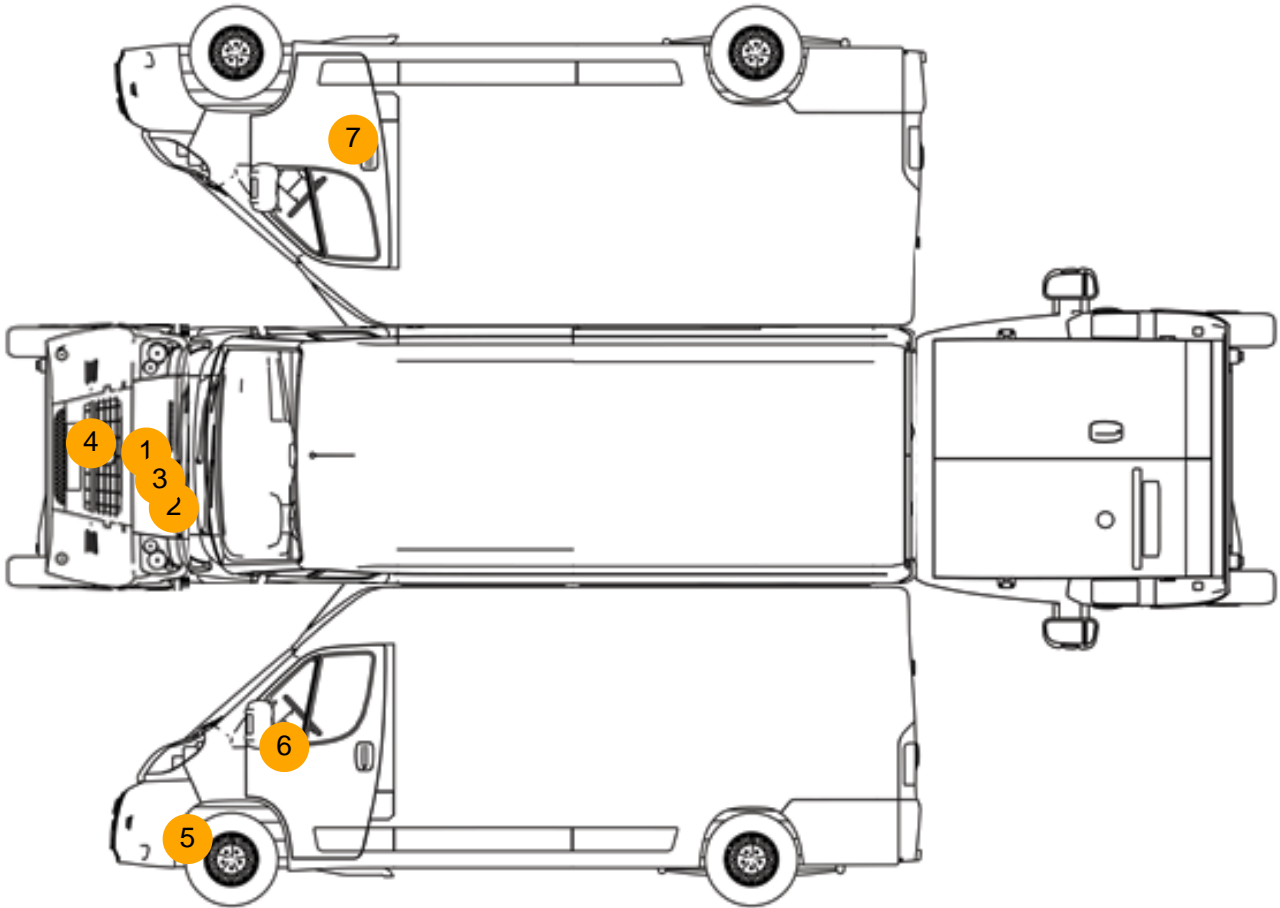
- Bluetooth connection
- Front electric windows
- Cloth seat trim
- Rear parking sensor
- Drivers airbag
- Auxiliary input socket
- Passenger airbag
- Digital radio
- Central locking

Photos





Condition Check



Damage Photos



1: Bonnet
Dented
Over 30mm

2: Bonnet
Dented
Over 30mm



3: Bonnet
Chipped
Multiple Chips



4: Bumper Front Moulding
Missing
Replace



5: Bumper Front
Scratched
Over 100mm Thru Paint



6: Door Mirror Assy nsf
Broken
Replace

7: Door osf
Dented
With Paint Damage

Interior

Carpet Condition -
Seat Condition -

Upholstery Condition -
Odour -

Engine Runs **Fault**