



COMMERCIAL VEHICLE AUCTIONS LTD
THE UK'S MOST ESTABLISHED COMMERCIAL VEHICLE AUCTIONEERS

Carr Hill Industrial Estate
Doncaster
DN4 8DE

01302 732600 | cva.noreply@cva-auctions.co.uk

VEHICLE INSPECTION REPORT

YM69YBN

Ford Transit Connect 220 1.5 EcoBlue 100ps Van

Non Runner
Inspection

Inspection		Vehicle	
Serious Damage?	No	VAT	Plus VAT
		V5	To Follow

Details

Reg. date	29/01/2020	Colour	WHITE	CAP Average	£4,025.00
Year	2020	VIN	WF0RXXWPGRKP48383	CAP Below	£3,225.00
Mileage	96,584 Miles Warranted	Body Style	Panel Van L1	Gearbox	MANUAL
Fuel Type	Diesel	MOT Due	28/01/2027	Gears	6
GVW	2375kg	CAP Clean	£4,625.00	Axle Combi	4x2

*NON RUNNER - ENGINE MALFUNCTION * AD BLUE, SIDE LOAD DOOR

Tyres

NSF	
NSR	
OSF	
OSR	
Spare	

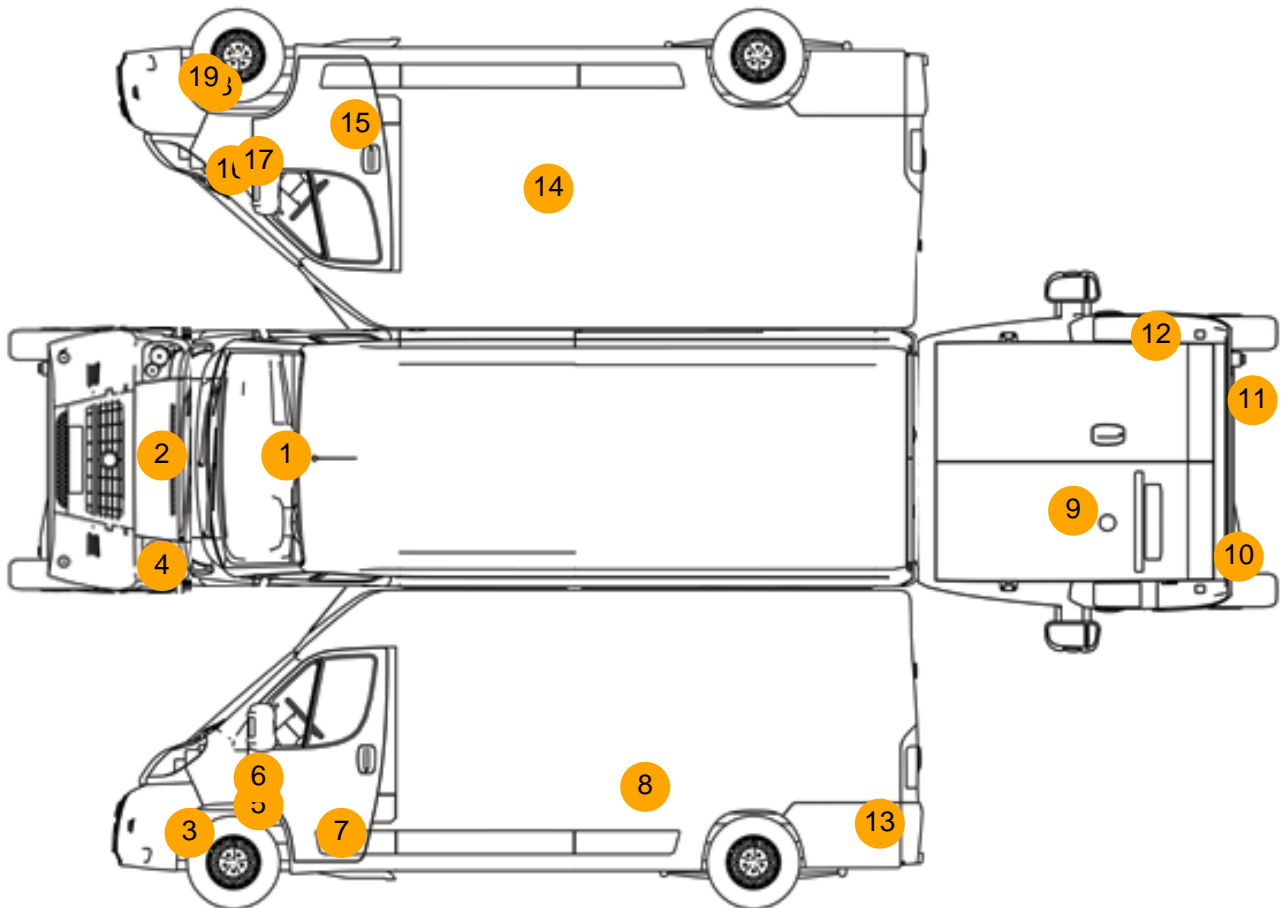
Features

- Bluetooth connection
- Radio/CD
- Front electric windows
- Drivers airbag
- Passenger airbag
- Central locking
- Cloth seat trim

Photos



Condition Check



Damage Photos



1: Screen Front
Chipped
Over 10mm



2: Bonnet
Chipped
Multiple Chips



3: Bumper Front
Scratched
Over 100mm Thru Paint

4: Wing nsf
Chipped
Multiple Chips



5: Wing nsf
Scratched
Over 25mm Thru Paint

6: Wing nsf
Poor Previous Repair
Poor Colour



7: Door nsf
Scratched
Over 25mm Thru Paint

8: Qtr Panel nsr
Scratched
Over 25mm Thru Paint



9: Door nsr
Scratched
Over 25mm Thru Paint

10: Bumper Rear
Scratched
Over 100mm Thru Paint



11: Bumper Rear
Scratched
Over 100mm Thru Paint

12: Lamp osr
Broken
Replace



13: Bumper Rear
Insecure
Action Required

14: Qtr Panel osr
Chipped
Multiple Chips



15: Door osf
Dented
With Paint Damage

16: A Post os
Chipped
1 To 5



17: Wing osf
Chipped
Multiple Chips

18: Bumper Front
Insecure
Action Required



19: Bumper Front
Scratched
Over 100mm Thru Paint

Interior

Carpet Condition
Seat Condition

Average
OK

Upholstery Condition
Odour

Average
-

Engine Runs

Fault