



COMMERCIAL VEHICLE AUCTIONS LTD
THE UK'S MOST ESTABLISHED COMMERCIAL VEHICLE AUCTIONEERS

Carr Hill Industrial Estate
Doncaster
DN4 8DE

01302 732600 | cva.noreply@cva-auctions.co.uk

VEHICLE INSPECTION REPORT

LP68KXZ

Fuso Canter 7C15

Inspection		Vehicle	
Serious Damage?	No	VAT	Plus VAT
		V5	To Follow

Details					
Reg. date	28/11/2018	Colour	WHITE	Gearbox	AUTOMATIC
Year	2018	VIN	TYAFEC71KRDZ10420	Axle Combi	4x2
Mileage	114,296 Km Warranted	Body Style	Dropside	Rear Suspension	Steel
Fuel Type	Diesel	MOT Due	31/12/2026		
GVW	7490kg	Cab Type	DAY CAB		

COLLECTED AS NON RUNNER, TURBO REQUIRES ATTENTION WINCH, WEIGH SYSTEM, MAXI-LIFT PH180 HYDRAULIC LIFT (STRAPPED UP INOP)

Tyres				
NSF	NSI1	NSI2	NSI3	NSI4
OSF	OSI1	OSI2	OSI3	OSI4
Spare	NSO1	NSO2	NSO3	NSO4
	OSO1	OSO2	OSO3	OSO4

Features

- Bluetooth connection
- Front electric windows
- Cloth seat trim
- Cruise control
- Drivers airbag
- Park assist camera
- Passenger airbag
- Digital radio
- Central locking

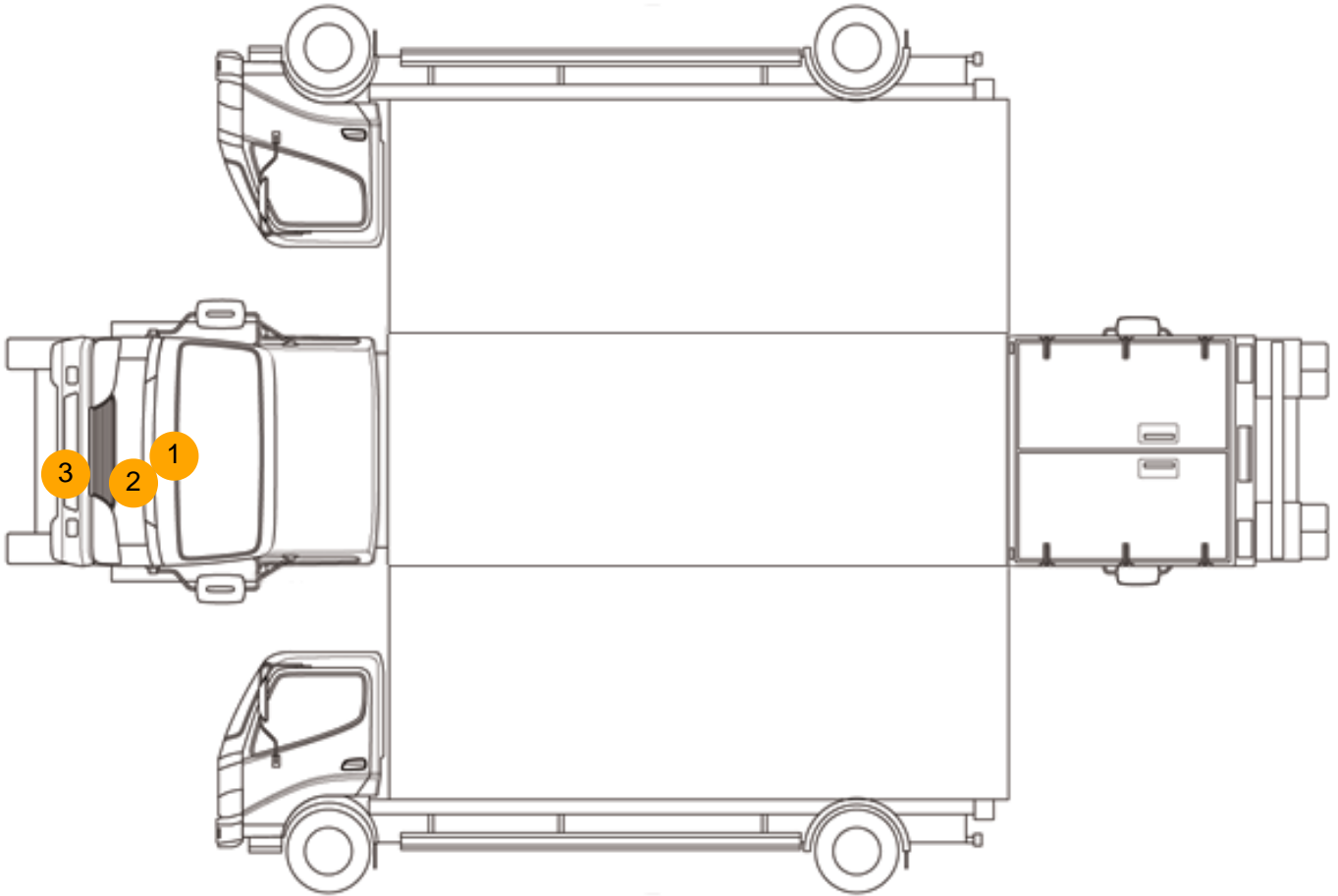
Photos







Condition Check



Damage Photos



1: Bonnet
Chipped
Multiple Chips

2: Bumper Front Grill
Broken
Replace



3: Bumper Front
Dented
With Paint Damage

Interior

Carpet Condition	OK	Upholstery Condition	OK
Seat Condition	OK	Odour	-
Engine Runs	OK	No Excessive Smoking	OK
EML light illuminated	OK	DPF light illuminated	OK
ABS light illuminated	OK		