



COMMERCIAL VEHICLE AUCTIONS LTD
THE UK'S MOST ESTABLISHED COMMERCIAL VEHICLE AUCTIONEERS

Carr Hill Industrial Estate
Doncaster
DN4 8DE

01302 732600 | cva.noreply@cva-auctions.co.uk

VEHICLE INSPECTION REPORT

PF23FX1

Daf XF 480

Inspection

Serious Damage? No

Vehicle

VAT Plus VAT
V5 To Follow

Details

Reg. date	07/06/2023	Colour	BLACK	Gearbox	AUTOMATIC
Year	2023	VIN	XLRTGF5300G456225	Axle Combi	6x2
Mileage	289,581 Km Not Warranted	Body Style	Tractor Unit	Steering Combi	Mid-Lift Steer
Fuel Type	Diesel	MOT Due	30/06/2026	Rear Suspension	Air
GVW	44000kg	Cab Type	HIGH ROOF SLEEPER CAB		

SLIDING 5TH WHEEL, MIRROR CAMS

Tyres

NSF	NSI1	NSI2	NSI3	NSI4
OSF	OSI1	OSI2	OSI3	OSI4
Spare	NSO1	NSO2	NSO3	NSO4
	OSO1	OSO2	OSO3	OSO4

Features

- Bluetooth connection
- Air conditioning
- Cruise control
- Front electric windows
- Park assist camera
- Central locking
- Digital radio
- Cloth seat trim

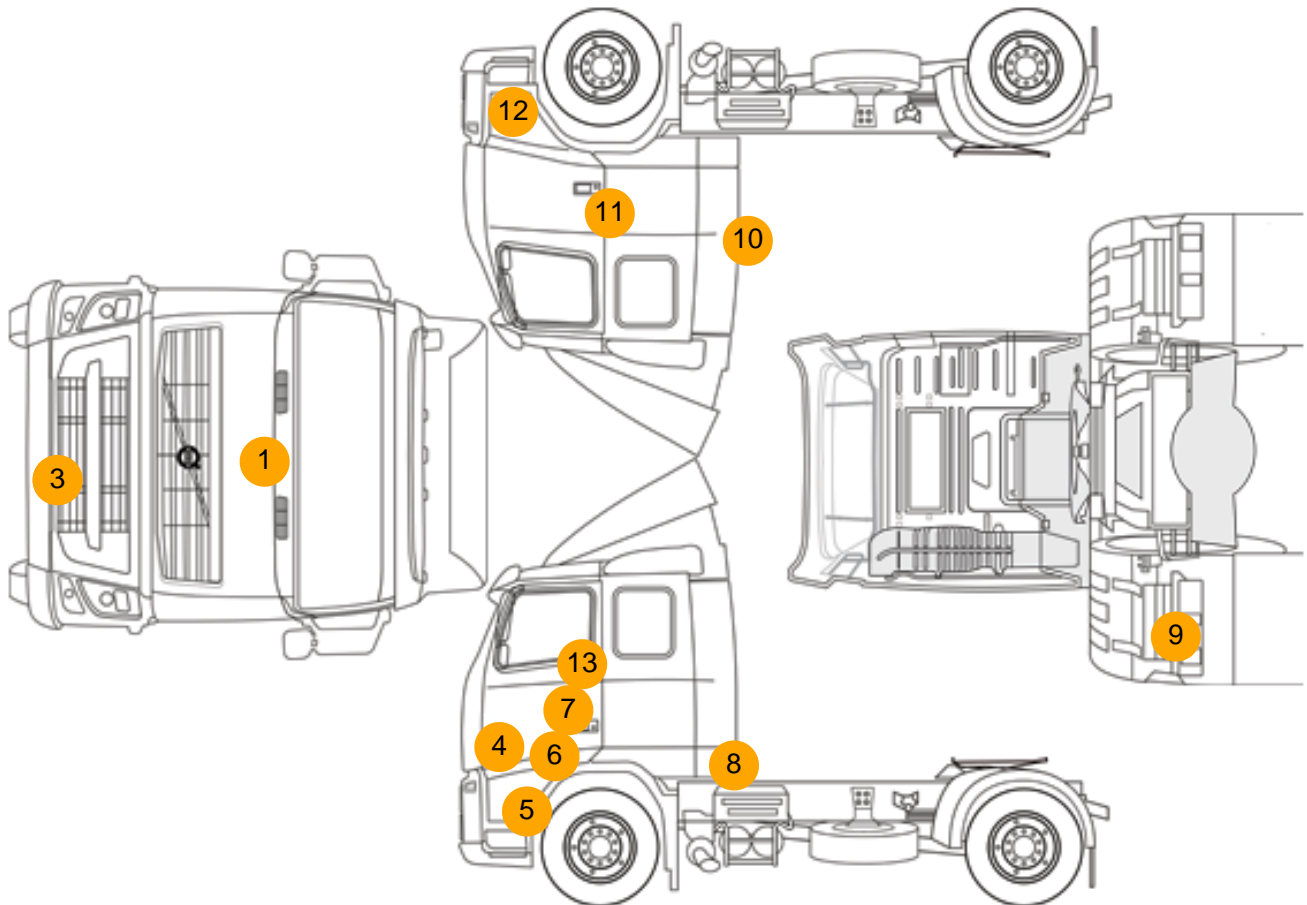
Photos







Condition Check



Damage Photos



1: Bonnet
Chipped
Multiple Chips

2: Bumper Front
Chipped
Multiple Chips



3: Number Plate Front
Broken
Replace

4: Panel Front
Scratched
Over 25mm Not Thru Paint



5: Door nsf
Dented
With Paint Damage

6: Door nsf
Dented
With Paint Damage



7: Door nsf
Dented
With Paint Damage

8: Qtr Panel Trim ns
Scuffed
Over 25mm



9: Qtr Panel Moulding ns
Broken
Replace

10: Qtr Panel Trim os
Broken
Replace



11: Door Moulding osf
Missing
Replace

12: Bumper Front
Cracked
Over 25mm



13: Door Window nsf
Scratched
Over 30mm

Interior

Carpet Condition	OK	Upholstery Condition	OK
Seat Condition	OK	Odour	-
Engine Runs	OK	No Excessive Smoking	OK
EML light illuminated	OK	DPF light illuminated	OK
ABS light illuminated	OK		