



COMMERCIAL VEHICLE AUCTIONS LTD
THE UK'S MOST ESTABLISHED COMMERCIAL VEHICLE AUCTIONEERS

Carr Hill Industrial Estate
Doncaster
DN4 8DE

01302 732600 | cva.noreply@cva-auctions.co.uk

VEHICLE INSPECTION REPORT

PN20DPX

Daf LF 180

Inspection		Vehicle	
Serious Damage?	No	VAT	Plus VAT
		V5	Buyer To Apply

Details		Colour	Gearbox
Reg. date	01/08/2020	BLACK	AUTOMAITC
Year	2020	VIN	XLRAEL1500L494820
Mileage	564,105 Km Not Warranted	Body Style	Curtainside
Fuel Type	Diesel	MOT Due	30/11/2026
GVW	7500kg	Cab Type	DAY CAB
		Axle Combi	4x2
		Rear Suspension	Steel
		Rear Doors	Barn
		Tail Lift	Tuckaway

OIL LEAK, SMOKING, WARNING LIGHT ON DASH

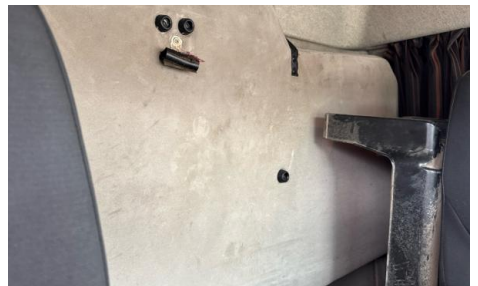
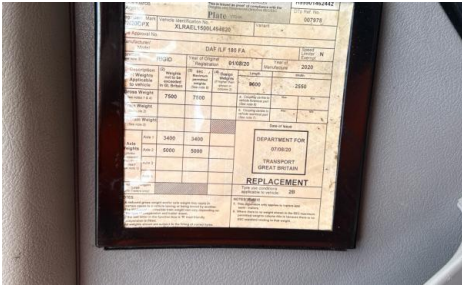
Tyres				
NSF	NSI1	NSI2	NSI3	NSI4
OSF	OSI1	OSI2	OSI3	OSI4
Spare	NSO1	NSO2	NSO3	NSO4
	OSO1	OSO2	OSO3	OSO4

Features

- Bluetooth connection
- Central locking
- Cruise control
- Cloth seat trim
- Digital radio
- Front electric windows

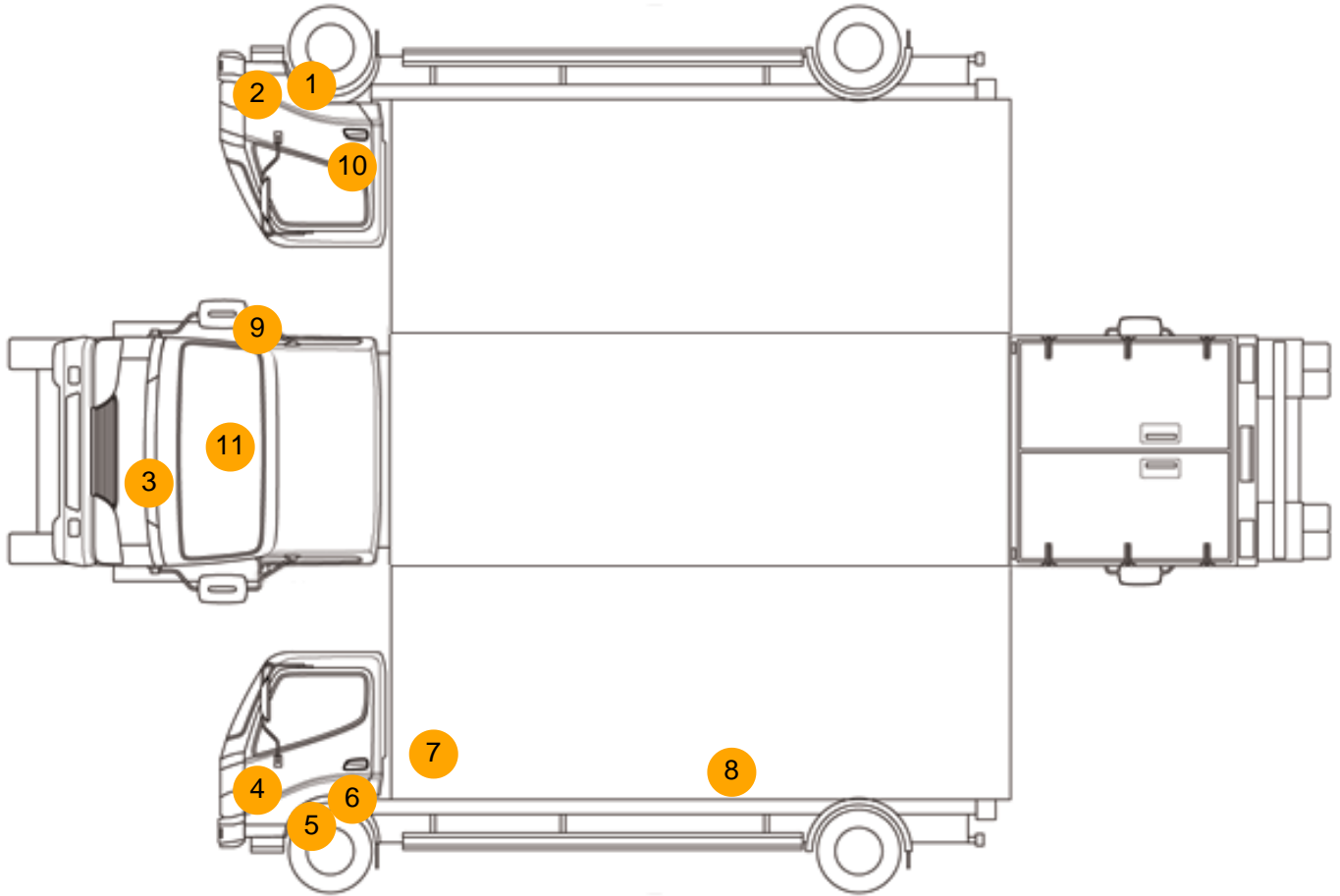
Photos







Condition Check



Damage Photos



1: Wing of
Scratched
Over 25mm Thru Paint

2: Bumper Front
Dented
With Paint Damage



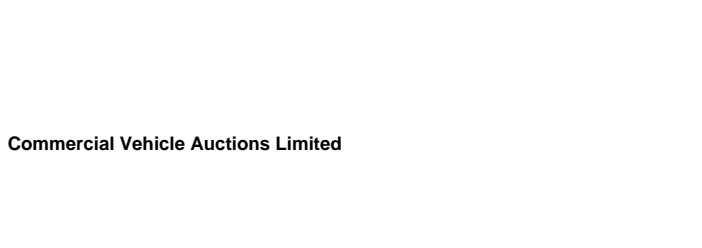
3: Bonnet
Chipped
Multiple Chips



5: Door nsf
Scratched
Over 25mm Thru Paint



7: Qtr Panel nsr
Scratched
Over 25mm Thru Paint



4: Panel Front
Scratched
Over 25mm Thru Paint



6: Door nsf
Scratched
Over 25mm Thru Paint



8: Qtr Panel nsr
Hole
Over 10mm





9: Door Mirror Assy osf
Broken
Replace



10: Door osf
Chipped
Multiple Chips



11: Screen Front
Cracked
Replace



12: Dash Warning Lights
Displayed
No Action



13: Seat Base Cover osf
Torn
Over 3mm

Interior

Carpet Condition
Seat Condition

OK
Poor

Upholstery Condition
Odour

OK
-

Engine Runs	OK	No Excessive Smoking	Fault
EML light illuminated	Fault	DPF light illuminated	OK
ABS light illuminated	Fault		