



COMMERCIAL VEHICLE AUCTIONS LTD
THE UK'S MOST ESTABLISHED COMMERCIAL VEHICLE AUCTIONEERS

Carr Hill Industrial Estate
Doncaster
DN4 8DE

01302 732600 | cva.noreply@cva-auctions.co.uk

VEHICLE INSPECTION REPORT

PN20DVX

Daf LF 170

Inspection

Serious Damage? No

Vehicle

VAT Plus VAT

V5 Buyer To Apply

Details

Reg. date 14/03/2020

Year 2020

Mileage 402,857 Km Not Warranted

Fuel Type Diesel

GVW 7500kg

Colour WHITE

VIN XLRAEL1400L493192

Body Style Curtainside

MOT Due 31/10/2026

Cab Type DAY CAB

Gearbox MANUAL

Axle Combi 4x2

Rear Suspension Steel

WARNING LIGHTS ON DASH, IN LIMP MODE

Tyres

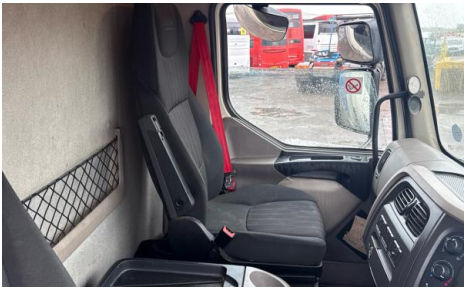
NSF	NSI1	NSI2	NSI3	NSI4
OSF	OSI1	OSI2	OSI3	OSI4
Spare	NSO1	NSO2	NSO3	NSO4
	OSO1	OSO2	OSO3	OSO4

Features

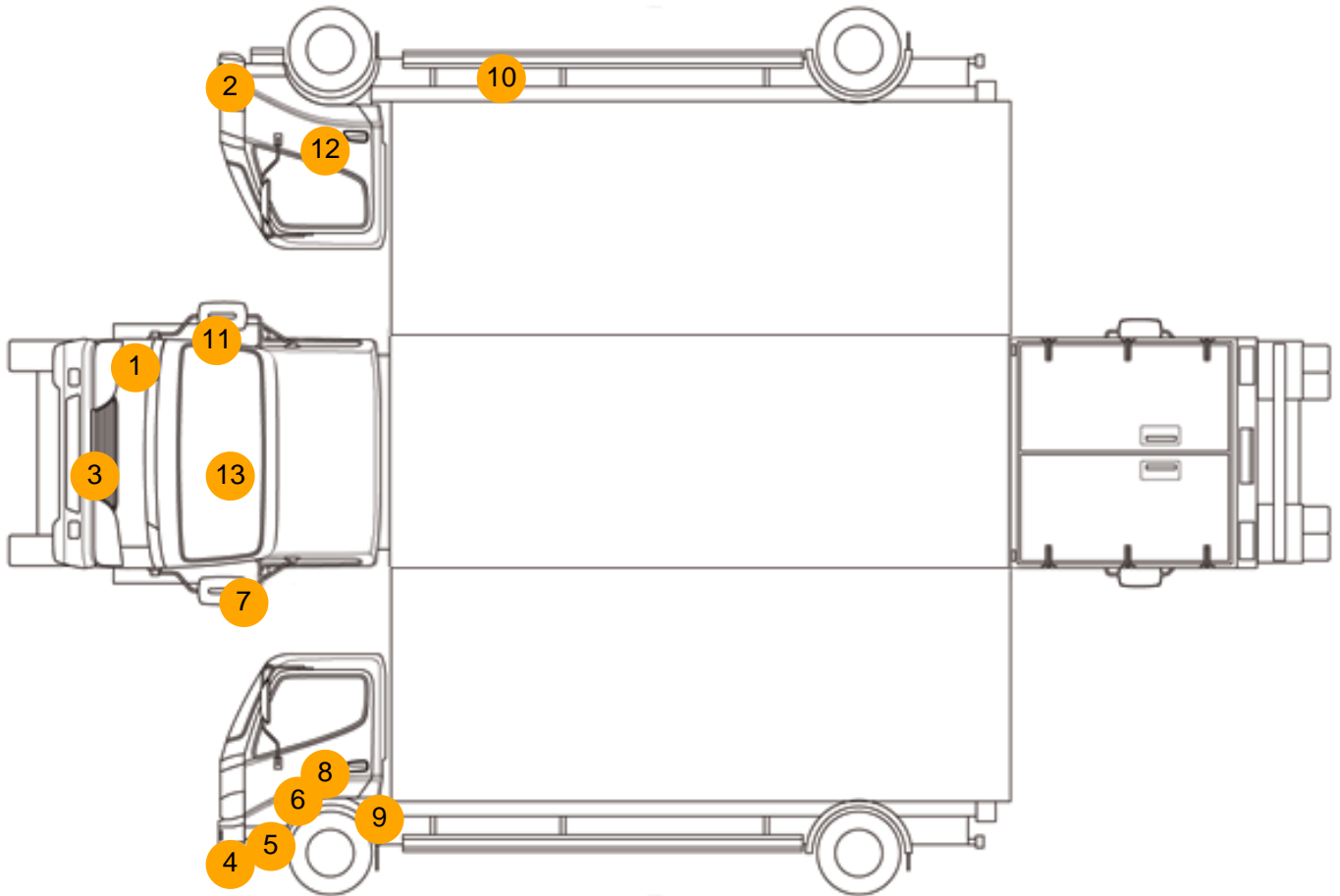
- Bluetooth connection
- Front electric windows
- Cruise control
- Central locking
- Digital radio
- Cloth seat trim
- Air conditioning

Photos





Condition Check



Damage Photos



1: Panel Front
Scratched
Over 25mm Thru Paint



2: Bumper Front
Dented
With Paint Damage



3: Number Plate Front
Missing
Replace

4: Bumper Front
Scratched
Over 100mm Thru Paint



5: Bumper Front Moulding
Scuffed (Unpainted)
Over 100mm

6: Door nsf
Dented
With Paint Damage



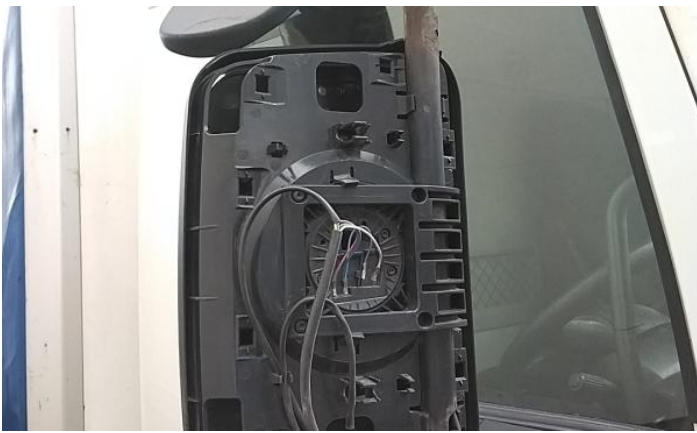
7: Door Mirror Assy nsf
Broken
Replace

8: Door nsf
Scratched
Over 25mm Thru Paint



9: Wing nsf
Scratched
Over 25mm Thru Paint

10: Qtr Panel Trim os
Scuffed
Over 25mm



11: Door Mirror Assy osf
Broken
Replace

12: Door osf
Scratched
Over 25mm Thru Paint



13: Screen Front
Cracked
Replace

14: Door Pad osf
Soiled
Heavy



15: Seat Base Cover osf
 Holed
 Over 3mm

16: Seat Base Cover nsf
 Soiled
 Heavy



17: Dash Warning Lights
 Displayed
 No Action

Interior

Carpet Condition
Seat Condition

OK
 Poor

Upholstery Condition
Odour

Poor
 -

Engine Runs	Fault	No Excessive Smoking	OK
EML light illuminated	Fault	DPF light illuminated	OK
ABS light illuminated	OK		