



**COMMERCIAL VEHICLE AUCTIONS LTD**  
THE UK'S MOST ESTABLISHED COMMERCIAL VEHICLE AUCTIONEERS

Carr Hill Industrial Estate  
Doncaster  
DN4 8DE

01302 732600 | cva.noreply@cva-auctions.co.uk

# VEHICLE INSPECTION REPORT

**PE63NLD**

## Daf LF 45.140

Inspection		Vehicle	
Serious Damage?	No	VAT	Plus VAT
		V5	Present

Details			
Reg. date	20/11/2013	Colour	RED
Year	2013	VIN	XLRAE45FF0L432873
Mileage	987,934 Km Warranted	Body Style	Box Van
Fuel Type	Diesel	Cab Type	DAY CAB
GVW	7500kg	Gearbox	MANUAL
		Axle Combi	4x2
		Rear Suspension	Steel
		Tail Lift	Cantilever

\*COLLECTED AS NON RUNNER, TAIL LIFT PLATFORM, SEAT, REAR AXLE, GEAR BOX, CLUTCH REQUIRES ATTENTION\*

Tyres				
NSF	NSI1	NSI2	NSI3	NSI4
OSF	OSI1	OSI2	OSI3	OSI4
Spare	NSO1	NSO2	NSO3	NSO4
	OSO1	OSO2	OSO3	OSO4

## Features

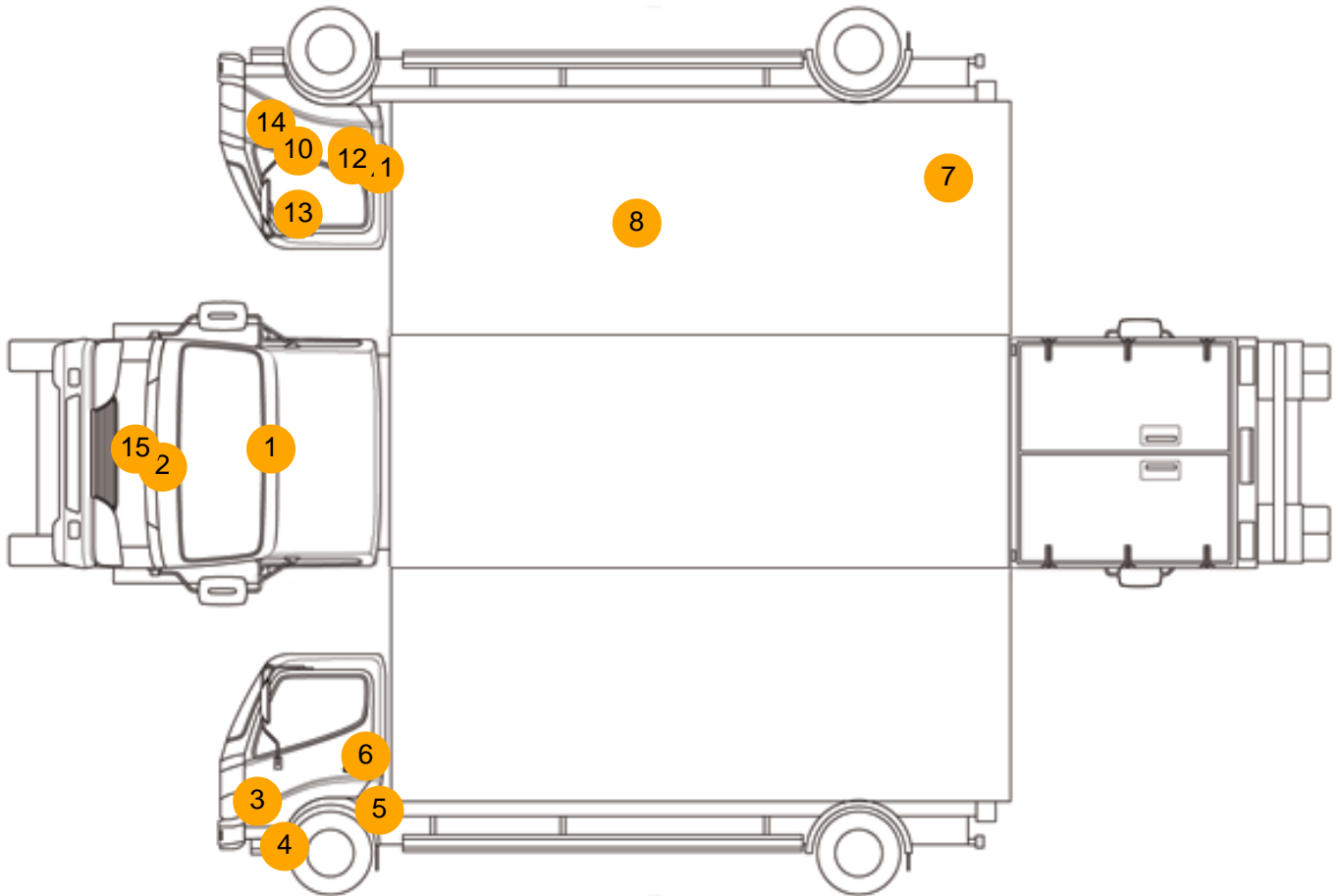
- Radio/CD
- Front electric windows
- Central locking
- Cloth seat trim

## Photos





## Condition Check



## Damage Photos



1: Screen Front  
Chipped  
Over 10mm



2: Bonnet  
Chipped  
Multiple Chips



3: Moulding nsf Wing  
Broken  
Replace

4: Wing nsf  
Scratched  
Over 25mm Thru Paint



5: Door Moulding nsf  
Scratched (Painted)  
Over 25mm Thru Paint

6: Door nsf  
Chipped  
Multiple Chips



7: Qtr Panel osr  
Cracked  
Replace

8: Qtr Panel osr  
Scratched  
Over 25mm Thru Paint



9: Door osf  
 Scratched  
 Over 25mm Thru Paint

10: Door osf  
 Dented  
 With Paint Damage



11: Door osf  
 Scratched  
 Over 25mm Thru Paint

12: Door osf  
 Dented  
 Over 2 UpTo 10mm



13: Door Mirror Assy osf  
 Broken  
 Replace

14: Moulding osf Wing  
 Scratched (Painted)  
 Over 25mm Thru Paint



15: Bumper Front Grill  
Broken  
Replace

16: Carpets Front  
Torn  
Over 10mm



17: Centre Console Front  
Broken  
Replace

18: Seat Base Cover nsf  
Holed  
Over 3mm



19: Wing nsf  
Rusted  
Over 5mm

20: Centre Console Front  
Broken  
Replace

## Interior

<b>Carpet Condition</b>	Average	<b>Upholstery Condition</b>	Average
<b>Seat Condition</b>	Average	<b>Odour</b>	-
Engine Runs	OK	Gearbox 1st and Reverse Test	OK
Brakes	OK	Gearbox Static Gear Selection (engine running)	OK
Parking Brake	OK	No Excessive Smoking	OK
EML light illuminated	OK	DPF light illuminated	OK
ABS light illuminated	OK		