



**COMMERCIAL VEHICLE AUCTIONS LTD**  
THE UK'S MOST ESTABLISHED COMMERCIAL VEHICLE AUCTIONEERS

Carr Hill Industrial Estate  
Doncaster  
DN4 8DE

01302 732600 | cva.noreply@cva-auctions.co.uk

# VEHICLE INSPECTION REPORT

**YP70RYO**

## Ford Transit Custom 280 2.0 EcoBlue 130ps

**Non Runner**

Inspection		Vehicle	
Serious Damage?	No	VAT	Plus VAT
		V5	Present

Details					
Reg. date	30/09/2020	Colour	ORANGE	CAP Average	£10,200.00
Year	2020	VIN	WF0YXXTTGYKU59979	CAP Below	£8,150.00
Mileage	52,196 Miles Warranted	Body Style	Panel Van L1	Gearbox	MANUAL
Fuel Type	Diesel	MOT Due	16/01/2027	Gears	6
GVW	2800kg	CAP Clean	£11,600.00		

\*NON RUNNER-ENGINE FAILURE\* SIDE LOAD DOOR,E/MIRRORS, AD-BLUE

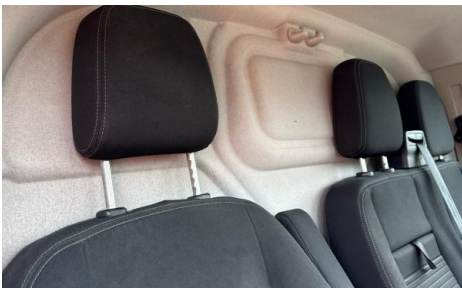
Tyres
NSF
NSR
OSF
OSR
Spare

## Features

- Bluetooth connection
- Rear parking sensor
- Front electric windows
- Central locking
- Cruise control
- Auxiliary input socket
- Metallic Paint
- Cloth seat trim
- Front parking sensor
- Digital radio
- Drivers airbag
- Heated front seat
- Air conditioning
- Passenger airbag

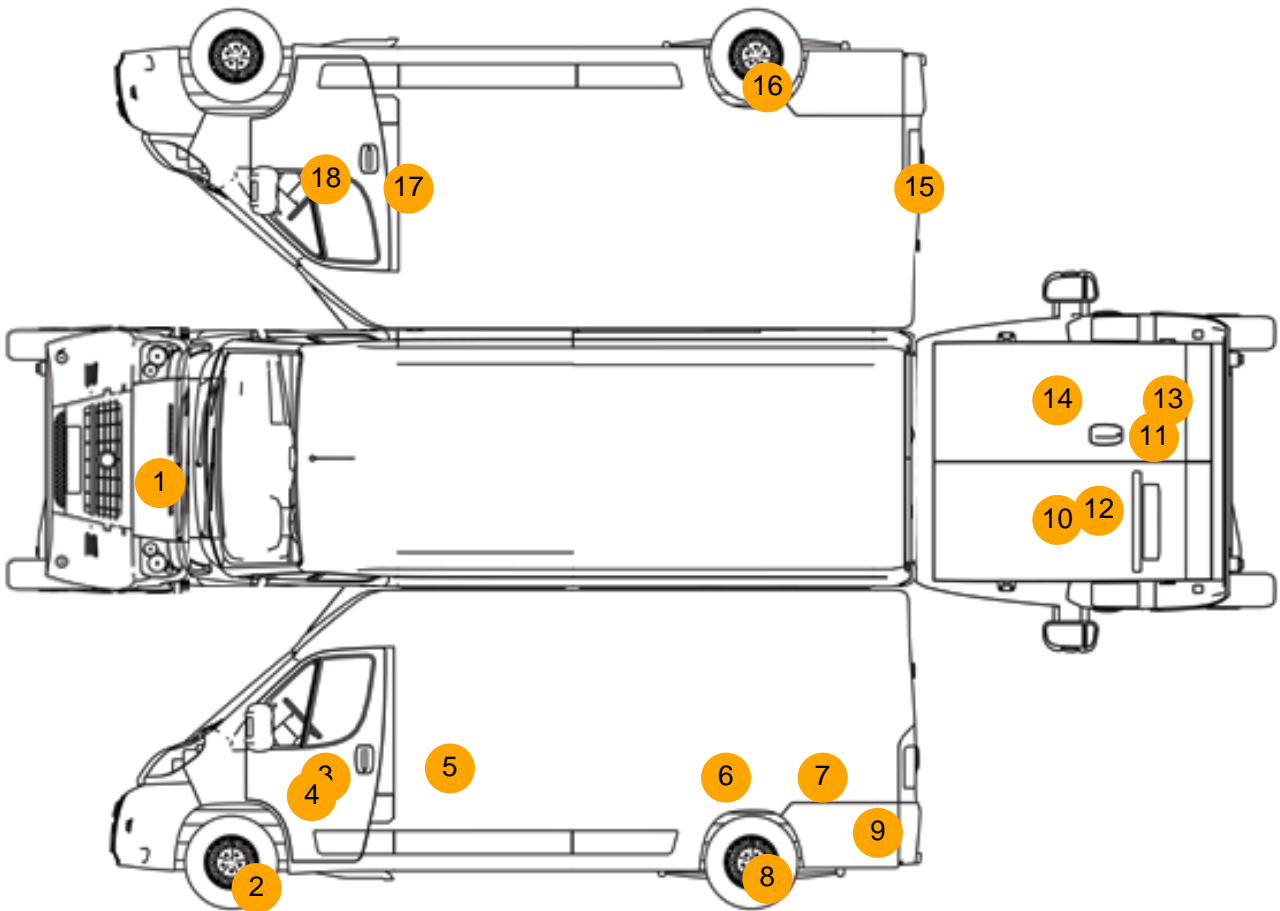
## Photos







## Condition Check



## Damage Photos



1: Bonnet  
Chipped  
Multiple Chips

2: Wheel nsf  
Scratched  
Over 50mm



3: Door nsf  
Scratched  
Over 25mm Thru Paint

4: Door nsf  
Scratched  
Over 25mm Thru Paint



5: Qtr Panel nsr  
Scratched  
Over 25mm Thru Paint

6: Qtr Panel nsr  
Scratched  
Over 25mm Thru Paint



7: Qtr Panel nsr  
Scratched  
Over 25mm Thru Paint

8: Wheel nsr  
Scratched  
Up To 50mm



9: Qtr Panel Moulding ns  
Scratched (Painted)  
UpTo 25mm Thru Paint

10: Door nsr  
Chipped  
Multiple Chips



11: Door osr  
Scratched  
Over 25mm Thru Paint

12: Door nsr  
Scratched  
Over 25mm Thru Paint



13: Door osr  
Scratched  
Over 25mm Thru Paint

14: Door osr  
Chipped  
Multiple Chips



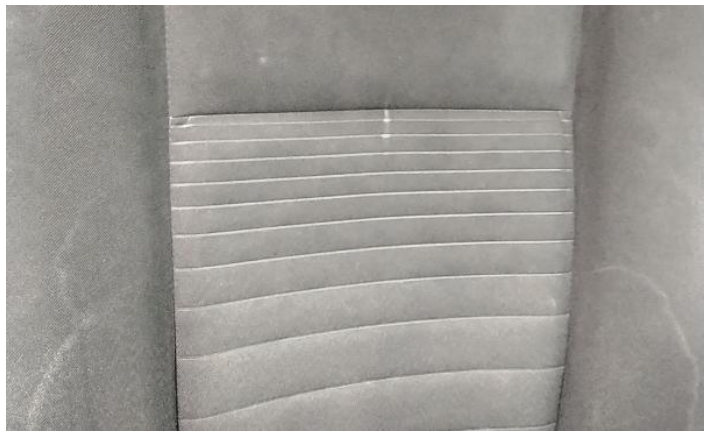
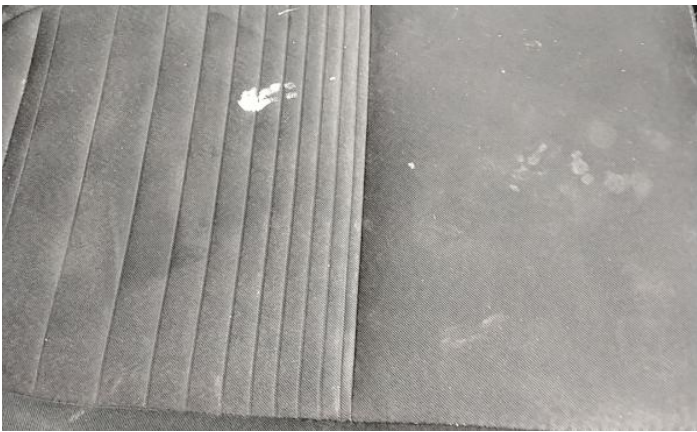
15: Qtr Panel osr  
Scratched  
Over 25mm Thru Paint

16: Wheel osr  
Scratched  
Up To 50mm



17: Door osf  
Chipped  
Edge Chip

18: Door osf  
Dented  
With Paint Damage



19: Seat Base Cover osf  
Soiled  
Heavy

20: Seat Back Cover osf  
Soiled  
Heavy



21: Seat Base Cover nsf  
Soiled  
Heavy

### Interior

<b>Carpet Condition</b>	OK	<b>Upholstery Condition</b>	OK
<b>Seat Condition</b>	Poor	<b>Odour</b>	Yes
<b>Engine Runs</b>	<b>Fault</b>		