



COMMERCIAL VEHICLE AUCTIONS LTD
THE UK'S MOST ESTABLISHED COMMERCIAL VEHICLE AUCTIONEERS

Carr Hill Industrial Estate
Doncaster
DN4 8DE

01302 732600 | cva.noreply@cva-auctions.co.uk

VEHICLE INSPECTION REPORT

DX70TFY

Daf LF 180

| Inspection | | Vehicle | |
|-----------------|----|---------|-----------|
| Serious Damage? | No | VAT | Plus VAT |
| | | V5 | To Follow |

Details

| | | | | | |
|-----------|----------------------|------------|-------------------|-----------------|---------|
| Reg. date | 22/10/2020 | GVW | 7500kg | Cab Type | DAY CAB |
| Year | 2020 | Colour | WHITE | Gearbox | MANUAL |
| Mileage | 126,981 Km Warranted | VIN | XLRAEL1500L495119 | Rear Suspension | Steel |
| Fuel Type | Diesel | Body Style | Box Van | | |

WARNING LIGHTS ON DASH

Tyres

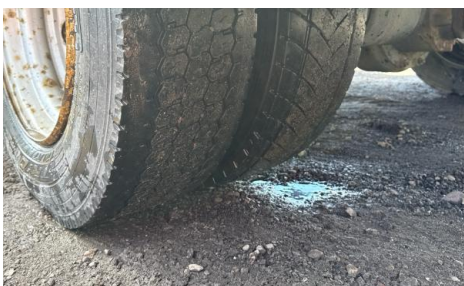
| | | | | |
|-------|------|------|------|------|
| NSF | NSI1 | NSI2 | NSI3 | NSI4 |
| OSF | OSI1 | OSI2 | OSI3 | OSI4 |
| Spare | NSO1 | NSO2 | NSO3 | NSO4 |
| | OSO1 | OSO2 | OSO3 | OSO4 |

Features

- Bluetooth connection
- Central locking
- Cruise control
- Cloth seat trim
- Digital radio
- Front electric windows

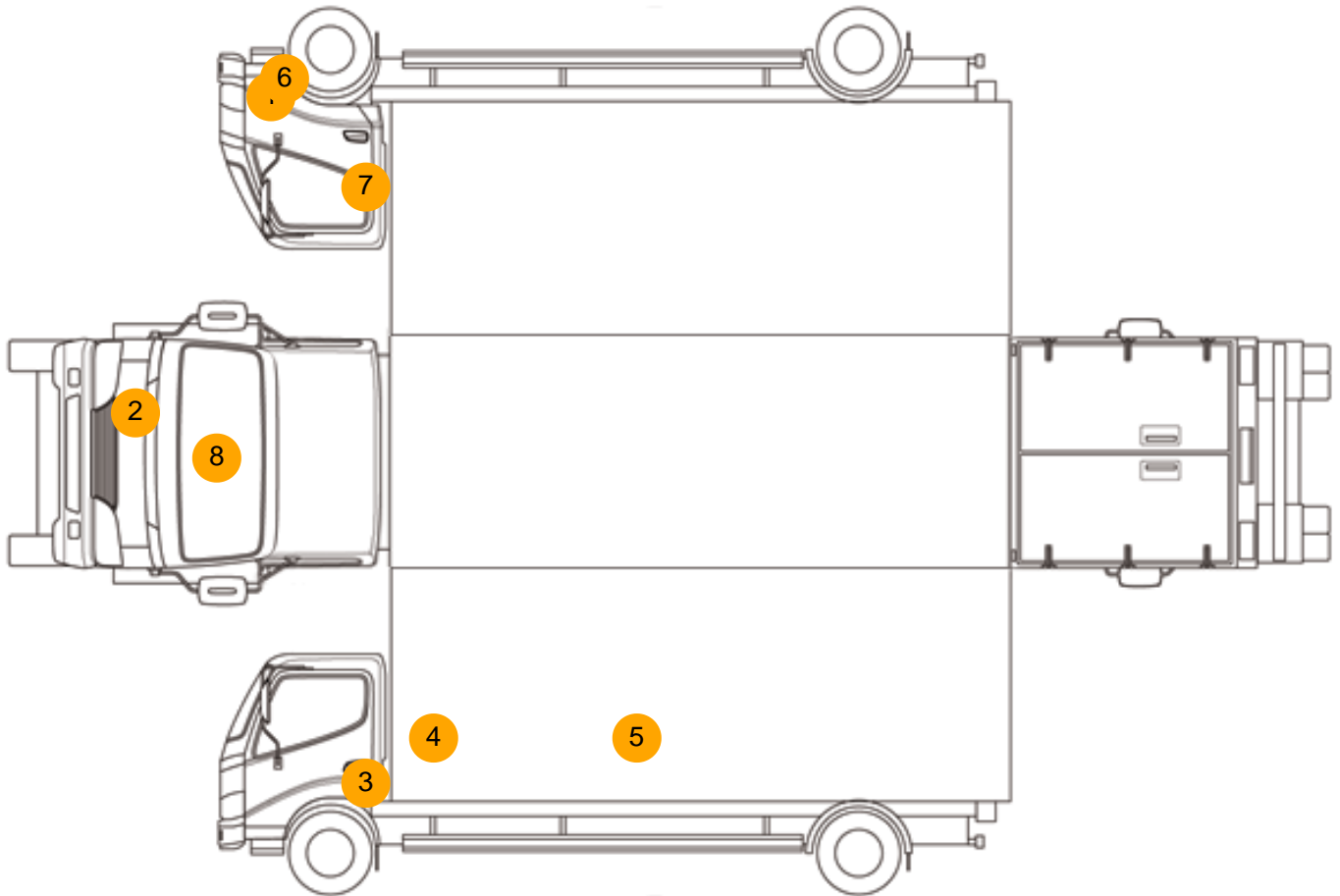
Photos







Condition Check



Damage Photos



1: Bumper Front
Scratched
Over 100mm Thru Paint

2: Bonnet
Cracked
Replace



3: Door nsf
Chipped
Multiple Chips

4: Qtr Panel nsr
Scratched
Over 25mm Thru Paint



5: Qtr Panel nsr
Scratched
Over 25mm Not Thru Paint

6: Bumper Front Moulding
Broken
Replace



7: Door osf
Scratched
Over 25mm Thru Paint

8: Screen Front
Cracked
Replace



9: Door Pad osf
Soiled
Heavy

Interior

Carpet Condition

OK

Upholstery Condition

Poor

Seat Condition

OK

Odour

-

| | | | |
|-----------------------|----|-----------------------|----|
| Engine Runs | OK | No Excessive Smoking | OK |
| EML light illuminated | OK | DPF light illuminated | OK |
| ABS light illuminated | OK | | |