



COMMERCIAL VEHICLE AUCTIONS LTD
THE UK'S MOST ESTABLISHED COMMERCIAL VEHICLE AUCTIONEERS

Carr Hill Industrial Estate
Doncaster
DN4 8DE

01302 732600 | cva.noreply@cva-auctions.co.uk

VEHICLE INSPECTION REPORT

DX70TFN

Daf LF 180

Inspection		Vehicle	
Serious Damage?	No	VAT	Plus VAT
		V5	To Follow

Details

Reg. date	28/10/2020	Colour	WHITE	Axle Combi	4x2
Year	2020	VIN	XLRAEL1500L495109	Rear Suspension	Steel
Mileage	171,650 Km Warranted	Body Style	Box Van	Rear Doors	Roller
Fuel Type	Diesel	Cab Type	DAY CAB	Tail Lift	Column
GVW	7500kg	Gearbox	MANUAL		

ONLY RUNS WITH BOOST PACK, WARNING LIGHTS ON DASH

Tyres

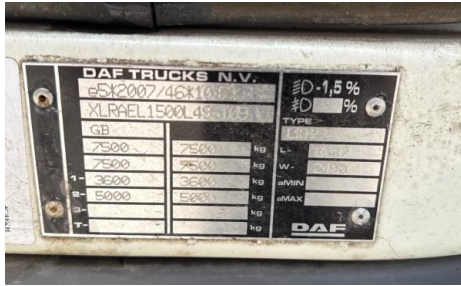
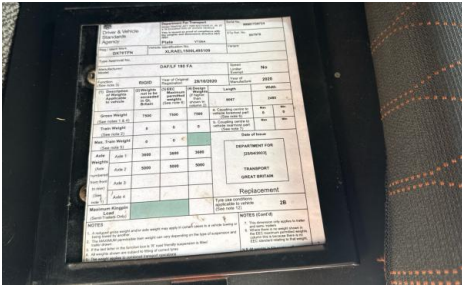
NSF	NSI1	NSI2	NSI3	NSI4
OSF	OSI1	OSI2	OSI3	OSI4
Spare	NSO1	NSO2	NSO3	NSO4
	OSO1	OSO2	OSO3	OSO4

Features

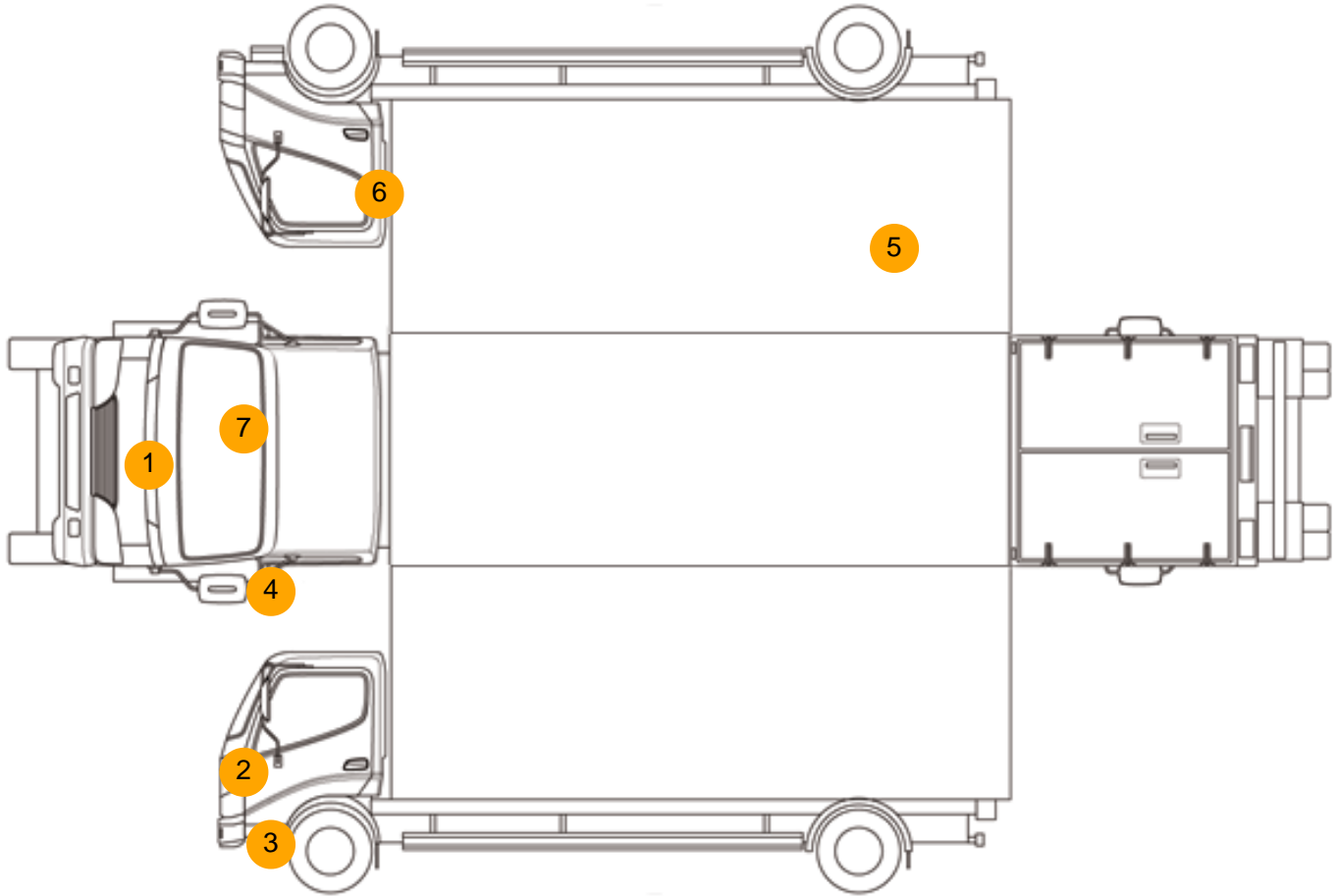
- Bluetooth connection
- Central locking
- Cruise control
- Cloth seat trim
- Digital radio
- Front electric windows

Photos





Condition Check



Damage Photos



1: Bonnet
Chipped
Multiple Chips



2: Panel Front
Scratched
Over 25mm Thru Paint



3: Bumper Front
Scratched
Over 100mm Thru Paint

4: Door Mirror Assy nsf
Scuffed (Unpainted)
Over 100mm



5: Qtr Panel osr
Scratched
Over 25mm Thru Paint

6: Door osf
Scratched
Over 25mm Thru Paint



7: Screen Front
Chipped
UpTo 10mm

8: Door Pad osf
Soiled
Heavy



9: Seat Base Cover osf
Soiled
Heavy

10: Seat Base Cover nsf
Soiled
Heavy

Interior

Carpet Condition OK
Seat Condition Poor

Upholstery Condition Poor
Odour -

Engine Runs Fault