



COMMERCIAL VEHICLE AUCTIONS LTD
THE UK'S MOST ESTABLISHED COMMERCIAL VEHICLE AUCTIONEERS

Carr Hill Industrial Estate
Doncaster
DN4 8DE

01302 732600 | cva.noreply@cva-auctions.co.uk

VEHICLE INSPECTION REPORT

HX18VTY

Fiat Ducato 35 2.3 Multijet II 130PS

Inspection

Serious Damage? No

Vehicle

VAT Plus VAT

V5 To Follow

Details

Reg. date	27/04/2018	VIN	ZFA25000002G11982	Gearbox	MANUAL
Year	2018	Body Style	Dropside LWB	Gears	6
Mileage	64,994 Miles Not Warranted	MOT Due	Expired	Axle Combi	4x2
Fuel Type	Diesel	CAP Clean	£6,125.00	Rear Suspension	Steel
GVW	3500kg	CAP Average	£5,175.00	Tail Lift	Column
Colour	WHITE	CAP Below	£3,925.00		

COLLECTED AS NON RUNNER - START AND DRIVES - ENGINE ROUGH 110V OUTLET, PIPEWORK FOR COMPRESSOR

Tyres

NSF

NSR

OSF

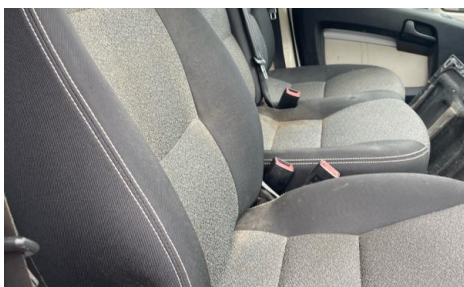
OSR

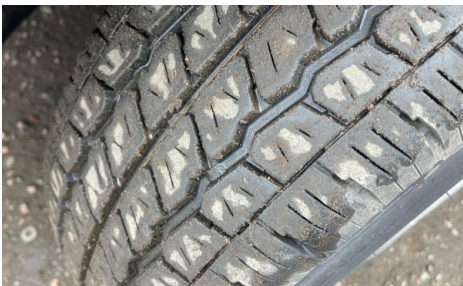
Spare

Features

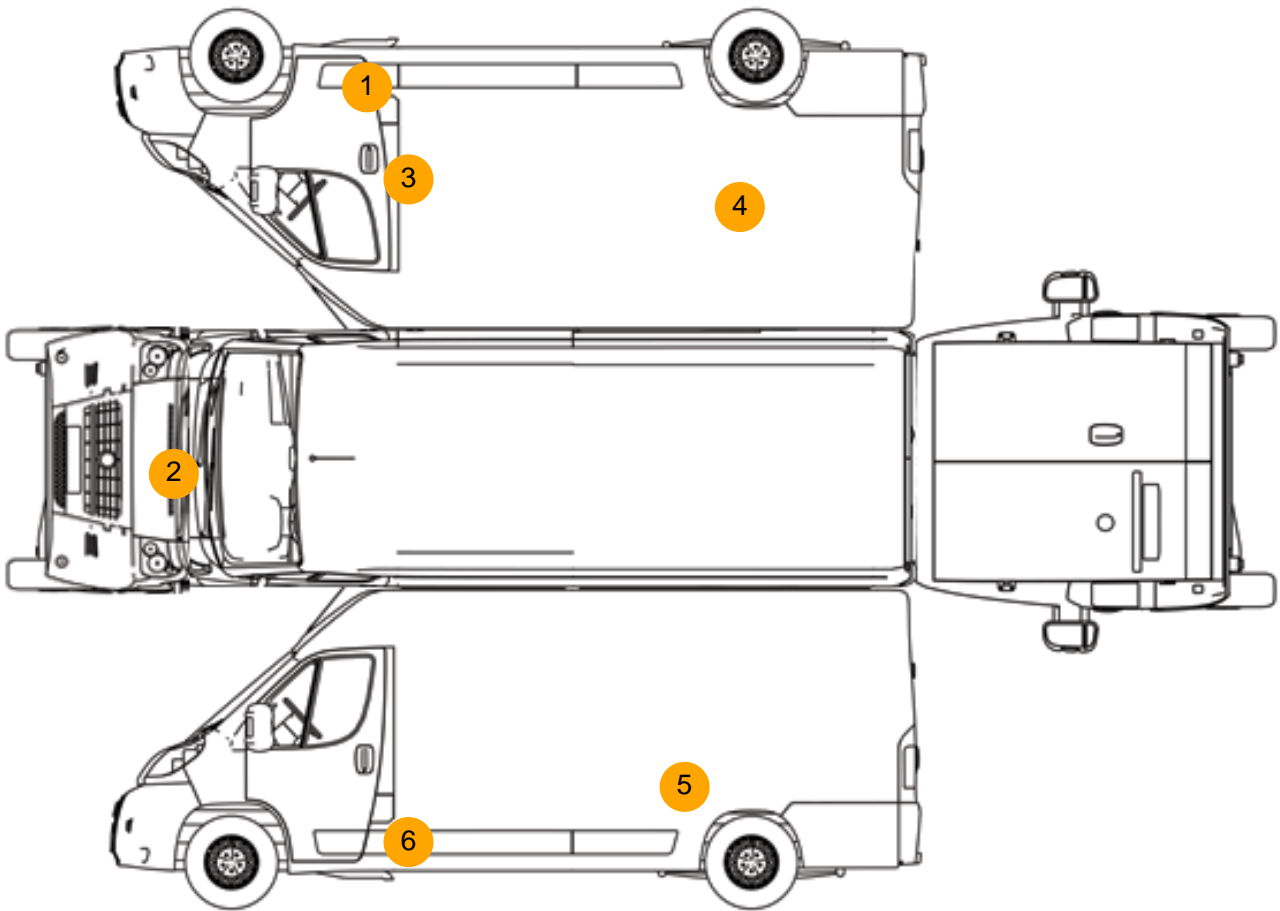
- Bluetooth connection
- Front electric windows
- Drivers airbag
- Cloth seat trim

Photos





Condition Check



Damage Photos



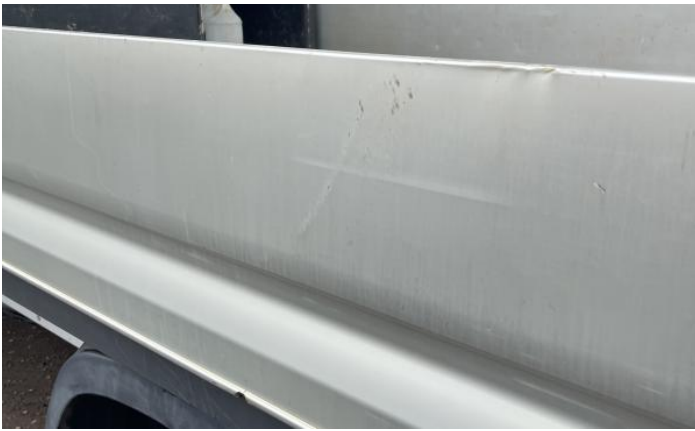
1: Sill os
Scratched
Over 25mm Thru Paint

2: Bonnet
Dented
With Paint Damage



3: Door osf
Dented
With Paint Damage

4: Qtr Panel osr
Dented
With Paint Damage



5: Qtr Panel nsr
Dented
With Paint Damage

6: Qtr Panel Moulding ns
Missing
Replace

Interior

Carpet Condition	Average	Upholstery Condition	Average
Seat Condition	Average	Odour	No
Engine Runs	OK	Gearbox 1st and Reverse Test	OK
Brakes	OK	Clutch Slip Test from Static	OK
Turbo Boosting	OK	Gearbox Static Gear Selection (engine running)	OK
Parking Brake	OK	No Excessive Smoking	OK
EML light illuminated	OK	Oil warning light illuminated	OK
Airbag light illuminated	OK	DPF light illuminated	OK
ABS light illuminated	OK	Service indicator light illuminated	OK

Windows

OK

Radio

OK

Steering

OK