



COMMERCIAL VEHICLE AUCTIONS LTD
THE UK'S MOST ESTABLISHED COMMERCIAL VEHICLE AUCTIONEERS

Carr Hill Industrial Estate
Doncaster
DN4 8DE

01302 732600 | cva.noreply@cva-auctions.co.uk

VEHICLE INSPECTION REPORT

DX70TFJ

Daf LF 180

Inspection

Serious Damage? No

Vehicle

VAT Plus VAT
V5 To Follow

Details

Reg. date	28/10/2020	Colour	WHITE	Gearbox	MANUAL
Year	2020	VIN	XLRAEL1500L495035	Axle Combi	4x2
Mileage	194,641 Km Warranted	Body Style	Box Van	Rear Suspension	Steel
Fuel Type	Diesel	MOT Due	30/11/2026	Rear Doors	Roller
GVW	7500kg	Cab Type	DAY CAB	Tail Lift	Column

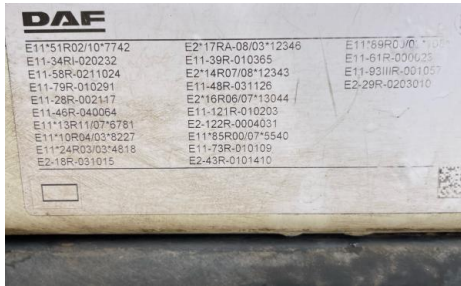
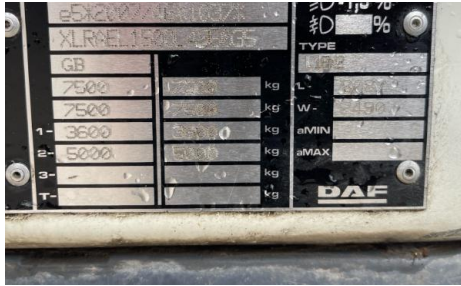
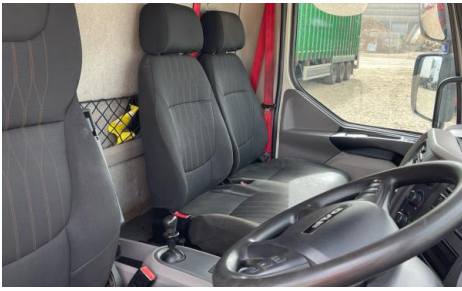
WARNING LIGHT ON DASH

Tyres

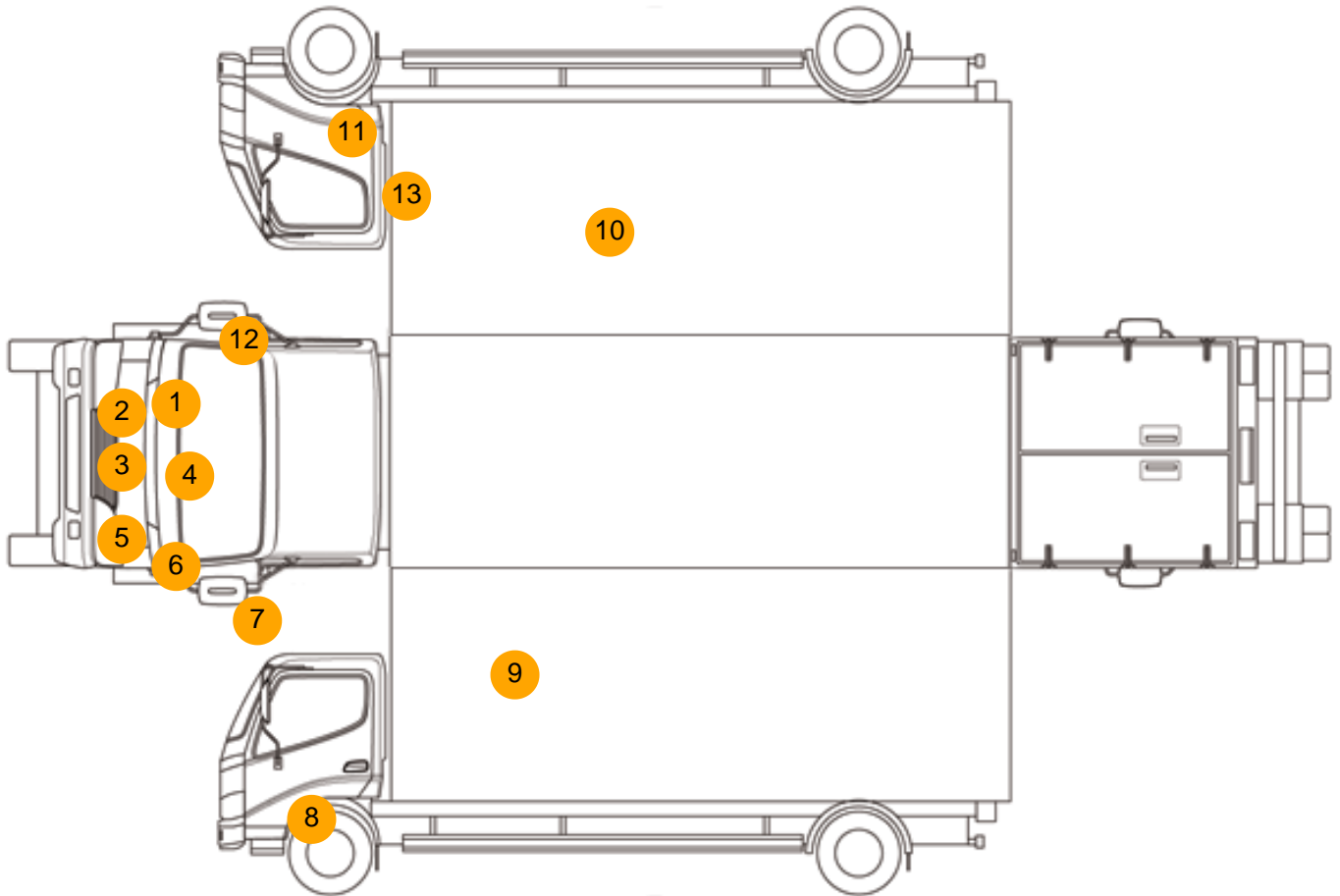
NSF	NSI1	NSI2	NSI3	NSI4
OSF	OSI1	OSI2	OSI3	OSI4
Spare	NSO1	NSO2	NSO3	NSO4
	OSO1	OSO2	OSO3	OSO4

Photos





Condition Check



Damage Photos



1: Wing of
Scratched
Over 25mm Thru Paint



2: Bumper Front
Scratched
25 to 100mm Thru Paint



3: Bumper Front
Rusted
Over 5mm

4: Bonnet
Chipped
Multiple Chips



5: Bumper Front
Scratched
Over 100mm Thru Paint

6: Wing nsf
Chipped
1 To 5



7: Door Mirror Assy nsf
Scuffed (Unpainted)
Over 100mm

8: Wing Front Arch Extension ns
Scuffed (Unpainted)
Over 100mm



9: Qtr Panel nsr
Scratched
Over 25mm Not Thru Paint

10: Qtr Panel osr
Scratched
Over 25mm Not Thru Paint



11: Wing Front Arch Extension os
Scuffed (Unpainted)
Over 100mm

12: Door Mirror Assy osf
Scuffed (Unpainted)
Over 100mm



13: Door osf
Chipped
Edge Chip

Interior

Carpet Condition	Average	Upholstery Condition	Average
Seat Condition	Average	Odour	-
Engine Runs	OK	Gearbox 1st and Reverse Test	OK
Brakes	OK	Clutch Slip Test from Static	OK
Parking Brake	OK	Gearbox Static Gear Selection (engine running)	OK
		No Excessive Smoking	OK
EML light illuminated	OK	Oil warning light illuminated	OK
Airbag light illuminated	OK	DPF light illuminated	OK
ABS light illuminated	OK	Service indicator light illuminated	OK